

DEWALT®

www.DEWALT.eu

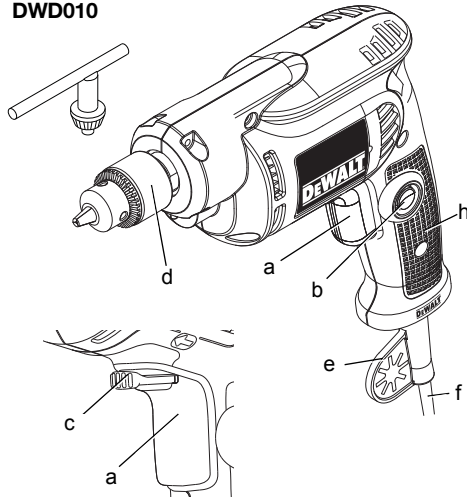
DWD010
DWD014
DWD014S

English (<i>original instructions</i>)	4
Français (<i>traduction de la notice d'instructions originale</i>)	11
العربية (مترجم عن التعليمات الأصلية)	19

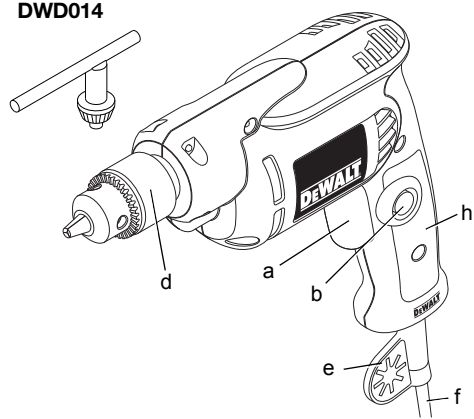
Figure 1

شكل 1

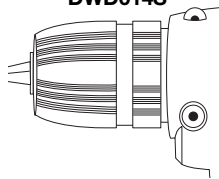
DWD010



DWD014



DWD014S



DWD014, DWD014S

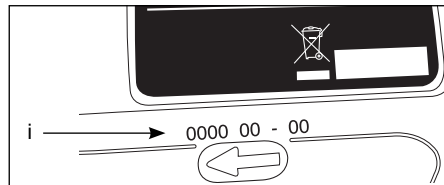
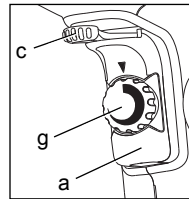


Figure 2
شکل 2

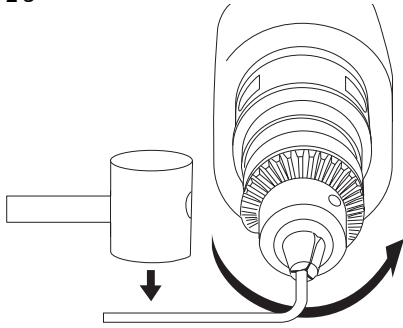


Figure 3
شکل 3

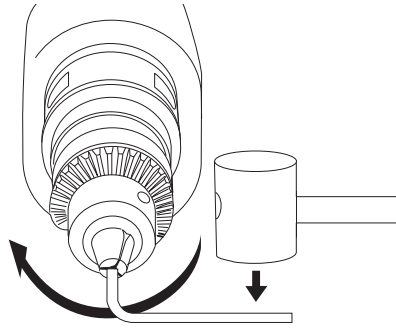


Figure 4
شکل 4

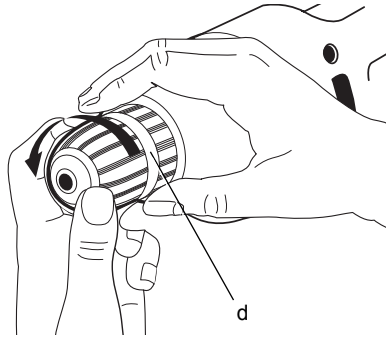


Figure 5
شکل 5

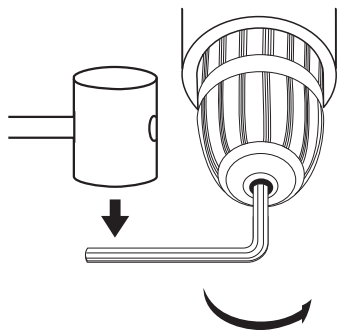


Figure 6
شکل 6

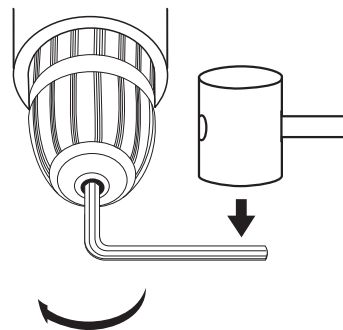
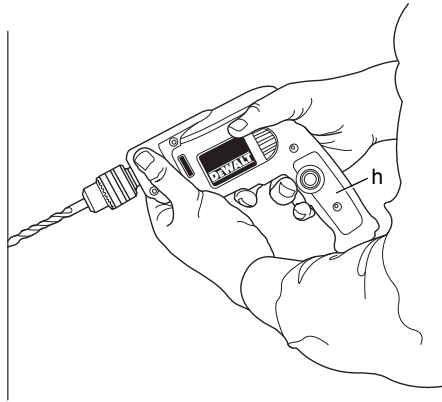


Figure 7
شكل 7



VARIABLE SPEED REVERSIBLE DRILL

DWD010, DWD014, DWD014S

Congratulations!

You have chosen a DEWALT tool. Years of experience, thorough product development and innovation make DEWALT one of the most reliable partners for professional power tool users.

Technical Data

		DWD010	DWD014	DWD014S
Voltage	V	220/240	220/240	220/240
	V	120	120	120
Type		1	1	1
Power input	W	380	550	550
No load speed	/min	0–3600	0–2800	0–2800
Maximum drilling range				
	steel/wood	mm	6.5/16	10/25
Torque	Nm	3.9	7.9	7.9
Chuck spindle				
thread size	UNF	3/8" x 24	1/2" x 20	1/2" x 20
Maximum chuck				
capacity	mm	6.5	10	10
Weight	kg	1.16	1.3	1.3

Definitions: Safety Guidelines

The definitions below describe the level of severity for each signal word. Please read the manual and pay attention to these symbols.



DANGER: Indicates an imminently hazardous situation which, if not avoided, **will** result in **death or serious injury**.



WARNING: Indicates a potentially hazardous situation which, if not avoided, **could** result in **death or serious injury**.



CAUTION: Indicates a potentially hazardous situation which, if not avoided, **may** result in **minor or moderate injury**.

NOTICE: Indicates a practice **not related to personal injury** which, if not avoided, **may** result in **property damage**.



Denotes risk of electric shock.



Denotes risk of fire.



WARNING: To reduce the risk of injury, read the instruction manual.

General Power Tool Safety Warnings



WARNING! Read all safety warnings and instructions Failure to follow the warnings and instructions may result in electric shock, fire and/or serious injury.

SAVE ALL WARNINGS AND INSTRUCTIONS FOR FUTURE REFERENCE

The term "power tool" in the warnings refers to your mains-operated (corded) power tool or battery-operated (cordless) power tool.

1) WORK AREA SAFETY

- Keep work area clean and well lit.** Cluttered or dark areas invite accidents.
- Do not operate power tools in explosive atmospheres, such as in the presence of flammable liquids, gases or dust.** Power tools create sparks which may ignite the dust or fumes.
- Keep children and bystanders away while operating a power tool.** Distractions can cause you to lose control.

2) ELECTRICAL SAFETY

- a) **Power tool plugs must match the outlet. Never modify the plug in any way. Do not use any adapter plugs with earthed (grounded) power tools.** Unmodified plugs and matching outlets will reduce risk of electric shock.
- b) **Avoid body contact with earthed or grounded surfaces such as pipes, radiators, ranges and refrigerators.** There is an increased risk of electric shock if your body is earthed or grounded.
- c) **Do not expose power tools to rain or wet conditions.** Water entering a power tool will increase the risk of electric shock.
- d) **Do not abuse the cord. Never use the cord for carrying, pulling or unplugging the power tool. Keep cord away from heat, oil, sharp edges or moving parts.** Damaged or entangled cords increase the risk of electric shock.
- e) **When operating a power tool outdoors, use an extension cord suitable for outdoor use.** Use of a cord suitable for outdoor use reduces the risk of electric shock.
- f) **If operating a power tool in a damp location is unavoidable, use a residual current device (RCD) protected supply.** Use of an RCD reduces the risk of electric shock.

3) PERSONAL SAFETY

- a) **Stay alert, watch what you are doing and use common sense when operating a power tool. Do not use a power tool while you are tired or under the influence of drugs, alcohol or medication.** A moment of inattention while operating power tools may result in serious personal injury.
- b) **Use personal protective equipment. Always wear eye protection.** Protective equipment such as dust mask, non-skid safety shoes, hard hat, or hearing protection used for appropriate conditions will reduce personal injuries.
- c) **Prevent unintentional starting. Ensure the switch is in the off position before connecting to power source and/or battery pack, picking up or carrying the tool.** Carrying power tools with your finger on the switch or energising power tools that have the switch on invites accidents.
- d) **Remove any adjusting key or wrench before turning the power tool on.** A wrench or a key left attached to a rotating part of the power tool may result in personal injury.

- e) **Do not overreach. Keep proper footing and balance at all times.** This enables better control of the power tool in unexpected situations.
- f) **Dress properly. Do not wear loose clothing or jewellery. Keep your hair, clothing and gloves away from moving parts.** Loose clothes, jewellery or long hair can be caught in moving parts.
- g) **If devices are provided for the connection of dust extraction and collection facilities, ensure these are connected and properly used.** Use of dust collection can reduce dust-related hazards.

4) POWER TOOL USE AND CARE

- a) **Do not force the power tool. Use the correct power tool for your application.** The correct power tool will do the job better and safer at the rate for which it was designed.
- b) **Do not use the power tool if the switch does not turn it on and off.** Any power tool that cannot be controlled with the switch is dangerous and must be repaired.
- c) **Disconnect the plug from the power source and/or the battery pack from the power tool before making any adjustments, changing accessories, or storing power tools.** Such preventive safety measures reduce the risk of starting the power tool accidentally.
- d) **Store idle power tools out of the reach of children and do not allow persons unfamiliar with the power tool or these instructions to operate the power tool.** Power tools are dangerous in the hands of untrained users.
- e) **Maintain power tools. Check for misalignment or binding of moving parts, breakage of parts and any other condition that may affect the power tool's operation. If damaged, have the power tool repaired before use.** Many accidents are caused by poorly maintained power tools.
- f) **Keep cutting tools sharp and clean.** Properly maintained cutting tools with sharp cutting edges are less likely to bind and are easier to control.
- g) **Use the power tool, accessories and tool bits etc., in accordance with these instructions taking into account the working conditions and the work to be performed.** Use of the power tool for operations different from those intended could result in a hazardous situation.

ENGLISH

5) SERVICE

- a) **Have your power tool serviced by a qualified repair person using only identical replacement parts.** This will ensure that the safety of the power tool is maintained.

Additional Specific Safety Rules for Drills

- **Wear ear protectors.** Exposure to noise can cause hearing loss.
- **Hold power tool by insulated gripping surfaces only, when performing an operation where the cutting accessory may contact hidden wiring or its own cord.** Cutting accessory contacting a "live" wire may make exposed metal parts of the power tool "live" and shock the operator.
- **Use clamps or other practical way to secure and support the workpiece to a stable platform.** Holding the work by hand or against your body is unstable and may lead to loss of control.
- **Wear safety goggles or other eye protection.** Drilling operations cause chips to fly. Flying particles can cause permanent eye damage.
- **Bits and tools get hot during operation.** Wear gloves when touching them.
- **Keep handles dry, clean, free from oil and grease. it is recommended to use rubber gloves.** This will enable better control of the tool.

Residual Risks

The following risks are inherent to the use of drills:

- Injuries caused by touching the rotating parts or hot parts of the tool.

In spite of the application of the relevant safety regulations and the implementation of safety devices, certain residual risks cannot be avoided.

These are:

- Impairment of hearing.
- Risk of squeezing fingers when changing accessories.
- Health hazards caused by breathing dust developed when working in wood.
- Risk of personal injury due to flying particles.
- Risk of personal injury due to prolonged use.

Markings on Tool

The following pictograms are shown on the tool:



Read instruction manual before use.



Wear ear protection.



Wear eye protection.

DATE CODE POSITION (FIG. 1)

The date code (i), which also includes the year of manufacture, is printed into the housing.

Example:

2012 XX XX

Year of Manufacture

Package Contents

The package contains:

- 1 Drill
- 1 Chuck key (DWD010, DWD014)
- 1 Instruction manual
- 1 Exploded drawing
- Check for damage to the tool, parts or accessories which may have occurred during transport.
- Take the time to thoroughly read and understand this manual prior to operation.

Description (fig. 1)



WARNING: Never modify the power tool or any part of it. Damage or personal injury could result.

- Variable speed trigger switch
- Lock-on button
- Forward/reverse lever
- Chuck
- Cord protector
- Cord set
- Speed dial (DWD014, DWD014S)
- Main handle
- Date code position

INTENDED USE

These heavy-duty V.S.R. drills are designed for professional drilling.

DO NOT use under wet conditions or in presence of flammable liquids or gases.

These heavy-duty drills are professional power tools.

DO NOT let children come into contact with the tool. Supervision is required when inexperienced operators use this tool.

Electrical Safety

The electric motor has been designed for one voltage only. Always check that the power supply corresponds to the voltage on the rating plate.



Your DEWALT tool is double insulated in accordance with EN 60745; therefore no earth wire is required.



WARNING: 120 V units have to be operated via a fail-safe isolating transformer with an earth screen between the primary and secondary winding.

If the supply cord is damaged, it must be replaced by a specially prepared cord available through the DEWALT service organization.

Mains Plug Replacement (Middle East and Africa)

If a new mains plug needs to be fitted:

- Safely dispose of the old plug.
- Connect the brown lead to the live terminal in the plug.
- Connect the blue lead to the neutral terminal.



WARNING: No connection is to be made to the earth terminal.

Follow the fitting instructions supplied with good quality plugs. Recommended fuse: 13 A.

Using an Extension Cable

If an extension cable is required, use an approved extension cable suitable for the power input of this tool (see **Technical Data**).

The minimum conductor size is 1.5 mm².

When using a cable reel, always unwind the cable completely.

ASSEMBLY AND ADJUSTMENTS



WARNING: To reduce the risk of injury, turn unit off and disconnect machine from power source before installing and removing accessories, before adjusting or changing set-ups or when making repairs. Be sure the trigger switch is in the OFF position. An accidental start-up can cause injury.

Forward/Reverse Lever (fig. 1)

The forward/reverse lever (c) is used for withdrawing bits from tight holes and removing screws. It is located above the trigger switch.

To reverse the motor, release the trigger switch FIRST and then push the lever to the right (viewed when holding the drill in the operating position).

After any reversing operations, return lever to forward position.

Keyed Chuck (fig. 1, 2, 3)

DWD010, DWD014

The DWD010 and the DWD014 feature a keyed chuck (d).

TO INSERT A DRILL BIT OR OTHER ACCESSORY

1. Open the chuck jaws by turning collar by hand and insert the shank of the bit about 19 mm (3/4") into chuck. Tighten the chuck collar by hand.
2. Place chuck key in each of the three holes, and tighten in clockwise direction. It's important to tighten chuck with all three holes.

To release the bit, turn the chuck counterclockwise in just one hole, then loosen the chuck by hand.

REMOVAL OF KEYED CHUCK (FIG. 2)

Tighten the chuck around the shorter end of a hex key. Using a soft hammer, strike the key sharply in the counterclockwise direction when viewed from the front of the tool. This will loosen the chuck so that it can be removed by hand.

KEYED CHUCK INSTALLATION (FIG. 3)

Screw the chuck on by hand as far as it will go. Insert the shorter end of a hex key and strike it in the clockwise direction with a soft hammer.

Keyless Chuck (fig. 1, 4–6)

DWD014S

The DWD014S features a keyless chuck (d) for greater convenience.

TO INSERT A DRILL BIT OR OTHER ACCESSORY

1. Grasp the rear half of the chuck with one hand and use your other hand to rotate the front half counterclockwise, as shown in Figure 4. Rotate far enough so that the chuck opens sufficiently to accept the desired accessory.
2. Insert the bit or other accessory about 19 mm (3/4") into the chuck and tighten securely by holding the rear half of the chuck and rotating the front portion in the clockwise direction. When the chuck is nearly tightened, you

ENGLISH

will hear a clicking sound. After 4–6 clicks, the chuck is securely tightened around the accessory.

3. To release the accessory, repeat step 1 listed above.



WARNING: Do not attempt to tighten drill bits (or any other accessory) by gripping the front part of the chuck and turning the tool on. Damage to the chuck and personal injury may result.

KEYLESS CHUCK REMOVAL (FIG. 5)

Tighten the chuck around the shorter end of a hex key (not supplied). Using a soft hammer or piece of wood, strike the longer end in the counterclockwise direction. This will loosen the chuck so that it can be unscrewed by hand.

KEYLESS CHUCK INSTALLATION (FIG. 6)

Screw the chuck on by hand as far as it will go. Tighten the chuck around the shorter end of a hex key (not supplied) and strike the longer end in the clockwise direction with a soft hammer.

OPERATION

Instructions for Use



WARNING: Always observe the safety instructions and applicable regulations.

Trigger Switch (fig. 1)

To start the drill, depress the trigger switch; to stop the drill, release the trigger switch.

NOTE: Use lower speeds for starting holes without a center punch, drilling in metal or plastics, driving screws or drilling ceramics. Higher speeds are better for drilling wood and composition boards and using abrasive and polishing accessories.

VARIABLE SPEED

A variable speed trigger switch (a) permits speed control—the farther the trigger is depressed, the higher the speed of the drill.

For continuous operation, press and hold the variable speed switch, move the lock-on button (b) up, then release the switch.

To stop continuous operation, press the switch briefly and release it. Always switch the tool off when work is finished and before unplugging.

Speed Dial (fig. 1)

DWD014, DWD014S

To reduce the speed, turn the speed dial (g) counterclockwise. To increase speed, turn the dial clockwise.

Proper Hand Position (fig. 7)



WARNING: To reduce the risk of serious personal injury, **ALWAYS** use proper hand position as shown in figure 7.



WARNING: To reduce the risk of serious personal injury, **ALWAYS** hold securely in anticipation of a sudden reaction.

Proper hand position requires one hand under the the housing, with the other hand on the main handle (h).

Drilling



WARNING: To reduce the risk of serious personal injury, **turn tool off and disconnect tool from power source before making any adjustments or removing/installing attachments or accessories.**



WARNING: To reduce the risk of personal injury, **ALWAYS** ensure workpiece is anchored or clamped firmly. If drilling thin material, use a wood “back-up” block to prevent damage to the material.

1. Use sharp drill bits only. For WOOD, use the low speed setting and twist drill bits, spade bits, power auger bits, or hole saws. For METAL, use the low speed setting and steel twist drill bits or hole saws.
2. Always apply pressure in a straight line with the bit. Use enough pressure to keep drill biting, but do not push hard enough to stall the motor or deflect the bit.
3. Hold tool firmly with both hands to control the twisting action of the drill.



CAUTION: Drill may stall if overloaded causing a sudden twist. Always expect the stall. Grip the drill firmly to control the twisting action and avoid injury.

4. **IF DRILL STALLS**, it is usually because it is being overloaded or improperly used. **RELEASE TRIGGER IMMEDIATELY**, remove drill bit from work, and determine cause of stalling. **DO NOT CLICK TRIGGER ON AND OFF IN AN ATTEMPT TO START A STALLED DRILL — THIS CAN DAMAGE THE DRILL.**
5. To minimize stalling or breaking through the material, reduce pressure on drill and ease the bit through the last fractional part of the hole.

6. Keep the motor running when pulling the bit back out of a drilled hole. This will help prevent jamming.
7. With variable speed drills there is no need to center punch the point to be drilled. Use a slow speed to start the hole and accelerate by squeezing the trigger harder when the hole is deep enough to drill without the bit skipping out.

DRILLING IN METAL

Start drilling with slow speed and increase to full power while applying firm pressure on the tool. A smooth even flow of metal chips indicates the proper drilling rate. Use a cutting lubricant when drilling metals. The exceptions are cast iron and brass which should be drilled dry.

NOTE: Large [5/16" (8 mm) to 1/2" (13 mm)] holes in steel can be made easier if a pilot hole [5/32" (4 mm) to 3/16" (5 mm)] is drilled first.

DRILLING IN WOOD

Start drilling with slow speed and increase to full power while applying firm pressure on the tool. Holes in wood can be made with the same twist drills used for metal. These bits may overheat unless pulled out frequently to clear chips from the flutes. Work that is apt to splinter should be backed up with a block of wood.

MAINTENANCE

Your DEWALT power tool has been designed to operate over a long period of time with a minimum of maintenance. Continuous satisfactory operation depends upon proper tool care and regular cleaning.



WARNING: To reduce the risk of injury, turn unit off and disconnect machine from power source before installing and removing accessories, before adjusting or changing set-ups or when making repairs. Be sure the trigger switch is in the OFF position. An accidental start-up can cause injury.

Motor Brushes

DEWALT uses an advanced brush system which automatically stops the drill when the brushes wear out. This prevents serious damage to the motor. New brush assemblies are available at authorized DEWALT service centers. Always use identical replacement parts.



Lubrication

Your power tool requires no additional lubrication.



Cleaning



WARNING: Blow dirt and dust out of the main housing with dry air as often as dirt is seen collecting in and around the air vents. Wear approved eye protection and approved dust mask when performing this procedure.



WARNING: Never use solvents or other harsh chemicals for cleaning the non-metallic parts of the tool. These chemicals may weaken the materials used in these parts. Use a cloth dampened only with water and mild soap. Never let any liquid get inside the tool; never immerse any part of the tool into a liquid.

Optional Accessories



WARNING: Since accessories, other than those offered by DEWALT, have not been tested with this product, use of such accessories with this tool could be hazardous. To reduce the risk of injury, only DEWALT, recommended accessories should be used with this product.



CAUTION: To reduce the risk of injury, accessories should be used only in sizes up to the maximums shown in the **Technical Data**.

Consult your dealer for further information on the appropriate accessories.

Protecting the Environment



Separate collection. This product must not be disposed of with normal household waste.

Should you find one day that your DEWALT product needs replacement, or if it is of no further use to you, do not dispose of it with household waste. Make this product available for separate collection.

ENGLISH



Separate collection of used products and packaging allows materials to be recycled and used again. Re-use of recycled materials helps prevent environmental pollution and reduces the demand for raw materials.

Local regulations may provide for separate collection of electrical products from the household, at municipal waste sites or by the retailer when you purchase a new product.

DEWALT provides a facility for the collection and recycling of DEWALT products once they have reached the end of their working life. To take advantage of this service please return your product to any authorised repair agent who will collect them on our behalf.

You can check the location of your nearest authorised repair agent by contacting your local DEWALT office at the address indicated in this manual. Alternatively, a list of authorised DEWALT repair agents and full details of our after-sales service and contacts are available on the Internet at: **www.2helpU.com**.

PERCEUSE RÉVERSIBLE À VITESSE VARIABLE DWD010, DWD014, DWD014S

Félicitations !

Vous avez choisi un outil DEWALT. Des années d'expertise dans le développement et l'innovation de ses produits ont fait de DEWALT, le partenaire privilégié des utilisateurs professionnels d'outils électriques.

Fiche technique

		DWD010	DWD014	DWD014S
Tension	V	220/240	220/240	220/240
Type		1	1	1
Puissance consommée	W	380	550	550
Vitesse à vide	/min	0-3600	0-2800	0-2800
Plage de perçage maximale				
acier/bois	mm	6,5/16	10/25	10/25
Couple	Nm	3,9	7,9	7,9
Diamètre nominal de broche de mandrin	UNF	3/8" x 24	1/2" x 20	1/2" x 20
Capacité maximale de mandrin	mm	6,5	10	10
Poids	kg	1,16	1,3	1,3

Définitions : Consignes de sécurité

Les définitions ci-après décrivent le degré de risques associé à chaque avertissement. Veuillez lire soigneusement ce manuel et respecter ces symboles.



DANGER : Indique une situation de danger imminent qui, si rien n'est fait pour l'éviter, **aura** comme conséquences **la mort ou des dommages corporels graves**.



AVERTISSEMENT : Indique une situation de danger potentiel qui, si rien n'est fait pour l'éviter, **pourra** avoir comme conséquences **la mort ou des dommages corporels graves**.



ATTENTION : Indique une situation de danger potentiel qui, si rien n'est fait pour l'éviter, **pourrait** avoir comme conséquences des **dommages corporels mineurs ou moindres**.

AVIS : indique une pratique ne **posant aucun risque de dommages corporels**, mais qui par contre, si rien n'est fait pour l'éviter, **pourrait** poser des **risques de dommages matériels**.



Signale des risques de décharges électriques.



Signale des risques d'incendie.



AVERTISSEMENT : afin de réduire le risque de blessure, lisez le manuel d'instruction.

Avertissements de sécurité généraux pour les outils électriques



AVERTISSEMENT ! Lisez tous les avertissements de sécurité et toutes les consignes. Le non-respect de ces avertissements et consignes peut entraîner un choc électrique, un incendie et/ou de graves blessures.

CONSERVEZ TOUS LES AVERTISSEMENTS ET LES CONSIGNES POUR RÉFÉRENCE ULTÉRIEURE

Le terme « outil électrique » mentionné dans les avertissements se rapporte aux outils branchés sur secteur (avec câble de raccordement) ou fonctionnant sur piles (sans fil).

1) SÉCURITÉ DE L'AIRE DE TRAVAIL

- Maintenez l'aire de travail propre et bien éclairée.** Une aire de travail encombrée ou mal éclairée augmente les risques d'accident.
- N'utilisez pas les outils électriques dans un environnement explosif, comme en présence de liquides, gaz ou poussières inflammables.** Les outils électriques produisent des étincelles qui peuvent enflammer la poussière ou les émanations.

FRANÇAIS

- c) **Tenez à distance enfants et spectateurs pendant que vous opérez un outil électrique.** Une distraction peut vous faire perdre le contrôle de l'outil.

2) SÉCURITÉ ÉLECTRIQUE

- a) **La fiche de l'outil électrique doit correspondre avec la prise de courant. Ne modifiez en aucun cas la fiche. N'utilisez pas de fiches adaptatrices avec des outils électriques reliés à la terre (masse).** Les fiches non modifiées et les prises de courant adaptées réduisent les risques d'électrocution.
- b) **Évitez tout contact physique avec des surfaces reliées à la terre ou à la masse, tels que tuyaux, radiateurs, cuisinières électriques et réfrigérateurs.** Le risque d'électrocution augmente si votre corps est relié à la terre.
- c) **N'exposez pas les outils électriques à la pluie ou à l'humidité.** Le risque d'électrocution augmente si de l'eau pénètre dans un outil électrique.
- d) **Ne maltraitez pas le cordon d'alimentation. N'utilisez jamais le cordon pour transporter, tirer ou débrancher l'outil électrique. Tenez le cordon à l'écart des sources de chaleur, de l'huile, des bords tranchants ou des pièces en mouvement.** Le risque d'électrocution augmente si le cordon est endommagé ou entortillé.
- e) **Utilisez une rallonge conçue pour l'utilisation à l'extérieur si vous utilisez l'outil électrique dehors.** Le risque d'électrocution diminue si vous utilisez un cordon conçu pour l'utilisation à l'extérieur.
- f) **Si vous ne pouvez pas faire autrement qu'utiliser l'outil électrique dans un endroit humide, utilisez un circuit protégé par dispositif de courant résiduel (RCD).** L'utilisation d'un RCD réduit le risque d'électrocution.

3) SÉCURITÉ PERSONNELLE

- a) **Restez vigilant, surveillez vos gestes et faites preuve de bon sens lorsque vous utilisez un outil électrique. N'utilisez pas un outil électrique si vous êtes fatigué ou sous l'influence de drogues, d'alcool ou de médicaments.** Un moment d'inattention durant l'utilisation d'un outil électrique peut entraîner de graves blessures corporelles.
- b) **Utilisez un équipement de sécurité individuelle. Portez toujours des lunettes de sécurité.** Un équipement de sécurité comme un masque anti-poussières, des

chaussures de sécurité antidérapantes, un casque de sécurité ou un serre-tête antibruit, utilisés selon la tâche à effectuer, permettront de diminuer le risque de blessures corporelles.

- c) **Évitez tout démarrage intempestif. Assurez-vous que l'interrupteur est en position arrêt avant de relier l'outil à la source d'alimentation et/ou au bloc-piles, ou de ramasser ou transporter l'outil.** Transporter les outils électriques le doigt placé sur l'interrupteur ainsi que brancher des outils électriques dont l'interrupteur est en position Marche augmentent les risques d'accident.
- d) **Retirez toute clé de réglage ou autre avant de mettre l'outil sous tension.** Une clé laissée en place sur une pièce rotative de l'outil électrique peut entraîner des blessures corporelles.
- e) **Ne vous penchez pas trop loin. Maintenez constamment votre équilibre.** Vous aurez ainsi une meilleure maîtrise de l'outil électrique en cas de situations imprévues.
- f) **Portez des vêtements adéquats. Ne portez pas de vêtements amples ni de bijoux. Maintenez cheveux, vêtements et gants à l'écart des pièces en mouvement.** Les pièces en mouvement peuvent happer les vêtements amples, les bijoux et les cheveux longs.
- g) **Si des accessoires sont fournis pour raccorder des dispositifs d'aspiration et de collecte de la poussière, vérifiez qu'ils sont bien raccordés et bien utilisés.** L'utilisation de dispositifs de collecte de la poussière peut réduire les risques liés à la poussière.

4) UTILISATION ET ENTRETIEN DES OUTILS ÉLECTRIQUES

- a) **Ne forcez pas l'outil électrique. Utilisez l'outil électrique qui correspond à votre utilisation.** Si vous utilisez l'outil électrique adéquat et respectez le régime pour lequel il a été conçu, il réalisera un travail de meilleure qualité et plus sûr.
- b) **N'utilisez pas l'outil électrique s'il est impossible de l'allumer ou de l'éteindre avec l'interrupteur.** Un outil électrique qui ne peut être contrôlé par l'interrupteur représente un danger et doit être réparé.
- c) **Débranchez la fiche de la source d'alimentation et/ou le bloc-piles de l'outil électrique avant d'effectuer des réglages, de changer les accessoires ou de ranger les outils électriques.** Ces mesures de sécurité préventives réduiront les risques de démarrage accidentel de l'outil électrique.

- d) **Après utilisation, rangez l'outil électrique hors de portée des enfants et ne laissez aucune personne l'utiliser si elle n'est pas familiarisée avec les outils électriques ou ces instructions.** Les outils électriques représentent un danger entre des mains inexpertes.
- e) **Procédez à l'entretien des outils électriques. Assurez-vous que les pièces en mouvement ne sont pas désalignées ou coincées, qu'aucune pièce n'est cassée ou que l'outil électrique n'a subi aucun dommage pouvant affecter son bon fonctionnement. Si l'outil électrique est endommagé, faites-le réparer avant de le réutiliser.** De nombreux accidents sont causés par des outils mal entretenus.
- f) **Maintenez vos outils affûtés et propres.** Un outil bien entretenu et aux bords bien affûtés risquera moins de se coincer et sera plus facile à maîtriser.
- g) **Utilisez l'outil électrique, ses accessoires et ses embouts, etc. conformément aux instructions, en tenant compte des conditions de travail et de la tâche à effectuer.** L'utilisation d'un outil électrique à des fins autres que celles prévues est potentiellement dangereuse.

5) RÉPARATION

- a) **Confiez la réparation de votre outil électrique à un réparateur qualifié qui utilise des pièces de rechange identiques.** La sécurité de l'outil électrique sera ainsi préservée.

Règles de sécurité particulières additionnelles propres aux perceuses

- **Porter un dispositif de protection auditif.** Le bruit en résultant pourrait occasionner une perte de l'acuité auditive.
- **Tenir l'outil par les surfaces isolées prévues à cet effet pendant toute utilisation où l'organe de coupe pourrait entrer en contact avec des fils électriques cachés ou son propre cordon (boulon).** Tout contact de l'organe de coupe avec un fil sous tension met les parties métalliques exposées de l'outil sous tension et électrocute l'utilisateur.
- **Utiliser des serre-joints, ou tout autre moyen, pour fixer et immobiliser le matériau sur une surface stable.** Tenir la pièce à la main ou contre le corps offre une stabilité insuffisante qui pourrait en faire perdre le contrôle par l'utilisateur.

- **Porter des lunettes de protection ou tout autre dispositif de protection oculaire.** Le perçage produit des particules volantes. Ces particules peuvent causer des dommages oculaires permanents.
- **Les mèches et les outils chauffent pendant leur utilisation.** Porter des gants pour les manipuler.
- **Maintenir les poignées propres et sèches, exempts d'huile ou de graisse. Il est recommandé d'utiliser des gants en caoutchouc.** Cela permettra à l'utilisateur une prise plus solide de l'outil.

Risques résiduels

Les risques suivants sont inhérents à l'utilisation des perceuses :

- *Dommages corporels par contact avec les pièces rotatives ou des parties brûlantes de l'outil.*

En dépit de l'application des normes de sécurité en vigueur et de l'installation de dispositifs de sécurité, certains risques résiduels sont inévitables. Ce sont :

- *Diminution de l'acuité auditive.*
- *Risques de se pincer les doigts lors du changement d'accessoires.*
- *Risques pour la santé causés par la respiration de poussières dégagées lors du travail du bois.*
- *Risques de dommages corporels dus à des projections de particules.*
- *Risques de dommages corporels dus à un usage prolongé.*

Étiquettes sur l'appareil

On trouve les diagrammes suivants sur l'appareil :



Lire la notice d'instructions avant toute utilisation.



Porter un dispositif de protection auditive.



Porter un dispositif de protection oculaire.

EMPLACEMENT DE LA DATE CODÉE DE FABRICATION (FIG. 1)

La date codée de fabrication (i), qui comprend aussi l'année de fabrication, est imprimée sur le boîtier.

Exemple :

2012 XX XX
Année de fabrication

Contenu de l'emballage

Ce carton comprend :

- 1 Perceuse
- 1 clé de mandrin (DWD010, DWD014)
- 1 Notice d'instructions
- 1 Dessin éclaté
 - Vérifier que l'appareil et ses pièces ou accessoires n'ont pas été endommagés lors du transport.
 - Prendre le temps de lire attentivement et comprendre cette notice d'instructions avant toute utilisation de l'appareil.

Description (fig. 1)



AVERTISSEMENT : Ne jamais modifier l'outil électrique ni aucun de ses composants, car cela poserait des risques de dommages corporels ou matériels.

- a. Gâchette à vitesse variable
- b. Bouton de verrouillage en position de marche
- c. Levier de marche avant/arrière
- d. Mandrin
- e. Protège cordon
- f. Cordon amovible
- g. Cadran de vitesse (DWD014, DWD014S)
- h. Poignée principale
- i. Emplacement de la date codée de fabrication

UTILISATION PRÉVUE

Ces perceuses industrielles R.V.V. ont été conçues pour le perçage professionnel.

NE PAS les utiliser en milieu humide ou en présence de gaz ou de liquides inflammables.

Ces perceuses industrielles sont des outils de professionnels.

NE PAS les laisser à la portée des enfants. Une supervision est nécessaire auprès de tout utilisateur non expérimenté.

Sécurité électrique

Le moteur électrique a été conçu pour fonctionner sur une tension unique. Vérifier systématiquement que la tension du secteur correspond bien à la tension indiquée sur la plaque signalétique.



Cet outil DEWALT à double isolation est conforme à la norme EN 60745, aussi un branchement à la terre n'est pas nécessaire.

Si le cordon fourni est endommagé, le remplacer par un cordon spécialement fabriqué à cet effet et disponible auprès des services DEWALT.

(CH) Toujours utiliser la fiche prescrite lors du remplacement du câble d'alimentation.

Type 11 pour la classe II
(Isolation double) -outils

Type 12 pour la classe I
(Conducteur de terre) - outils

(CH) En cas d'utilisation à l'extérieur, connecter les outils portatifs à un disjoncteur FI.

Remplacement de la fiche d'alimentation (Moyen-Orient et Afrique)

Si une nouvelle fiche d'alimentation doit être montée :

- Mettre soigneusement au rebut l'ancienne fiche.
- Raccorder le fil marron à la borne de phase dans la fiche.
- Raccorder le fil bleu à la borne de neutre.



AVERTISSEMENT : aucun branchement ne doit être fait à la borne de terre.

Suivez les instructions de montage fournies avec des fiches de bonne qualité. Fusible recommandé : 13 A.

Utilisation de rallonge

Si une rallonge s'avère nécessaire, utiliser une rallonge homologuée et compatible avec la tension nominale de cet outil (se reporter à la section **Fiche technique**).

La section minimum du conducteur est de 1,5 mm².

En cas d'utilisation d'un dévidoir de câble, dérouler systématiquement le câble sur toute sa longueur.

MONTAGE ET RÉGLAGES



AVERTISSEMENT : Pour réduire tout risque de dommages corporels, arrêter l'outil et débrancher l'appareil du secteur avant d'installer ou de retirer tout accessoire, avant tout réglage ou changement de configuration ou lors de réparations. S'assurer que la gâchette est bien en position d'ARRÊT. Un démarrage accidentel pourrait causer des dommages corporels.

Levier de marche avant/arrière (fig. 1)

Le levier de marche avant/arrière (c) est utilisé pour retirer les mèches de trous étroits ou pour dévisser des vis. Il est situé au-dessus de la gâchette.

Pour mettre le moteur en marche arrière, relâchez D'ABORD la gâchette, puis poussez le levier vers la droite (alors que vous tenez la perceuse en position de perçage).

Remettez le levier en marche avant après toute opération en marche arrière.

Mandrin à clé (fig. 1, 2, 3)

DWD010, DWD014

La DWD010 et la DWD014 sont équipées d'un mandrin à clé (d).

POUR INSÉRER UNE MÈCHE OU TOUT AUTRE ACCESSOIRE

1. Ouvrez les mâchoires du mandrin en faisant tourner la bague manuellement puis y insérer l'arbre de la mèche sur une longueur d'environ 19 mm (3/4"). Resserrez la bague du mandrin manuellement.
2. Insérez la clé de mandrin dans chacun des trois trous puis serrez vers la droite. Il est important de serrer le mandrin à l'aide des trois trous.

Pour libérer la mèche, faites tourner le mandrin vers la gauche dans un seul trou, puis desserrez le mandrin manuellement.

RETRAIT DU MANDRIN À CLÉ (FIG. 2)

Resserrez le mandrin sur l'embout le plus court d'une clé hexagonale. À l'aide d'un marteau souple, donnez un coup sec sur la clé vers la gauche (lorsqu'on se trouve face à l'avant de l'outil). Cela desserrera le mandrin et permettra de le retirer manuellement.

INSTALLATION DU MANDRIN À CLÉ (FIG. 3)

Vissez à fond le mandrin manuellement. Insérez l'embout le plus court d'une clé hexagonale et lui donner un coup vers la droite à l'aide d'un marteau souple.

Mandrin automatique (fig. 1, 4–6)

DWD014S

Pour un ajout de fonctionnalité, le modèle DWD014S est équipé d'un mandrin automatique (d).

POUR INSÉRER UNE MÈCHE OU TOUT AUTRE ACCESSOIRE

1. Attrapez la moitié arrière du mandrin d'une main tout en tournant la moitié avant vers la gauche, comme illustré en figure 4. Tournez

assez loin pour assurer que le mandrin s'ouvre suffisamment pour accepter l'accessoire désiré.

2. Insérez la mèche, ou tout autre accessoire, d'environ 19 mm (3/4") dans le mandrin puis resserrez fermement en vissant l'avant du mandrin vers la droite tout en maintenant sa moitié arrière. Lorsque le mandrin sera presque complètement reserré, un clic se fera entendre. Après 4 à 6 clics, le mandrin sera solidement reserré autour de l'accessoire.
3. Pour libérer l'accessoire, répétez l'étape 1 ci-dessus.



AVERTISSEMENT : Ne pas essayer de resserrer les mèches (ou tout autre accessoire) en agrippant la partie avant du mandrin tout en mettant l'outil en marche. Cela pourrait endommager le mandrin et poser des risques de dommages corporels.

RETRAIT DU MANDRIN AUTOMATIQUE (FIG. 5)

Resserrez le mandrin sur l'embout le plus court d'une clé hexagonale (non fournie). À l'aide d'un marteau souple ou un morceau de bois, donnez un coup vers la gauche sur sa partie la plus longue. Cela desserrera le mandrin et permettra de le dévisser manuellement.

INSTALLATION DU MANDRIN AUTOMATIQUE (FIG. 6)

Vissez à fond le mandrin manuellement. Resserrez le mandrin sur l'embout le plus court d'une clé hexagonale (non fournie), et donnez un coup vers la droite sur sa partie la plus longue à l'aide d'un marteau souple.

FONCTIONNEMENT

Consignes d'utilisation



AVERTISSEMENT : Respecter systématiquement les consignes de sécurité et les normes en vigueur.

Gâchette (fig. 1)

Pour démarrer la perceuse, appuyez sur la gâchette. Pour l'arrêter, relâchez la gâchette.

REMARQUE : Utiliser une vitesse réduite pour commencer un trou sans pointe, pour percer le métal, les plastiques ou la céramique, ou enfoncer des vis. Les vitesses élevées sont recommandées pour percer le bois et les panneaux d'agglomérés, ou lors de l'utilisation d'accessoires abrasifs ou de polissage.

FRANÇAIS

VITESSE VARIABLE

La gâchette à vitesse variable (a) permet de contrôler la vitesse. Plus on appuie sur la gâchette, plus la vitesse de la perceuse est grande.

Pour un travail continu, maintenez la gâchette à vitesse variable appuyée, déplacez le bouton de verrouillage en position de marche (b) vers le haut, puis relâchez la gâchette.

Pour arrêter le travail continu, appuyez rapidement sur l'interrupteur puis relâchez-le. Arrêtez systématiquement l'outil après utilisation et avant de le débrancher.

Cadran de vitesse (fig. 1)

DWD014, DWD014S

Pour réduire la vitesse, tournez le cadran de vitesse (g) vers la gauche. Pour augmenter la vitesse, tournez le cadran vers la droite.

Position correcte des mains (fig. 7)



VERTISSEMENT : Pour réduire tout risque de dommages corporels graves, adopter **SYSTÉMATIQUEMENT** la position des mains illustrée en figure 7.



AVERTISSEMENT : Pour réduire tout risque de dommages corporels graves, maintenir fermement et **SYSTÉMATIQUEMENT** l'outil pour anticiper toute réaction soudaine de sa part.

La position correcte des mains requiert une main sous le boîtier, et l'autre sur la poignée principale (h).

Perçage



AVERTISSEMENT : Pour réduire tout risque de dommages corporels graves, arrêter et débrancher l'outil avant tout réglage ou avant de retirer ou installer toute pièce ou tout accessoire.



AVERTISSEMENT : Pour réduire tout risque de dommages corporels, s'assurer **SYSTÉMATIQUEMENT** que la pièce est ancrée ou arrimée solidement. Pour percer des matériaux fins, utiliser un morceau de bois « de renfort » pour éviter de les endommager.

1. Utilisez seulement des mèches bien affûtées. Pour le BOIS, utilisez une vitesse lente et des mèches hélicoïdales, forets à trois pointes, mèches torsadées ou des emporte-pièces. Pour le MÉTAL, utilisez une vitesse lente et

des mèches hélicoïdales en acier ou des emporte-pièces.

2. Appliquez systématiquement une certaine pression sur la mèche tout en restant dans l'alignement. Utilisez assez de pression pour que la perceuse avance, mais sans pousser trop fort pour éviter de bloquer le moteur ou dévier la mèche.
3. Maintenez fermement l'outil à deux mains pour contrôler toute action de torsion de la perceuse.



ATTENTION : La perceuse peut caler si on la force et causer une torsion. S'attendre systématiquement à un blocage. Maintenir fermement la perceuse pour contrôler toute torsion et éviter tout risque de dommages corporels.

4. **SI LA PERCEUSE CALE**, c'est en général parce qu'elle est surchargée ou utilisée incorrectement. **RELÂCHEZ ALORS LA GÂCHETTE IMMÉDIATEMENT**, retirez la mèche de la pièce puis déterminez la cause du blocage. **N'APPUYEZ PAS RÉPÉTITIVEMENT SUR LA GÂCHETTE POUR TENTER DE REDÉMARRER UNE PERCEUSE BLOQUÉE. CELA POURRAIT ENDOMMAGER LA PERCEUSE.**
5. Pour minimiser tout blocage ou rupture du matériau, réduisez la pression sur la perceuse pour faciliter le passage de la mèche dans la partie finale du trou.
6. Laissez le moteur en marche alors que vous retirez la mèche du trou pour éviter tout grippage.
7. Les pointeaux sont inutiles lorsqu'on utilise une perceuse à vitesse variable. Utilisez une vitesse réduite pour commencer un trou, puis accélérez en appuyant plus fort sur la gâchette lorsque le trou est assez profond pour que la mèche ne ressorte pas.

PERÇAGE DU MÉTAL

Commencez à percer lentement puis augmenter la vitesse à son maximum en appliquant une pression ferme sur l'outil. Un jet fluide et régulier de débris métalliques sera indicateur d'une vitesse adéquate. Utilisez un lubrifiant de coupe pour percer les métaux, à l'exception de la fonte et du laiton qui doivent être percés à sec.

REMARQUE ; Les trous larges [de 8 mm (5/16") à 13 mm (1/2")] dans l'acier peuvent être facilités si l'on perce d'abord un trou pilote [de 4 mm (5/32") à 5 mm (3/16)].

PERÇAGE DU BOIS

Commencez à percer lentement puis augmentez la vitesse à son maximum en appliquant une pression ferme sur l'outil. Les trous dans le bois peuvent être faits avec des mèches hélicoïdales identiques à celles utilisées pour le métal. Ces mèches peuvent surchauffer si on ne les ressort pas fréquemment pour éliminer les débris. Doublez les pièces qui pourraient éclater avec un bloc de bois.

MAINTENANCE

Votre outil électrique DEWALT a été conçu pour fonctionner longtemps avec un minimum de maintenance. Le fonctionnement continu et satisfaisant de l'outil dépendra d'un entretien adéquat et d'un nettoyage régulier.



AVERTISSEMENT : Pour réduire tout risque de dommages corporels, arrêter l'outil et débrancher l'appareil du secteur avant d'installer ou retirer tout accessoire, avant tout réglage ou changement de configuration ou lors de réparations. S'assurer que la gâchette est bien en position d'ARRÊT. Un démarrage accidentel pourrait causer des dommages corporels.

Balais de moteur

DEWALT utilise un système avant-garde de balais qui arrêtera automatiquement le perçage lorsque les balais seront usés. Ceci préviendra tout dommage sérieux au moteur. Des modules de balais sont disponibles dans les centres de réparation agréés DEWALT. Utilisez systématiquement des pièces de rechange d'origine..



Graissage

Votre outil électrique ne nécessite pas de graissage supplémentaire.



Nettoyage



AVERTISSEMENT : retirez la saleté et la poussière du logement principal en soufflant de l'air sec aussi souvent que vous remarquez une accumulation de saleté à l'intérieur et autour des orifices d'aération. Portez des lunettes

de sécurité homologuées et un masque anti-poussière homologué lorsque vous effectuez cette procédure.



AVERTISSEMENT : n'utilisez jamais de solvants ou d'autres produits chimiques corrosifs pour nettoyer les pièces non métalliques de l'outil. Ces produits chimiques risquent d'affaiblir les matériaux utilisés dans ces pièces. Utilisez un chiffon imbibé uniquement d'eau et de détergent doux. Ne laissez jamais un liquide pénétrer à l'intérieur de l'outil et n'immergez jamais les pièces de l'outil dans un liquide.

Accessoires en option



AVERTISSEMENT : étant donné que les accessoires, autres que ceux fournis par DEWALT, n'ont pas été testés avec ce produit, l'utilisation de tels accessoires avec cet outil pourraient être dangereuse. Afin de réduire le risque de blessures corporelles, utilisez uniquement des accessoires recommandés par DEWALT avec ce produit.



ATTENTION : Pour réduire tout risque de dommages corporels, utiliser systématiquement des accessoires respectant les limites de capacité notées dans la **Fiche technique**.

Veuillez consulter votre concessionnaire pour plus d'informations sur les accessoires appropriés

Respect de l'environnement



Collecte sélective. Ne jetez pas ce produit avec vos ordures ménagères.



Le jour où votre produit DEWALT doit être remplacé ou que vous n'en avez plus besoin, ne le jetez pas avec vos ordures ménagères. Préparez-le pour la collecte sélective.



La collecte sélective des produits et emballages usagés permet de recycler et réutiliser leurs matériaux. La réutilisation de matériaux recyclés aide à protéger l'environnement contre la pollution et à réduire la demande en matière première.

FRANÇAIS

Selon les réglementations locales, un service de collecte sélective pour les produits électriques peut être fourni de porte à porte, dans une déchetterie municipale ou sur le lieu d'achat de votre nouveau produit.

DEWALT dispose d'installations pour la collecte et le recyclage des produits DEWALT en fin de cycle de vie utile. Pour profiter de ce service, veuillez rapporter votre produit à un réparateur autorisé qui le recyclera en notre nom.

Pour connaître l'adresse d'un réparateur autorisé près de chez vous, prenez contact avec votre bureau DEWALT local à l'adresse indiquée dans ce manuel de l'utilisateur. Ou consultez la liste des réparateurs autorisés DEWALT et le panorama détaillé de notre SAV et contacts sur Internet à l'adresse : **www.2helpU.com**.

مثقاب انعكاسي متغير السرعة DWD010, DWD014, DWD014S

تهانينا!

لاختيارك أداة من منتجات DEWALT. سنوات الخبرة التي تمتد خلالها عمليات تطوير وابتكار المنتجات تجعل DEWALT من أكثر الشركاء الذين يمكن الاعتماد عليهم بالنسبة لمستخدمي الأدوات الآلية المهنية.

البيانات التقنية

DWD014S	DWD014	DWD010		
240/220	240/220	240/220	V	الجهد الكهربائي
	1	1	1	النوع
550	550	380	W	الطاقة
2800-0	2800-0	3600-0	/بالدقائق	سرعة غير محملة
				الحد الأقصى لنطاق الثقب
10/25	10/25	6.5/16	mm	الصلب/ الخشب
7.9	7.9	3.9	Nm	العزم
x20	x20	x3/8	UNF	محور رأس المثقاب، بالحجم المسنن
10	10	6.5	mm	سعة رأس المثقاب القصوى
1.3	1.3	1.16	kg	الوزن

احتفظ بجميع التحذيرات والتعليمات من أجل الرجوع إليها في المستقبل

يشير المصطلح "أداة كهربائية" في التحذيرات إلى الأداة الكهربائية التي تعمل بالطاقة الكهربائية (مزودة بسلك كهربائي) أو الأداة الكهربائية التي تعمل بالبطارية (غير مزودة بسلك كهربائي).

(1) أمان منطقة العمل

- (أ) حافظ على منطقة العمل نظيفة ومزودة بضاعة جيدة. المناطق المتكسرة بغير نظام أو المظلمة تؤدي إلى وقوع الحوادث.
- (ب) لا تقم بتشغيل الأدوات الكهربائية في الأماكن التي بها خطر الانفجار كأن يوجد بالمكان سوائل قابلة للاشتعال أو غازات أو غبار. تؤدي الأدوات الكهربائية إلى حدوث شرر مما قد يتسبب في اشتعال الغبار أو الأبخرة.
- (ج) قم بإبعاد الأطفال والأشخاص بعيداً عن الأداة الكهربائية المشغلة. قد يؤدي تشتت الانتباه إلى فقدان تحكمك.

(2) السلامة الكهربائية

- (أ) يجب أن تتوافق قوايس الأداة الكهربائية مع مصدر التيار الكهربائي. لا تقم مطلقاً بإجراء تعديل على القوايس بأي طريقة. لا تستخدم قوايس المحول مع الأدوات الكهربائية المؤرضة (تم تأريضها). القوايس غير المعدلة ومصادر التيار الكهربائي المتطابقة ستقلل من خطر حدوث صدمة كهربائية.
- (ب) تجنب أي تلامس جسدي مع الأسطح المؤرضة أو المثبتة بالأرض كالأنابيب، والمشعات، والمواد والتلجعات. يوجد خطر متزايد من حدوث صدمة كهربائية إذا كان جسدك مريض أو ثابت على الأرض.
- (ج) لا تعرض الأدوات الكهربائية للأمطر أو البلل. الماء الذي يدخل الأداة الكهربائية سيؤدي إلى زيادة خطر حدوث صدمة كهربائية.
- (د) لا تسع استعمال السلك. لا تستخدم مطلقاً السلك من أجل حمل الأشياء أو سحبها أو لنزع قوايس الأداة الكهربائية. حافظ

التعريفات: تعليمات الأمان

تقدم التعريفات التالية مستوى أهمية كل كلمة تحذيرية. الرجاء قراءة الدليل والانتباه لتلك الرموز.

خطر: تشير هذه الكلمة إلى وجود حالة خطر وشيكة، وإذا لم يتم تفاديها، فقد تؤدي إلى الوفاة أو الإصابة بالغة.



تحذير: تشير هذه الكلمة إلى وجود حالة خطر محتملة، وإذا لم يتم تفاديها، فقد تؤدي إلى الوفاة أو الإصابة بالغة.



تنبيه: تشير هذه الكلمة إلى وجود حالة خطر محتملة، وإذا لم يتم تفاديها، فقد تؤدي إلى إصابة بسيطة أو متوسطة.



ملاحظة: تشير إلى ممارسة غير متعلقة بإصابة شخصية وبالتالي، في حال عدم تفاديها، فقد تؤدي إلى ضرر يلحق بالامتلاكات.

يشير هذا الرمز إلى خطر حدوث صدمة كهربائية.



يشير هذا الرمز إلى خطر نشوب حريق.



تحذير: لتقليل خطر حدوث الإصابة، تفضل بقراءة دليل التعليمات.



تحذيرات الأمان العامة للأدوات الكهربائية

تحذير! تفضل بقراءة جميع تحذيرات الأمان وكل التعليمات، عدم الالتزام باتباع هذه التحذيرات والتعليمات قد يؤدي إلى حدوث صدمة كهربائية، نشوب حريق، و/أو إصابة جسيمة.



- هـ) **قم بصيانة الأدوات الكهربائية.** افحص للتحري عن أي محاذة غير صحيحة أو التصاق للأجزاء المتحركة، أو كسر بالأجزاء وأي حالات أخرى قد تؤثر على تشغيل الأداة الكهربائية. في حال وجود التلف، قم بإصلاح الأداة الكهربائية اللازمة قبل الاستخدام. العديد من الحوادث سببها هو الصيانة السيئة للأدوات الكهربائية.
- و) **حافظ على أدوات القطع حادة ونظيفة.** أدوات القطع التي تتم صيانتها بطريقة صحيحة مع حواف قطع حادة تتعرض بشكل أقل للتصاق ويسهل التحكم فيها أكثر سهولة.
- ز) **استخدم الأداة الكهربائية والملحقات ولقم الأداة وما شابه ذلك طبقاً لتلك التعليمات مع الأخذ في الاعتبار ظروف التشغيل والعمل المراد تنفيذه.** استخدام الأداة الكهربائية لعمليات مختلفة عن تلك العمليات المخصصة قد يؤدي إلى حالة خطيرة.
- 3) **السلامة الشخصية**
- أ) **حافظ على انتباهك وراقب ما تقوم بفعله** واستخدم حواسك العامة عند تشغيل الأداة الكهربائية. لا تستخدم الأداة الكهربائية عندما تكون متعباً أو واقع تحت تأثير المخدرات أو الكحول أو الأدوية. قد تؤدي أي لحظة من السهو أثناء تشغيل الأدوات الكهربائية إلى حدوث إصابة جسدية جسيمة.
- ب) **استخدم معدات الوقاية الشخصية.** قم دوماً بارتداء واقي العين. استخدام معدات الوقاية مثل كمامات الوقاية من الأتربة، وأحذية الأمان المانعة للانزلاق، والخوذة الصلبة، أو واقي الأذن للحالات ذات الصلة سيقلل من الإصابات الشخصية.
- ج) **قم بمنع التشغيل بدون قصد.** تأكد من أن المفتاح في وضع إيقاف التشغيل قبل التوصيل بمصدر الطاقة، و/ أو مجموعة البطارية، التقاط أو حمل الأداة. حمل الأدوات الكهربائية أثناء وجود إصبعك على المفتاح أو تزويد الأدوات الكهربائية التي يكون مفتاحها بوضع التشغيل قد يؤدي إلى وقوع الحوادث.
- ب) **قم بإخراج أي مفتاح ضبط أو مفتاح ربط قبل تشغيل الأداة الكهربائية.** قد يؤدي ترك مفتاح الربط أو المفتاح بالجزء النوار بالأداة الكهربائية إلى حدوث إصابة جسدية.
- هـ) **لا تتجاوز.** حافظ على ثبات موضع قدمك والتوازن طيلة الوقت. سوف يساعدك ذلك على التحكم بشكل أفضل في الأداة الكهربائية في الحالات غير المتوقعة.
- و) **ارتد ملابسك بطريقة صحيحة.** لا تقم بارتداء ملابس أو مجوهرات فضفاضة. حافظ على إبعاد الشعر والملابس والفقرات بعيداً عن الأجزاء المتحركة. فقد تحترق الملابس أو المجوهرات الفضفاضة أو الشعر الطويل في الأجزاء المتحركة.
- ز) **في حال توفير الأجهزة للتوصيل بوسائل استخلاص وتجميع الأتربة، فتأكد من توصيلها واستخدامها بطريقة صحيحة.** استخدام وسيلة تجميع الأتربة قد يؤدي إلى تقليل المخاطر المتعلقة بالأتربة.
- 4) **استعمال الأداة الكهربائية والعناية بها**
- أ) **لا تتعامل بالقوة مع الأداة الكهربائية.** استخدم الأداة الكهربائية الملائمة للتطبيق الخاص بك. ستنتج الأداة الكهربائية الملائمة المهمة بشكل أفضل وأكثر أماناً عند المستوى الذي صممت من أجله.
- ب) **لا تستخدم الأداة الكهربائية إذا كان المفتاح لا يتبدل بين وضعي التشغيل وإيقاف التشغيل.** أي أداة كهربائية لا يمكن التحكم فيها بواسطة المفتاح تشكل خطورة ويجب إصلاحها.
- ج) **قم بفصل القابس من مصدر الطاقة، و/ أو مجموعة البطارية من الأداة الكهربائية قبل إجراء أي عمليات ضبط أو تغيير الملحقات، أو تخزين الأدوات الكهربائية.** مثل إجراءات السلامة الوقائية هذه تعمل على تقليل خطر تشغيل الأداة الكهربائية بدون قصد.
- ب) **قم بتخزين أدوات الطاقة المتوقفة عن العمل بعيداً عن متناول الأطفال ولا تدع الأشخاص غير الملمين بالأداة الكهربائية أو بتلك التعليمات يقومون بتشغيل الأداة الكهربائية.** الأدوات الكهربائية خطيرة في أيدي المستخدم غير المتدرب عليها.

العلامات على الأداة

الصور التالية موضحة على الأداة:



قم بقراءة دليل التعليمات قبل الاستخدام.



قم بارتداء واقي الأذن.



قم بارتداء واقي الأذن.

وضع كود التاريخ (شكل 1)

لقد تم طبع كود البيانات (i) والذي يشتمل أيضاً على سنة التصنيع داخل التجويف.

مثال:

XX XX 2012
سنة التصنيع

محتويات العبوة

تحتوي العبوة على:

1 مقاب

1 رأس مقاب بمفتاح (DWD014، DWD010)

1 دليل التعليمات

1 رسم ممتد

- افحص تحرياً عن التلف بالأداة، أو الأجزاء أو الملحقات وهو التلف الذي قد يقع أثناء النقل.
- خذ الوقت اللازم لقراءة هذا الدليل وفهمه جيداً قبل التشغيل.

الوصف (شكل 1)

تحذير: لا تقم مطلقاً بتعديل الأداة الكهربائية أو أي جزء منها. فقد ينجم عن ذلك التلف أو الإصابة الشخصية.



- مفتاح المشغل ذو السرعة المتغيرة
- زر تشغيل القفل
- ذراع التشغيل للأمام/ للخلف
- رأس المقاب
- واقي السلك
- مجموعة السلك
- القرص السريع (DWD014، DWD014S)
- المقبض الرئيسي
- وضع كود التاريخ

الاستخدام المقصود

آلات النقب V.S.R المخصصة للخدمة الشاقة مصممة لعمليات النقب المهنية والاحترافية.

لا تستخدمه في الحالات التي يوجد بها البلب أو في وجود سوائل أو غازات قابلة للاشتعال.

آلات النقب ذات الخدمة الشاقة من الأدوات الآلية المهنية.

لا تدع الأطفال يلمسون الأداة. يصبح الإشراف من الأشياء الضرورية عند استخدام المشغل قليل الخبرة لهذه الأداة.

السلامة الكهربائية

تم تصميم المحرك الكهربائي لتحمل جهد كهربائي واحد فقط. افحص دوماً مصدر إمداد الطاقة المطابق للجهد الكهربائي على لوحة التصنيف.

تم تزويد الأداة الخاصة بك من DEWALT بعازل مزدوج طبقاً للمعيار EN 60745، لذا لا حاجة للسلك الأرضي.



إذا كان سلك إمداد الطاقة تالفاً، فيجب استبداله بسلك آخر معد خصيصاً متوفر لدى مراكز خدمة DEWALT.

استبدال قابس التيار الرئيسي (الشرق الأوسط، وإفريقيا)

إذا استدعت الضرورة تركيب قابس تيار رئيسي، فقم بالتالي:

- تخلص بأمان من القابس القديم.
- قم بتوصيل السلك البني بطرف التوصيل النشط في القابس.
- قم بتوصيل السلك الأزرق بطرف التوصيل المحايد.

تحذير: لم يتم إجراء أي توصيل بطرف التوصيل الأرضي.



قم باتباع التعليمات الواردة مع القوابس ذات الجودة العالية. المنصهر الموصى باستخدامه: 13 أمبير

استخدام سلك الاستطالة

إذا استدعت الضرورة استخدام كابل الاستطالة، فاستخدم كابل استطالة معتمد ملائم لدخل طاقة هذه الأداة. (انظر البيانات الفنية).

حجم الموصل الأدنى هو 1.5 ملم².

عند استخدام بكرة الكابل، قم دوماً بفك الكابل تماماً.

عمليات التجميع والضبط

تحذير: لخفض خطر التعرض للإصابة، قم بإيقاف تشغيل الوحدة، وفصل الماكينة من مصدر الطاقة قبل تركيب المحلقات وفكها، وقيل ضبط أو تغيير الإعدادات، أو عند إجراء الإصلاحات. تأكد من أن مفتاح التشغيل في وضع OFF (إيقاف التشغيل). فبدء التشغيل دون قصد قد يؤدي إلى حدوث إصابة.



ذراع التشغيل للأمام/ للخلف (شكل 1)

يتم استخدام ذراع التشغيل للأمام/ للخلف (c) لسحب اللقمات من الفتحات الضيقة وإزالة البراعي. يوجد فوق مفتاح المشغل.

لعكس المحرك، حرر مفتاح المشغل أولاً، ثم ادفع الذراع إلى اليمين (يمكن رؤيته عند حمل المقاب في وضع التشغيل).

بعد أي عمليات رجوع، قم بإعادة الذراع إلى الوضع الأمامي.

تركيب رأس المثقاب بدون مفتاح (شكل 6)

قم بتثبيت رأس المثقاب ببرغي يدويًا إلى أقصى مكان يمكن الذهاب إليه. قم بإحكام ربط الرأس حول الطرف الأقصر من المفتاح السداسي (لا يأتي مع الأداة) والطرق على الطرف الأطول باتجاه حركة عقارب الساعة بواسطة مطرقة مرنة.

التشغيل**تعليمات الاستخدام**

تحذير: التزم دوماً بتعليمات الأمان والقوانين سارية المفعول.

**مفتاح المشغل (شكل 1)**

ليبدء عملية الثقب، اضغط على مفتاح المشغل، لإيقاف عملية الثقب، حرر مفتاح المشغل.

ملاحظة: استعن بسرعات منخفضة لبدء إنشاء الثقوب بدون تخريم مركزي، الثقب في المعدن أو البلاستيك، دفع البراغي أو ثقب السيراميك. تعد السرعات العالية أفضل لعملية الثقب في الأخشاب، وألواح التركيب واستخدام الملحقات الكاشطة وملحقات التلميع.

السرعة المتغيرة

مفتاح المشغل ذو السرعة المتغيرة (a) يتيح لك التحكم السريع—كلما زاد الضغط على المشغل، كلما زادت سرعة الثقب.

للتشغيل المتواصل، اضغط باستمرار على مفتاح السرعة المتغيرة، وحرك زر تشغيل الفتل (b) لأعلى وحرر المفتاح.

لإيقاف التشغيل المستمر، اضغط على المفتاح لفترة وجيزة ثم حرره. قم دوماً بإيقاف تشغيل الأداة عند الانتهاء من العمل وقبل فصل القابس.

القرص السريع (شكل 1)**DWD014S DWD014S**

لخفض السرعة، أدر القرص السريع (g) باتجاه عكس عقارب الساعة. لزيادة السرعة، أدر القرص باتجاه حركة عقارب الساعة.

الوضع اليدوي الصحيح (الشكل رقم 7)

تحذير: لتقليل خطر حدوث الإصابة الشخصية البالغة، استخدم دوماً الوضع اليدوي الملائم كما هو موضح في الشكل 7.

تحذير: لخفض خطر التعرض للإصابة الجسدية الجسيمة، قم دوماً بالتنبيه المحكم عند توقع حدوث رد فعل مفاجئ.

يتطلب الوضع اليدوي الملائم وجود يد واحدة أسفل التجويف بينما توجد اليد الأخرى فوق المقبض الرئيسي (h).

عملية الثقب

تحذير: لتقليل خطر التعرض للإصابة الشخصية الجسيمة، قم بإيقاف تشغيل الأداة وفصلها من مصدر الطاقة قبل إجراء أي عمليات ضبط، أو إزالة/ تركيب الملحقات أو الأكسسوارات.

تحذير: لخفض التعرض للإصابة الشخصية، قم دوماً بالتأكد من تثبيت قطعة العمل بأداة تثبيت أو تثبيتها بإحكام. إذا كانت عملية الثقب تتم في مادة رقيقة، فاستخدم كتلة خشبية "داعمة" لمنع تلف المادة.

رأس المثقاب مع مفتاح (شكل 1، 2، 3)**DWD010 DWD014**

يشتمل DWD010 وDWD014 على رأس مثقاب مع مفتاح (d). لإدخال لقمة المثقاب أو أي ملحق آخر

1. افتح فكوك رأس المثقاب عن طريق إدارة الحلقة يدويًا، ثم قم بإدخال ساق اللقمة بمقدار 19 ملم (3/4 بوصة) في رأس المثقاب. قم بإحكام ربط حلقة رأس المثقاب يدويًا.

2. قم بوضع مفتاح رأس المثقاب في كل فتحة من الفتحات الثلاث، وإحكام الربط باتجاه حركة الساعة. من الهام إحكام ربط رأس المثقاب في جميع الفتحات الثلاث.

لتحرير اللقمة، أدر رأس المثقاب باتجاه عكس عقارب الساعة في فتحة واحدة فقط، ثم حرر رأس المثقاب يدويًا.

إزالة رأس المثقاب مع مفتاح (شكل 2)

قم بإحكام ربط رأس المثقاب حول الطرف الأكثر قصرًا من المفتاح السداسي. باستخدام مطرقة مرنة، قم بالطرق بحدّة باتجاه عكس حركة عقارب الساعة عندما تتم مشاهدة الجزء الأمامي من الأداة. سيؤدي ذلك إلى تحرير رأس المثقاب وبالتالي فكّه يدويًا.

تركيب رأس المثقاب بمفتاح (شكل 3)

قم بتثبيت رأس المثقاب ببرغي يدويًا إلى أقصى مكان يمكن الذهاب إليه. قم بإدخال الطرف القصير من المفتاح السداسي والطرق باتجاه حركة عقارب الساعة بواسطة مطرقة مرنة.

رأس المثقاب بدون مفتاح (شكل 1، 4-6)**DWD014S**

يشتمل DWD014S على رأس ثقب بدون مفتاح (d) للحصول على راحة أكبر عند الاستخدام.

إدخال لقمة المثقاب أو أي ملحق آخر

1. قم بإمسك النصف الخلفي من رأس المثقاب بيد واحدة واستخدم اليد الأخرى من أجل إدارة النصف الأمامي باتجاه عكس عقارب الساعة، كما هو موضح في الشكل 4. أدر بعيدًا بشكل كافي حتى يمكن فتح رأس المثقاب بشكل كافي لقبول الملحق المرغوب.

2. قم بإدخال اللقمة أو أي ملحق آخر بمقدار 19 ملم (3/4 بوصة) في رأس المثقاب وإحكام الربط عن طريق الإمساك بالنصف الخلفي لرأس المثقاب وإدارة القسم الأمامي في اتجاه حركة عقارب الساعة. عندما يتم إحكام ربط رأس المثقاب جيدًا، سوف تسمع صوت طقطقة تدل على التثبيت. بعد 4-6 أصوات طقطقة تدل على التثبيت، يكون قد تم إحكام ربط رأس المثقاب حول الملحق.

3. لتحرير الملحق، كرر الخطوة 1 المذكورة أعلاه.

تحذير: لا تحاول إحكام ربط لقم الحفر (أو أي ملحقات أخرى) عن طريق الإمساك بالجزء الأمامي من رأس المثقاب وتشغيل الأداة. فقد يؤدي ذلك إلى تلف رأس المثقاب وقد ينجم عنه إصابة شخصية.

فك رأس المثقاب بدون مفتاح (شكل 5)

قم بإحكام ربط رأس المثقاب حول الطرف القصير من المفتاح السداسي (لا يأتي مع الأداة). باستخدام مطرقة مرنة أو قطعة من الخشب، قم بالطرق على الطرف الأكثر طولًا باتجاه عكس اتجاه عقارب الساعة. سيؤدي ذلك إلى تحرير رأس المثقاب وبالتالي فك البرغي يدويًا.

تحذير: لخفض خطر التعرض للإصابة، قم بإيقاف تشغيل الوحدة، وفصل الماكينة من مصدر الطاقة قبل تركيب الملحقات وفكها، وقيل ضبط أو تغيير الإعدادات، أو عند إجراء الإصلاحات. تأكد من أن مفتاح التشغيل في وضع OFF (إيقاف التشغيل). فبدء التشغيل دون قصد قد يؤدي إلى حدوث إصابة.



فرش المحرك

تستخدم شركة DEWALT نظام فرش متقدم يعمل بشكل أوتوماتيكي على إيقاف المتعاقب عند تآكل الفرش. يؤدي ذلك إلى منع حدوث التلف البالغ بالمحرك. تتوفر مجموعات فرش جديدة لدى مراكز خدمة DEWALT المعتمدة. استخدم دوماً قطع الغيار البديلة المتطابقة.



التشحيم

لا تحتاج الأداة الآلية إلى تشحيم إضافي.



التنظيف

تحذير: قم بنفخ الأتربة والغبار خارج التجويف الرئيسي بواسطة الهواء الجاف عدد أكبر من المرات في حال مشاهدة تجمع الأتربة بداخل وحول المنافذ الهوائية. قم بإرتداء واقى العين المعتمد وكمامة الأتربة المعتمدة عند تنفيذ هذا الإجراء.



تحذير: لا تقم مطلقاً باستخدام منظفات أو أي مواد كيميائية قاسية أخرى لتنظيف الأجزاء غير المعدنية بالأداة. هذه المواد الكيميائية قد تضعف من المواد المستخدمة في هذه الأجزاء. استخدم قطعة قماش مبللة بالماء والصابون المعتدل فقط. لا تدع أي سائل يدخل بالأداة، ولا تقم مطلقاً بغمر أي جزء من الأداة في السائل.



الملحقات الاختيارية

تحذير: ولكون الملحقات بخلاف تلك المعتمدة من قبل DEWALT، تكون غير خاضعة للاختبارات للاستخدام مع هذا المنتج، فاستخدم ملحقات مثل هذه مع الأداة قد يشكل خطورة. لخفض خطر وقوع إصابة، يجب استخدام ملحقات DEWALT الموصى بها فقط مع هذا المنتج.



تنبيه: لخفض معدل التعرض للإصابة، يجب استخدام الملحقات فقط التي تتناسب أحجامها مع الحدود القصوى الموضحة في البيانات الفنية.



اطلب النصح من الوكيل لمعرفة مزيد من المعلومات حول الملحقات الملائمة.

حماية البيئة

تجمع منفصلاً يجب عدم التخلص من هذا المنتج في النفايات المنزلية العادية.



1. استخدم لقم الثقب الحادة فقط. بالنسبة للأخشاب، استخدم إعداد السرعة المنخفضة ولقم الثقب الملتوية، لقم الحفر، لقم بريمة الحفر الآلية، أو منشار ثاقب. بالنسبة للمعدن، استخدم إعداد سرعة منخفضة، ولقم ثقب ملتوية صلبة أو منشار ثاقب.

2. قم دوماً بالضغط بشكل مستقيم على اللقمة. قم بالضغط بشكل كافي للحفاظ على لقمة الثقب في موضعها، لكن لا تقم بالدفع بقوة تكفي لإيقاف المحرك أو انحراف القطعة.

3. قم بامسك الأداة بثبات بكلتا يديك للتحكم في فعل الالتواء لعملية الثقب.



تنبيه: قد تتوقف عملية الثقب في حال حدوث الحمل الزائد بما يؤدي للالتواء المفاجئ. توقع دوماً حدوث التوقف. قم بامسك المتعاقب بإحكام للتحكم في فعل الالتواء وتفادي حدوث إصابة.

4. **في حال توقف المتعاقب،** يكون السبب في العادة راجعاً إلى تعرضه للحمل الزائد أو الاستخدام بطريقة غير ملائمة. حرر المشغل فوراً، قم بإزالة قطعة المتعاقب (اللقمة) من العمل، وحدد سبب حدوث التوقف. لا تضغط على المشغل لتشغيله وإيقافه كمحاولة لبدء تشغيل المتعاقب المتوقف عن العمل — فقد يؤدي ذلك إلى تلف المتعاقب.

5. لتقليل حدوث التوقف المفاجئ أو اختراق المادة، قم بخفض معدل الضغط على المتعاقب وتخفيف القطعة (اللقمة) عبر الجزء المجزأ من الفتحة.

6. حافظ على المحرك في حالة دوران أثناء سحب القطعة (اللقمة) للخارج من الفتحة التي تم ثقبها. سيساعد ذلك على منع حدوث الانحشار.

7. باستخدام آلات الثقب ذات السرعة المتغيرة، لا توجد حاجة إلى الترخيم المركزي للنقطة المراد ثقبها. استخدم السرعة المنخفضة لبدء عمل الثقب والتعجيل بإنشائه عن طريق الضغط على المشغل بقوة أكبر عندما يكون الثقب عميقاً بشكل يكفي لتعبه بدون دفع اللقمة للخارج.

ثقب المعادن

قم ببدء عملية الثقب على سرعة منخفضة، ثم زيادتها لتصل إلى الطاقة الكاملة مع بذل ضغط ثابت على الأداة. يشير التدفق السلس للرفائق المعدنية إلى معدل ثقب ملائم. استخدم شحم تزليق للقطع عند إجراء عملية ثقب المعادن. يستثنى من ذلك قوالب الحديد والنحاس السببكية التي يجب ثقبها عندما تكون جافة.

ملاحظة: يمكن إنشاء فتحات كبيرة بحجم [5/16 بوصة (8 ملم)] إلى [1/2 بوصة (13 ملم)] في الصلب بشكل أكثر سهولة إذا كانت الفتحة الدليلية بحجم [5/32 بوصة (4 ملم)] إلى [3/16 بوصة (5 ملم)] يتم ثقبها أولاً.

ثقب الأخشاب

قم ببدء عملية الثقب على سرعة منخفضة، ثم زيادتها لتصل إلى الطاقة الكاملة مع بذل ضغط ثابت على الأداة. يمكن إنشاء ثقب في الأخشاب بواسطة نفس آلات الثقب الملتوية المستخدمة لثقب المعادن. قد ترتفع درجة حرارة هذه اللقم بشكل مفرط إلا إذا تم سحبها للخارج بشكل متكرر للتخلص من نواتج الثقب يجب دعم القطعة محل العمل المعرضة للانحناء بواسطة كتلة خشبية.

الصيانة

تم تصميم الأداة الكهربائية DEWALT الخاصة بك للعمل خلال فترة زمنية طويلة مع أدنى حد من الصيانة. يعتمد التشغيل المرضي بشكل منتظم على العناية الملائمة بالأداة وتنظيفها بشكل منتظم.

إذا وجدت في أحد الأيام أن المنتج DEWALT الخاص بك يلزم استبداله، أو لم تعد هناك حاجة لاستخدامه، فلا تتخلص منه في النفايات المنزلية. اجعل هذا المنتج متوفر من أجل تجميعه بشكل مستقل.

التجميع المنفصل للمنتجات والعبوات المستهلكة يتيح إعادة تدوير المواد واستخدامها مرة أخرى. إعادة استخدام المواد المعاد تدويرها يساعد على منع التلوث البيئي وتقليل الطلب على المواد الأولية.



قد توفر القوانين المحلية أماكن تجميع منفصلة للمنتجات الكهربائية عن النفايات المنزلية، وفي مواقع النفايات البلدية أو بواسطة بائع التجزئة عند شرائك لمنتج جديد.

تقدم شركة DEWALT مكان مخصص لتجميع وإعادة تدوير منتجات DEWALT بعد وصولها إلى نهاية عمر التشغيل. للاستفادة من هذه الخدمة، الرجاء إعادة المنتج الخاص بك إلى عميل الإصلاح المعتمد الذي يقوم بتجميع المنتجات نيابة عنك.

بإمكانك التعرف على موقع أقرب وكيل إصلاح معتمد في منطقتك من خلال الاتصال بمكتب DEWALT المحلي على العنوان المحدد في هذا الدليل. أو بدلاً من ذلك، تتوفر قائمة من وكلاء الإصلاح المعتمدين التابعين لشركة DEWALT مع بياناتهم التفصيلية الكاملة لخدمة ما بعد البيع وجهات الاتصال المتوفرة على الإنترنت بالموقع: www.2helpU.com









Afghanistan	Ariana Hafiz Zabi Co. Ltd. Dahan Bagh Squire Karte Ariana, Kabul, Afghanistan	info@arianahafiz.com	Tel: 93-0-799331079 Fax: 93-0-700007576 / 93-0-799331079
Algeria	Sarfi Outillage Corporation 08, Rue Med Boudiaf (ex TELLA Achen) Cheraga, Alger	hakim.merdjadi@outillage-dz.com lyes@outillage-dz.com Mai.faiza@outillage-dz.com; sidahmed@outillage-dz.com	Tel: 213-0-21375130 213-0-21375131 Fax: 213-0-21369667
Angola	Angoferraria, Lda. Rua Robert Shields, nº 61, Luanda, Angola	angoferraria@gmail.com sequeira.angoferraria@gmail.com	Tel: 244-222-395837 / 244-222-395034 Fax: 244-222-394790
Azerbaijan	Royalton Holdings Ltd. 41 Khagani St. Apt. 47 AZ1001 Baku- Azerbaijan	jai@royaltonholdings.com office@royaltonholdings.com	Tel: 994-12-4935544 Fax: 994-12-5980378
Egypt	ElFarab S.A.E. 15-Nabil El Wakkad Street, Dokki, Giza, Egypt	elfarab@elfarab.com adel.ezzat@elfarab.com mahmoud.elhosseiny@elfarab.com	Tel: 202-37603946 Fax: 202-33352796
Ethiopia	Seif Tewfik Sherif Arada Sub City, Kebele 01/02, Global Insurance Bldg., 2nd Flr., Room 43, P.O. Box 2525, Addis Ababa	seif@ethionet.et nawanag@ethionet.et	Tel: 251-11-1563968 251-11-1563969 Fax: 251-11-1558009
Iraq	Al-Sard Co. for General Trading Ltd Jbara Bldg. 3Flr. Al Rasheed St., Baghdad, Iraq	dewalt.service@yahoo.com	Tel: 964-18184102
Jordan	Amman West Stores-Bashiti 210 Garden St. Tla'a Ali, P.O. Box 1564 Tla Ali Amman 11953, Jordan	ali@bashitistores.com yousef@bashitistores.com	Tel: 962-6-5350009 Fax: 962-6-5350012
Kenya	Dextron Tools Ltd. P.O. Box 20121-00200, Sharif House, Kimathi Street, Nairobi	info@alibhaishariff.co.ke dextron@alibhaishariff.co.ke	Tel: 254-20-6905000 254-20-2358021 Fax: 254-20-6905111 / 254-20-6905112
Lebanon	Est. Shaya & Azar S.A.R.L. Boulevard Jdeideh - Mar Takla - Bouchrieh . P.O. Box 90545, Jdeideh. Beirut - Lebanon	shayazar@dm.net.lb	Tel: 961 1 872305 961 1 872306 Fax: 961 1 872303
Libya	North Africa Trading (El Ghoul Brothers) P.O. Box 348, 7 October Street 11 Benghazi	maryam_farooq2003@yahoo.com nagte@eim.ae dewalt_libya@yahoo.com	Tel: 218-061-3383994 Fax: 218-092-7640688
	North Africa Trading (El Ghoul Brothers) AlBarniq DeWALT Center, Mokhazin-elsukar St. ElFalah, Tripoli	dewalt_libya@yahoo.com	Tel: 218-021-3606430 Fax: 218-092-6514813
	North Africa Trading (El Ghoul Brothers) AlHilal Service Center Tawergha St., Misurata		Tel: 218-091-3221408
Mauritius	Robert Le Marie Limited Old Moka Road, Bell Village, P.O. Box 161, Port Louis	a.blackburn.rm@rimgroup.mu jm.pierrelouis.rm@rimgroup.mu	Tel: 230-212 1865 230-212 2847 Fax: 230-2080843
Morocco	Ets Louis Guillaud & Cie 31, Rue Pierre Parent, Casablanca - 21000	boumadiane.azedine@elg.ma doukkal.marouane@elg.ma	Tel: 522-301446 / 305971 / 317815 / 315576 Fax: 522-444518 / 317888
Nigeria	Meridian Power Tools Ltd. Gr. Floor, #1 Alhaji Masha Rd, Next to Teslim Balogun Stadium, Near National Stadium Surulere, Lagos, Nigeria	braj@meridian-nigeria.com	Tel: 234-1-7740431 234-1-7740410 Fax: 234-1-7913798
Pakistan	Northern Toolings (Pvt) Ltd.-Lahore 86- Railway Road, Lahore - 7 Pakistan	zhayee@northern.pk import@northern.pk sales@northern.pk	Tel: 92-423-7651220 92-423-7641675 Fax: 92-423-7641674
	Northern Toolings (Pvt) Ltd.-Karachi 224-231 Industrial Town Plaza, Shahrah-e-Liaqat, Karachi, Pakistan	karachibr@northern.pk	Tel: 92-213-2465305 92-213-2465307 Fax: 92-213-2465301
	Northern Toolings (Pvt) Ltd.-Taxila Al-Rehman Plaza, Opposite Tehsil Court, Faisal Shaheed Road, Taxila	taxilabr@northern.pk	Tel: 92-51-4545811 Fax: 92-51-4544194
South Africa	Benray Tool Wholesalers C.C. 91 Turfontein Road, Stafford, Johannesburg, 2001 P.O. Box 260037 EXCOM 2023, South Africa	dewaltservice@benray.co.za zain@benray.co.za shafiq@benray.co.za	Tel: 27-11-6838350 Fax: 27-11-6837456
Tanzania	General Motors Investment Ltd. 14 Vingunguti-Nyerere Road, P.O.Box 16541, Dar es Salaam, Tanzania	ezra@gmi-tz.com info@gmi-tz.com chiwelesa@yahoo.com	Tel: 255-22-2865022 / 2862661 / 2862671 / 2862659 Fax: 255-22-2862667
Tunisia	Ets. Mohamed Ghorbel 03 Rue 8603 Charguia I Tunis. Postal Code 2035	slim.ghorbel@gnet.tn moh.ghorbel@gnet.tn mourad.ghorbel@gnet.tn	Tel: 216-71794248 216-71793848 Fax: 216-71770759
Uganda	The Building Center (u) Ltd. 52 Station Road, Kitgum House, P.O. Box 7436 Kampala, Uganda	tbc@africaonline.co.ug chris@tbcu.co.ug	Tel: 256-041-4234567 256-041-4259754 Fax: 256-041-4236413
Yemen	Middle East Trading Co. (METCO) 5th Flr.Hayel Saeed Anam Bldg. Al-Mugamma St. Taiz, Yemen	tamer.metco@gmail.com tamer@metcotrading.com metco@metcotrading.com sami@metcotrading.com	Tel: 967-4-213455 Fax: 967-4-219869
	Middle East Trading Co. (METCO) Mualla Dakka, Aden	tamer.metco@gmail.com tamer@metcotrading.com metco@metcotrading.com	Tel: 967-2-222670 Fax: 967-2-222670
	Middle East Trading Co. (METCO) Hayel st., Sana'a, Yemen	tamer.metco@gmail.com tamer@metcotrading.com metco@metcotrading.com	Tel: 967-1-204201 Fax: 967-1-204204

UAE	Black & Decker (Overseas) GmbH P.O. Box 5420, Dubai	service.mea@blackdecker.com	Tel: 971-4 8127400 / 8127406 Fax: 971-4 2822765	
	Ideal Star Workshop Eqpt. Trading LLC P.O. Box 37116, Al Quoz, Dubai	idealeq@emirates.net.ae	Tel: 971-4 3474160 Fax: 971-4 3474157	
	Alebrah Engineering Service P.O. Box 78954, Al Qusais, Dubai	alebrah@eim.ae	Tel: 971-4 2850044 Fax: 971-4 2844802	
	Burj Al Madeena Industrial Area No. 1, opp. Pakistani Masjid P.O. Box 37635, Sharjah	dewaltuae@hotmail.com	Tel: 971-6 5337747 Fax: 971-6 5337719	
	McCoy Middle East LLC P.O. Box 25793, Sharjah	mccoym@emirates.net.ae	Tel: 971-6 5395931 Fax: 971-6 5395932	
	McCoy Middle East LLC P.O. Box 10584, Ras Al Khaimah	mccoyrak@gmail.com	Tel: 971-7 2277095 Fax: 971-7 2277096	
	Al Sukoon Gen. Trdg. Co. LLC P.O. Box 2975, Ajman	sukoon@eim.ae	Tel: 971-6 7435725 / 7438317 Fax: 971-6 7437350	
	Zillion Equipment and Spare Parts Trading LLC P.O. Box 19740, opp. Bin Sadal / Trimix Redymix Sanaiya, Al Ain	zilliontrdg@gmail.com	Tel: 971-3 7216690 Fax: 971-3 7216103	
	Light House Electrical, Abu Dhabi Branch P.O. Box 120, Abu Dhabi	dewalt_lhe@hotmail.com	Tel: 971-2 6726131 Fax: 971-2 6720667	
	Light House Electrical, Musaffah Branch P.O. Box 120, Abu Dhabi	dewalt_lhe@hotmail.com	Tel: 971-2 5548315 Fax: 971-2 5540461	
	Bahrain	Alfouz Services Co. WLL P.O. Box 26562, Tubli, Manama	alfouz@batelco.com.bh	Tel: 973 17783562 / 17879987 Fax: 973 17783479
		Kavalani & Sons W.L.L. P.O. Box 71, Sitra, Manama	info@kavalani.com pradeep@kavalani.com	Tel: 973 17732888 Fax: 973 17737379
	Kuwait	Al Omar Technical Co. P.O. Box 4062, Safat 13041, Kuwait	alexotc@usa.net	Tel: 965 24848595 / 24840039 Fax: 965 24845652
Fawaz Al Zayani Establishment P.O. Box 42426, Shop No.18, Al Humaizi Commercial Complex, Khalifa Al Jassim, Shuwaikh		dewaltkuwait@hotmail.com	Tel: 965 24828710 Fax: 965 24828716	
Fawaz Al Zayani Establishment Fahaheel Industrial Area, Main St., Sanaya		dewaltkuwait@hotmail.com	Tel: 965 23925830 Fax: 965 24828716	
Oman	Al Jizzi Company LLC P.O. Box 1704, P.C. 112, Ruwi	aljizied@omantel.net.om jizzi10@omantel.net.om	Tel: 968 24832618 / 24835153 Fax: 968 24831334 / 24836460	
	Al Hassan Technical & Construction Supplies Co. LLC P.O. Box 1948, P.C. 112, Ruwi	hamriya.sr@al-hassan.com abrar.h@al-hassan.com	Tel: 968 24810575 / 24837054 Fax: 968 24810287 / 24833080	
	Oman Hardware Co. LLC P.O. Box 635, Ruwi Postal Code 112	omanhard@omantel.net.om	Tel: 968 24815131 Fax: 968 24816491	
	Khimji Ramdas P.O. Box 19, Post Code 100, Ghala, Muscat	bilal.m@khimjiramdas.com	Tel: 968 24595906/ 907 Fax: 968 24852752	
	Qatar	Teyseer Industrial Supplies & Services Co. WLL 55, Al Wakalat St. (Between St. 18 & 19) Salwa Industrial Area, P.O. Box 40523 Doha	manish@tissco-qatar.com tool.service@tissco-qatar.com	Tel: 974 4581536 Fax: 974 4682024
Shaheen Electrical Works & Trading Co. WLL Gate 34, St. 44 Industrial Area P.O. Box 9756, Doha		shaheenelc@gmail.com	Tel: 974 460 02 30 / 460 05 25 Fax: 974 460 13 38	
KSA	Industrial Material Organization (IMO) P.O. Box 623, Rail Street, Riyadh	service@imo.com.sa	Tel: 966-1 4028010 Ext. 26 Tel: 966-1 8001245757 Fax: 966-1 4037970	
	Fawaz Ebrahim Al Zayani Trading Est. P.O. Box 76026, Al Raka : 31952	dewaltdammam@hotmail.com	Tel: 966-3 8140914 Fax: 966-3 8140824	
	MSS (Al-Mojil Supply & Services) P.O. Box 450, Jubail 31951 Opp-Gulf Bridge Library & Riyadh House	mssjubail@almojilservices.com alex.chang@almojilservices.com	Tel: 966-3 3612850 / 3624487 Tel: 966-3 3621729 Fax: 966-3 3623589 / 3620783	
	EAC (Al Yousef Contg. & Trdg. Est.) P.O. Box 30377, Jeddah -21477	golamkibria77@yahoo.com	Tel: 966-2 6519912 Fax: 966-2 6511153	
	Mohamed Ahmed Bin Afif Est. P.O. Box 530, Yanbu, Al Bahr	binafifyanbu@hotmail.com	Tel: 966-4 3222626 / 3228867 Fax: 966-4 3222210	
	Garziz Trading for Bldg Mat & Decoration P.O. Box 3364, Madina	agarziz@yahoo.com	Tel: 966-4 826 14 90 / 822 76 36 Fax: 966-4 826 57 41	
	Sultan Garment Factory (RSC) P.O. Box 29912, Riyadh 11467	rscservice@diginet.sa	Tel: 966-1 4055148 / 4042889 Fax: 966-1 4055148	
	Al Bawardi Tools & Hardware P.O. Box 112, Dammam 31411	asattar@albawardi.com nibanez@albawardi.com	Tel: 966-3 8330780 Ext. 24 Tel: 966-3 8348585 Ext. 24 Fax: 966-3 8336303	
	Al Bawardi Tools & Hardware P.O. Box 68, Riyadh 11411	rbaltao@albawardi.com asamad@albawardi.com	Tel: 966-1 4484999 Fax: 966-3 4487877	
	Al Bawardi Tools & Hardware P.O. Box 16905, Jeddah 21474	sharadji@albawardi.com fgaber@albawardi.com	Tel: 966-2 6444547 / 6439035 Tel: 966-2 6456095 Fax: 966-2 6439024	