

**DEWALT®**

[www.DEWALT.com](http://www.DEWALT.com)

**DW831**  
**DW840**

---

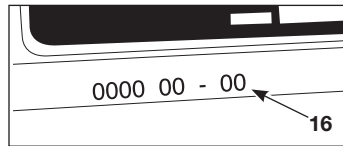
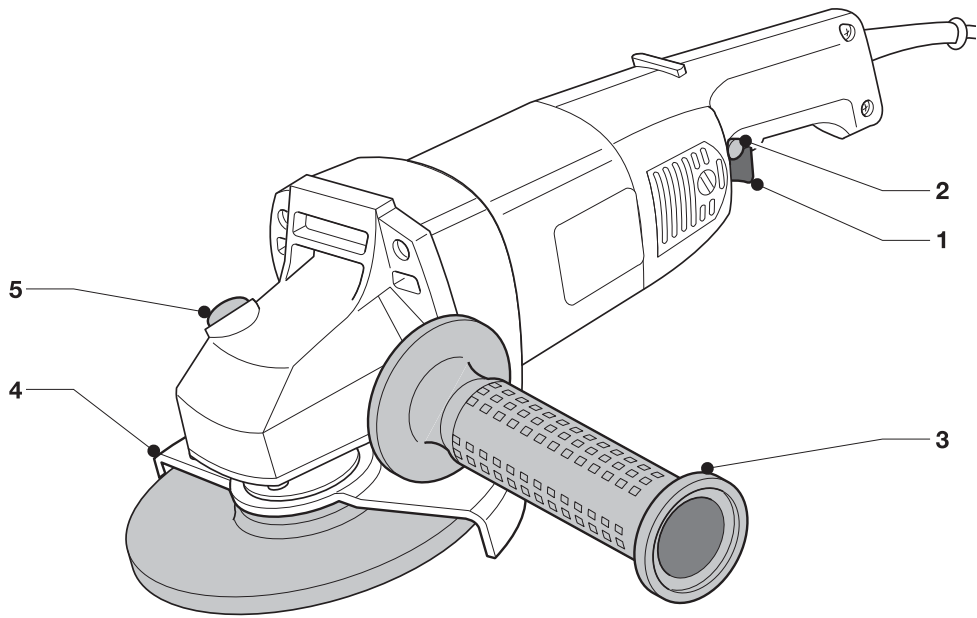
**English** (*original instructions*)

**5**

---

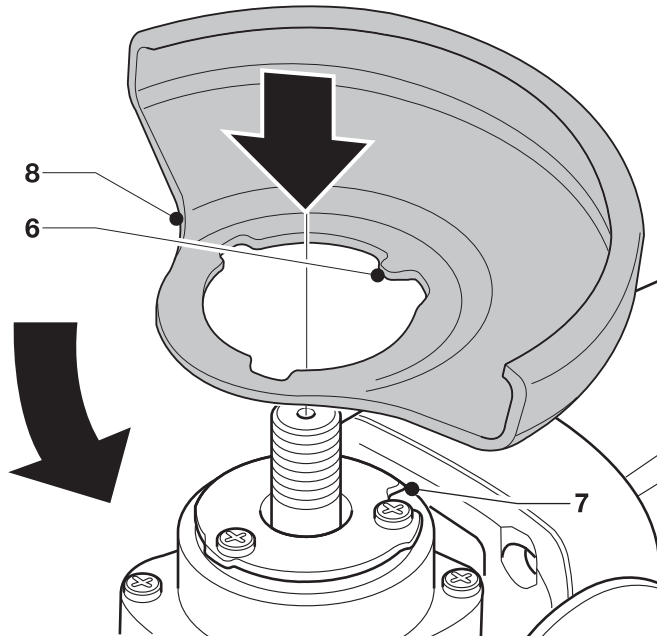
**Français** (*traduction de la notice d'instructions originale*)

**16**



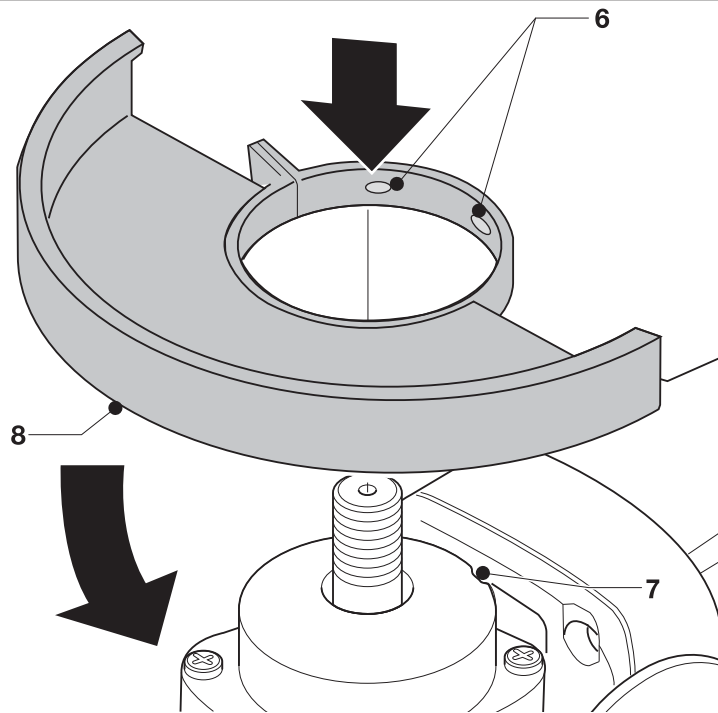
**A**

DW831



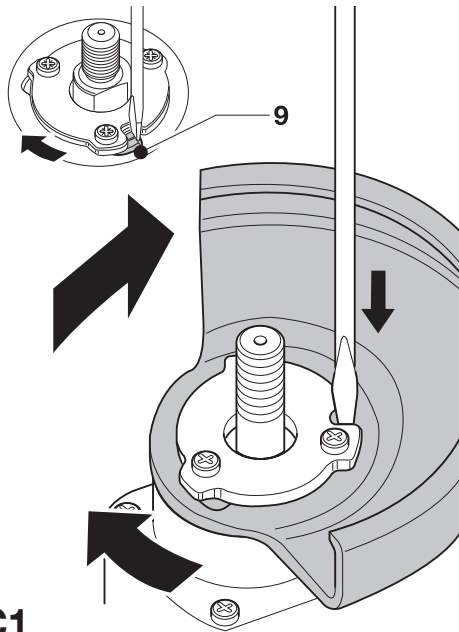
B1

DW840



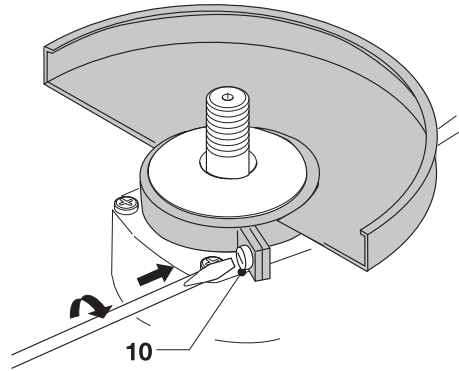
B2

DW831

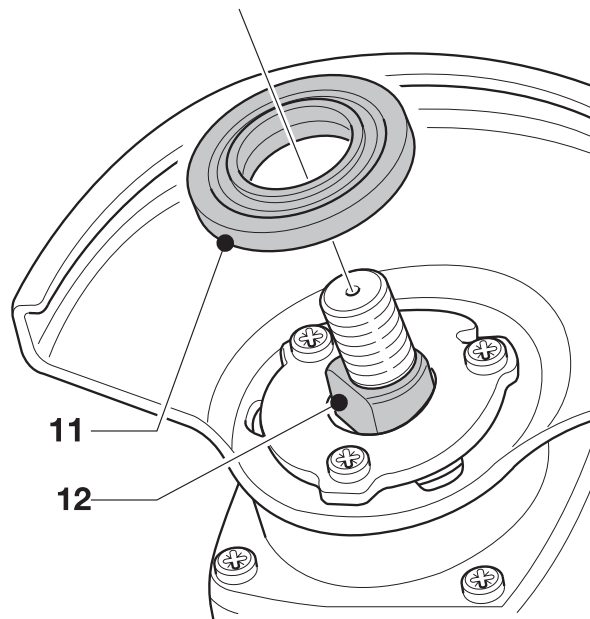


C1

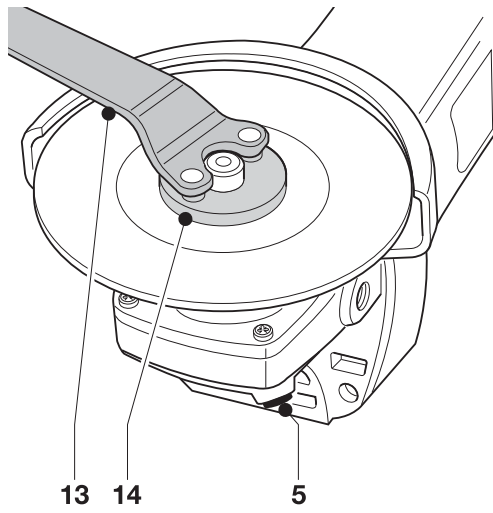
DW840



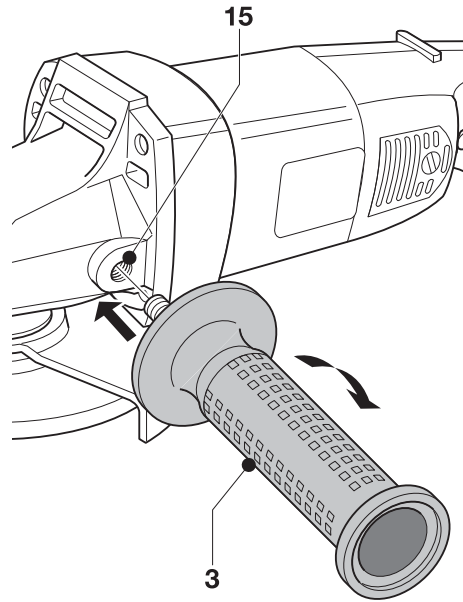
C2



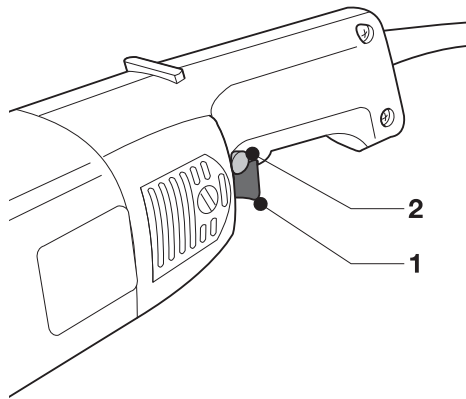
D



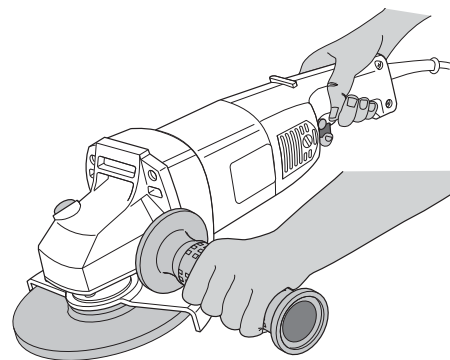
**E**



**F**



**G**



**H**

# MEDIUM ANGLE GRINDER DW831/DW840

## Congratulations!

You have chosen a DEWALT tool. Years of experience, thorough product development and innovation make DEWALT one of the most reliable partners for professional power tool users.

## Technical Data

		DW831	DW840
Voltage	V <sub>AC</sub>	220/240 120	220/240 120
Type		4	3
Power input	W	1400	1800
Rated speed	min <sup>-1</sup>	10000	8000
Wheel diameter	mm	125	180
Max. wheel width	mm	6.5	7.0
Spindle diameter		M14	M14
Spindle length	mm	19	19
Weight	kg	3.1	4.0

## Definitions: Safety Guidelines

The definitions below describe the level of severity for each signal word. Please read the manual and pay attention to these symbols.



**DANGER:** Indicates an imminently hazardous situation which, if not avoided, **will** result in **death or serious injury**.



**WARNING:** Indicates a potentially hazardous situation which, if not avoided, **could** result in **death or serious injury**.



**CAUTION:** Indicates a potentially hazardous situation which, if not avoided, **may** result in **minor or moderate injury**.

**NOTICE:** Indicates a practice **not related to personal injury** which, if not avoided, **may** result in **property damage**.



Denotes risk of electric shock.



Denotes risk of fire.



**WARNING:** To reduce the risk of injury, read the instruction manual.

## General Power Tool Safety Warnings



**WARNING! Read all safety warnings and all instructions.** Failure to follow the warnings and instructions may result in electric shock, fire and/or serious injury.

### SAVE ALL WARNINGS AND INSTRUCTIONS FOR FUTURE REFERENCE

The term "power tool" in the warnings refers to your mains-operated (corded) power tool or battery-operated (cordless) power tool.

#### 1) WORK AREA SAFETY

- Keep work area clean and well lit.** Cluttered or dark areas invite accidents.
- Do not operate power tools in explosive atmospheres, such as in the presence of flammable liquids, gases or dust.** Power tools create sparks which may ignite the dust or fumes.
- Keep children and bystanders away while operating a power tool.** Distractions can cause you to lose control.

#### 2) ELECTRICAL SAFETY

- Power tool plugs must match the outlet. Never modify the plug in any way. Do not use any adapter plugs with earthed (grounded) power tools.** Unmodified plugs and matching outlets will reduce risk of electric shock.
- Avoid body contact with earthed or grounded surfaces such as pipes, radiators, ranges and refrigerators.** There is an increased risk of electric shock if your body is earthed or grounded.
- Do not expose power tools to rain or wet conditions.** Water entering a power tool will increase the risk of electric shock.
- Do not abuse the cord. Never use the cord for carrying, pulling or unplugging the power tool. Keep cord away from heat, oil, sharp edges or moving parts.** Damaged or entangled cords increase the risk of electric shock.
- When operating a power tool outdoors, use an extension cord suitable for outdoor use.** Use of a cord suitable for outdoor use reduces the risk of electric shock.

## ENGLISH

---

- f) **If operating a power tool in a damp location is unavoidable, use a residual current device (RCD) protected supply.** Use of an RCD reduces the risk of electric shock.

### 3) PERSONAL SAFETY

- a) **Stay alert, watch what you are doing and use common sense when operating a power tool. Do not use a power tool while you are tired or under the influence of drugs, alcohol or medication.** A moment of inattention while operating power tools may result in serious personal injury.
- b) **Use personal protective equipment. Always wear eye protection.** Protective equipment such as dust mask, non-skid safety shoes, hard hat, or hearing protection used for appropriate conditions will reduce personal injuries.
- c) **Prevent unintentional starting. Ensure the switch is in the off position before connecting to power source and/or battery pack, picking up or carrying the tool.** Carrying power tools with your finger on the switch or energising power tools that have the switch on invites accidents.
- d) **Remove any adjusting key or wrench before turning the power tool on.** A wrench or a key left attached to a rotating part of the power tool may result in personal injury.
- e) **Do not overreach. Keep proper footing and balance at all times.** This enables better control of the power tool in unexpected situations.
- f) **Dress properly. Do not wear loose clothing or jewellery. Keep your hair, clothing and gloves away from moving parts.** Loose clothes, jewellery or long hair can be caught in moving parts.
- g) **If devices are provided for the connection of dust extraction and collection facilities, ensure these are connected and properly used.** Use of dust collection can reduce dust-related hazards.
- c) **Disconnect the plug from the power source and/or the battery pack from the power tool before making any adjustments, changing accessories, or storing power tools.** Such preventive safety measures reduce the risk of starting the power tool accidentally.
- d) **Store idle power tools out of the reach of children and do not allow persons unfamiliar with the power tool or these instructions to operate the power tool.** Power tools are dangerous in the hands of untrained users.
- e) **Maintain power tools. Check for misalignment or binding of moving parts, breakage of parts and any other condition that may affect the power tool's operation. If damaged, have the power tool repaired before use.** Many accidents are caused by poorly maintained power tools.
- f) **Keep cutting tools sharp and clean.** Properly maintained cutting tools with sharp cutting edges are less likely to bind and are easier to control.
- g) **Use the power tool, accessories and tool bits etc., in accordance with these instructions taking into account the working conditions and the work to be performed.** Use of the power tool for operations different from those intended could result in a hazardous situation.

### 5) SERVICE

- a) **Have your power tool serviced by a qualified repair person using only identical replacement parts.** This will ensure that the safety of the power tool is maintained.

## ADDITIONAL SPECIFIC SAFETY RULES

### Safety Instructions for all Operations

- a) **This power tool is intended to function as a grinder, sander or cut-off tool. Read all safety warnings, instructions, illustrations and specifications provided with this power tool.** Failure to follow all instructions listed below may result in electric shock, fire and/or serious injury.
- b) **Operations such as polishing and wire brushing are not recommended to be performed with this power tool.** Operations for which the power tool was not designed may create a hazard and cause personal injury.

### 4) POWER TOOL USE AND CARE

- a) **Do not force the power tool. Use the correct power tool for your application.** The correct power tool will do the job better and safer at the rate for which it was designed.
- b) **Do not use the power tool if the switch does not turn it on and off.** Any power tool that cannot be controlled with the switch is dangerous and must be repaired.



- c) **Do not use accessories which are not specifically designed and recommended by the tool manufacturer.** Just because the accessory can be attached to your power tool, it does not assure safe operation.
- d) **The rated speed of the accessory must be at least equal to the maximum speed marked on the power tool.** Accessories running faster than their rated speed can break and fly apart.
- e) **The outside diameter and the thickness of your accessory must be within the capacity rating of your power tool.** Incorrectly sized accessories can not be adequately guarded or controlled
- f) **The arbour size of wheels, flanges, backing pads or any other accessory must properly fit the spindle of the power tool.** Accessories with arbour holes that do not match the mounting hardware of the power tool will run out of balance, vibrate excessively and may cause loss of control.
- g) **Do not use a damaged accessory. Before each use inspect the accessory such as abrasive wheel for chips and cracks. If power tool or accessory is dropped, inspect for damage or install an undamaged accessory. After inspecting and installing an accessory, position yourself and bystanders away from the plane of the rotating accessory and run the power tool at maximum no-load speed for one minute.** Stop immediately if there is a considerable vibration or if other defects are detected. If this condition occurs, check the machine to determine the cause. Always store the abrasive wheel safely and on dry places outside of the reach of children. Damaged accessories will normally break apart during this test time.
- h) **Wear personal protective equipment. Depending on application, use face shield, safety goggles or safety glasses. As appropriate, wear dust mask, hearing protectors, gloves and shop apron capable of stopping small abrasive or workpiece fragments.** The eye protection must be capable of stopping flying debris generated by various operations. The dust mask or respirator must be capable of filtrating particles generated by your operation. Prolonged exposure to high intensity noise may cause hearing loss.
- i) **Keep bystanders a safe distance away from work area. Anyone entering the work area must wear personal protective equipment.** Fragments of workpiece or of a broken accessory may fly away and cause injury beyond immediate area of operation.
- j) **Hold power tool by insulated gripping surfaces only, when performing an operation where the cutting accessory may contact hidden wiring or its own cord.** Cutting accessory contacting a "live" wire may make exposed metal parts of the power tool "live" and could give the operator an electric shock.
- k) **Position the cord clear of the spinning accessory.** If you lose control, the cord may be cut or snagged and your hand or arm may be pulled into the spinning accessory.
- l) **Never lay the power tool down until the accessory has come to a complete stop.** The spinning accessory may grab the surface and pull the power tool out of your control.
- m) **Do not run the power tool while carrying it at your side.** Accidental contact with the spinning accessory could snag your clothing, pulling the accessory into your body.
- n) **Regularly clean the power tool's air vents.** The motor's fan will draw the dust inside the housing and excessive accumulation of powdered metal may cause electrical hazards.
- o) **Do not operate the power tool near flammable materials.** Sparks could ignite these materials.
- p) **Do not use accessories that require liquid coolants.** Using water or other liquid coolants may result in electrocution or shock.

## FURTHER SAFETY INSTRUCTIONS FOR ALL OPERATIONS

### Causes and Operator Prevention of Kickback

Kickback is a sudden reaction to a pinched or snagged rotating wheel or any other accessory. Pinching or snagging causes rapid stalling of the rotating accessory which in turn causes the uncontrolled power tool to be forced in the direction opposite of the accessory's rotation at the point of the binding.

For example, if an abrasive wheel is snagged or pinched by the workpiece, the edge of the wheel that is entering into the pinch point can dig into the surface of the material causing the wheel to climb out or kick out. The wheel may either jump toward or away from the operator, depending on direction of the wheel's movement at the point of pinching. Abrasive wheels may also break under these conditions.

## ENGLISH

Kickback is the result of tool misuse and/or incorrect operating procedures or conditions and can be avoided by taking proper precautions as given below:

- a) **Maintain a firm grip on the power tool and position your body and arm to allow you to resist kickback forces. Always use auxiliary handle, if provided, for maximum control over kickback or torque reaction during start up.** The operator can control torque reaction or kickback forces, if proper precautions are taken.
- b) **Never place your hand near the rotating accessory.** Accessory may kickback over your hand.
- c) **Do not position your body in the area where power tool will move if kickback occurs.** Kickback will propel the tool in direction opposite to the wheel's movement at the point of snagging.
- d) **Use special care when working corners, sharp edges etc. Avoid bouncing and snagging the accessory.** Corners, sharp edges or bouncing have a tendency to snag the rotating accessory and cause loss of control or kickback.
- e) **Do not attach a saw chain woodcarving blade or toothed saw blade.** Such blades create frequent kickback and loss of control.

### Safety Warnings Specific for Grinding and Cutting-Off Operations

- a) **Use only wheel types that are recommended for your power tool and the specific guard designed for the selected wheel.** Wheels for which the power tool was not designed cannot be adequately guarded and are unsafe.
- b) **The guard must be securely attached to the power tool and positioned for maximum safety, so the least amount of wheel is exposed towards the operator.** The guard helps to protect the operator from broken wheel fragments and accidental contact with wheel and sparks that could ignite clothing.
- c) **Wheels must be used only for recommended applications. For example: do not grind with the side of cut-off wheel.** Abrasive cut-off wheels are intended for peripheral grinding, side forces applied to these wheels may cause them to shatter.

- d) **Always use undamaged wheel flanges that are of correct size and shape for your selected wheel.** Proper wheel flanges support the wheel thus reducing the possibility of wheel breakage. Flanges for cut-off wheels may be different from grinding wheel flanges.
- e) **Do not use worn down wheels from larger power tools.** Wheel intended for larger power tool is not suitable for the higher speed of a smaller tool and may burst.

### Additional Safety Warnings Specific for Cutting-Off Operations

- a) **Do not "jam" the cut-off wheel or apply excessive pressure. Do not attempt to make an excessive depth of cut.** Overstressing the wheel increases the loading and susceptibility to twisting or binding of the wheel in the cut and the possibility of kickback or wheel breakage.
- b) **Do not position your body in line with and behind the rotating wheel.** When the wheel, at the point of operations, is moving away from your body, the possible kickback may propel the spinning wheel and the power tool directly at you.
- c) **When wheel is binding or when interrupting a cut for any reason, switch off the power tool and hold the power tool motionless until the wheel comes to a complete stop. Never attempt to remove the cut-off wheel from the cut while the wheel is in motion otherwise kickback may occur.** Investigate and take corrective action to eliminate the cause of wheel binding.
- d) **Do not restart the cutting operation in the workpiece. Let the wheel reach full speed and carefully re-enter the cut.** The wheel may bind, walk up or kickback if the power tool is restarted in the workpiece.
- e) **Support panels or any oversized workpiece to minimize the risk of wheel pinching and kickback.** Large workpieces tend to sag under their own weight. Supports must be placed under the workpiece near the line of cut and near the edge of the workpiece on both sides of the wheel.
- f) **Use extra caution when making a "pocket cut" into existing walls or other blind areas.** The protruding wheel may cut gas or water pipes, electrical wiring or objects that can cause kickback.

## Safety Warnings Specific for Sanding Operations

- a) **Do not use excessively oversized sanding disc paper. Follow manufacturer's recommendations, when selecting sanding paper.** Larger sanding paper extending beyond the sanding pad presents a laceration hazard and may cause snagging, tearing of the disc or kickback.

## Additional Safety Information

- Threaded mounting of accessories must match the grinder spindle thread. For accessories mounted by flanges, the arbor hole of the accessory must fit the locating diameter of the flange. Accessories that do not match the mounting hardware of the power tool will run out of balance, vibrate excessively and may cause loss of control.
- The grinding surface of the centre depressed wheels must be mounted below the plane of the guard lip. An improperly mounted wheel that projects through the plane of the guard lip cannot be adequately protected.
- This tool is not designed to be used with wire wheels and wire cup.

## Residual Risks

In spite of the application of the relevant safety regulations and the implementation of safety devices, certain residual risks cannot be avoided. These are:

- Impairment of hearing
- Risk of personal injury due flying particles.
- Risk of burns due to accessories becoming hot during operation.
- Risk of personal injury due to prolonged use.
- Risk of dust from hazardous substances.

## Markings on Tool

In addition to the pictographs used in this manual, the labels on the tool show the following pictographs:



Read instruction manual before use.



Wear safety glasses.



Wear ear protection.

## DATE CODE POSITION (FIG. A)

The Date Code (16), which also includes the year of manufacture, is printed into the housing.

Example:

2013 XX XX

Year of Manufacture

## Package Contents

The package contains:

- 1 Angle grinder
  - 1 Guard
  - 1 Side handle
  - 1 Flange set
  - 1 Two-pin spanner
  - 1 Instruction manual
  - 1 Exploded drawing
- Check for damage to the tool, parts or accessories which may have occurred during transport.
  - Take the time to thoroughly read and understand this manual prior to operation.

## Description (fig. A)



**WARNING:** Never modify the power tool or any part of it. Damage or personal injury could result.

- 1 ON/OFF switch
- 2 Lock-off button
- 3 Side handle
- 4 Guard
- 5 Spindle lock

## INTENDED USE

Your DW831/DW840 heavy-duty angle grinders have been designed for professional grinding, sanding and cutting-off applications.

**DO NOT** use under wet conditions or in the presence of flammable liquids or gases.

**DO NOT** use grinding wheels other than fibre reinforced centre depressed wheels and flap-disk.

These heavy-duty angle grinders are professional power tools.

**DO NOT** let children come into contact with the tool. Supervision is required when inexperienced operators use this tool.

## ENGLISH

- This product is not intended for use by persons (including children) suffering from diminished physical, sensory or mental abilities; lack of experience, knowledge or skills unless they are supervised by a person responsible for their safety. Children should never be left alone with this product.

### Electrical Safety

The electric motor has been designed for one voltage only. Always check that the power supply corresponds to the voltage on the rating plate.



Your DEWALT tool is double insulated in accordance with EN 60745; therefore no earth wire is required.



**WARNING:** 120 V units have to be operated via a fail-safe isolating transformer with an earth screen between the primary and secondary winding.

If the supply cord is damaged, it must be replaced by a specially prepared cord available through the DEWALT service organisation.

### Mains Plug Replacement (Middle East and Africa)

If a new mains plug needs to be fitted:

- Safely dispose of the old plug.
- Connect the brown lead to the live terminal in the plug.
- Connect the blue lead to the neutral terminal.



**WARNING:** No connection is to be made to the earth terminal.

Follow the fitting instructions supplied with good quality plugs. Recommended fuse: 13 A.

### Using an Extension Cable

If an extension cable is required, use an approved 3-core extension cable suitable for the power input of this tool (see **Technical Data**). The minimum conductor size is 1.5 mm<sup>2</sup>; the maximum length is 30 m.

When using a cable reel, always unwind the cable completely.

### ASSEMBLY AND ADJUSTMENT



**WARNING:** To reduce the risk of serious personal injury, turn tool off and disconnect tool from power source before making any adjustments or removing/installing

**attachments or accessories.** Before reconnecting the tool, depress and release the trigger switch to ensure that the tool is off. An accidental start-up can cause injury.

### Attaching the Side Handle (fig. F)



**WARNING:** Before using the tool, check that the handle is tightened securely.



**WARNING:** The side handle should always be used to maintain control of the tool at all times.

Screw the side handle (3) tightly into one of the holes (15) on either side of the gear case.

### Mounting and Removing the Guard



**WARNING:** Guards must be used with this grinder.

#### DW831 - MOUNTING (FIG. B1 & C1)

- Place the angle grinder on a table, spindle up.
- Align the lug (6) with the slot (7) in the bracket.
- Press the guard (8) down and turn it in the direction of the arrow (fig. B1).



**WARNING:** The guard locking pin (9) prevents the guard from coming loose.

#### DW831 - REMOVING (FIG. B1 & C1)

- Hold the tool in your hand.
- Rotate the guard (8) in the direction of the arrow (fig. C1).
- Use a screwdriver to press the locking pin (9) in the slot.
- Release the guard.

#### DW840 - MOUNTING (FIG. B2 & C2)

- Place the angle grinder on a table, spindle up.
- Align the lugs (6) with the slots (7).
- Press the guard (8) down and turn it in the direction of the arrow (fig. B2).
- Securely tighten the screws (10).

#### DW840 - REMOVING

- To remove the guard, proceed in reverse order.

### Mounting and Removing a Grinding Wheel (fig. D, E)

- Place the tool on a table, guard up.
- Fit the backing flange (11) correctly onto the spindle (12).

- Place the grinding wheel on the backing flange.
- Screw the threaded flange (14) onto the spindle (12).
- Press the spindle lock (5) and rotate the grinding wheel until it locks in position.
- Tighten the threaded flange using the two-pin spanner (13) supplied.
- Release the spindle lock.
- To remove the grinding wheel, loosen the threaded flange using the two-pin spanner (while the spindle lock is engaged).

### Fitting and Removing a Backing Pad/Sanding Sheet (fig. D, E)

- Place the tool on a table, guard up.
- Remove the backing flange (11).
- Place the rubber backing pad correctly onto the spindle (12).
- Place the sanding sheet on the rubber backing pad.
- Screw the threaded clamp nut (14) onto the spindle. The ring on the threaded clamp nut (14) must face towards the rubber backing pad.
- Press the spindle lock button (5) and rotate the spindle (12) until it locks in position.
- Tighten the threaded clamp nut (14) with the two-pin spanner.
- Release the spindle lock
- To remove the rubber backing pad, loosen the threaded clamp nut (14) with the two-pin spanner.

### Prior to Operation

- *Install the appropriate guard and disk or wheel. Do not use excessively worn disks or wheels.*
- *Do not use a damaged accessory. Before each use inspect the accessory such as abrasive wheels for chips and cracks, backing pad for cracks, tear or excess wear, wire brush for loose or cracked wires. If power tool or accessory is dropped, inspect for damage or install an undamaged accessory. After inspecting and installing an accessory, position yourself and bystanders away from the plane of the rotating accessory and run the power tool at maximum no-load speed for one minute. Damaged accessories will normally break apart during this test time.*

- *Be sure the inner and outer flange are mounted correctly. Follow the instructions given in the **Grinding and Cutting Accessory Chart**.*
- *Make sure the disk or wheel rotates in the direction of the arrows on the accessory and the tool.*
- *Do not use cutting-off wheels for side grinding.*
- *Ensure that sparks resulting from use do not create hazard e.g. do not hit persons, or ignite flammable substances.*

## OPERATION

### Instructions for Use



**WARNING:** Always observe the safety instructions and applicable regulations.



**WARNING:** To reduce the risk of serious personal injury, turn tool off and disconnect tool from power source before making any adjustments or removing/installing attachments or accessories. Before reconnecting the tool, depress and release the trigger switch to ensure that the tool is off.



**WARNING:**

- *Ensure all materials to be ground or cut are secured in place.*
- *Use clamps or a vice to hold and support the workpiece to a stable platform. It is important to clamp and support the workpiece securely to prevent the movement of the workpiece and loss of control. Movement of the workpiece or loss of control may create a hazard and cause personal injury.*
- *Secure the workpiece. A workpiece clamped with clamping devices or in a vice is held more secure than by hand.*
- *Support panels or any oversized workpiece to minimize the risk of wheel pinching and kickback. Large workpieces tend to sag under their own weight. Supports must be placed under the workpiece near the line of cut and near the edge of the workpiece on both sides of the wheel.*
- *Always wear regular working gloves while operating this tool.*

- The gear case becomes very hot during use.
- Apply only a gentle pressure to the tool. Do not exert side pressure on the disc.
- Avoid overloading. Should the tool become hot, let it run a few minutes under no load condition to cool the accessory. Do not touch accessories before they have cooled. The discs become very hot during use.
- Do not use separate reducing bushings or adapters to adapt large hole abrasive wheels.
- Never use the tool without the guard in place.
- The tool is not designed to be used with a grinding cup.
- Do not use the power tool with a cut-off stand.
- Never use blotters together with bonded abrasive products.
- Be aware, the wheel continues to rotate after the tools is switched off.

### Proper Hand Position (fig. A, H)



**WARNING:** To reduce the risk of serious personal injury, **ALWAYS** use proper hand position as shown.



**WARNING:** To reduce the risk of serious personal injury, **ALWAYS** hold securely in anticipation of a sudden reaction.

Proper hand position requires one hand on the side handle (3), with the other hand on the body of the tool, as shown in figure H.

### Switching On and Off (fig. G)



**WARNING:** Before using tool, check that the handle is tightened securely.



**CAUTION:** Hold the side handle and body of the tool firmly to maintain control of the tool at start up and during use and until the wheel or accessory stops rotating. Make sure the wheel has come to a complete stop before laying the tool down.

- To run the tool, press the lock-off button (2) and the On/Off switch (1).

- To stop the tool, release the On/Off switch.



**WARNING:** Do not switch the tool On or Off when under load.

### Spindle Lock (fig. A)

The spindle lock (5) is provided to prevent the spindle from rotating when installing or removing wheels. Operate the spindle lock only when the tool is turned off, unplugged from the power supply, and has come to a complete stop.

**NOTICE:** To reduce the risk of damage to the tool, do not engage the spindle lock while the tool is operating. Damage to the tool will result and attached accessory may spin off possibly resulting in injury.

To engage the lock, depress the spindle lock button and rotate the spindle until you are unable to rotate the spindle further.

### Metal Applications

When using the tool in metal applications, make sure that a residual current device (RCD) has been inserted to avoid residual risks caused by metal swarf.

If the power supply is shut off by the RCD, take the tool to authorised DEWALT repair agent.



**WARNING:** In extreme working conditions, conductive dust can accumulate inside the machine housing when working with metal. This can result in the protective insulation in the machine becoming degraded with a potential risk of an electrical shock.

To avoid build-up of metal swarf inside the machine, we recommend to clear the ventilation slots on a daily basis. See **Maintenance**.

### Using Flap Discs



**WARNING: Metal dust build-up.** Extensive use of flap discs in metal applications can result in the increased potential for electric shock. To reduce this risk, insert an RCD before use and clean the ventilation slots daily by blowing dry compressed air into the ventilation slots in accordance with the below maintenance instructions.

## Rough Grinding

### Never use a cutting disc for roughing.

The best roughing results are achieved when setting the machine at an angle of 30° to 40°. Move the machine back and forth with moderate pressure. In this manner, the workpiece will not become too hot, does not discolour and no grooves are formed.

## Cutting Stone

### The machine shall be used only for dry cutting.

For cutting stone, it is best to use a diamond cutting disc.

Operate the machine only with additional dust protection mask.

## Working Advice


### Exercise caution when cutting slots in structural walls.

Slots in structural walls are subject to the country-specific regulations. These regulations are to be observed under all circumstances.

Before beginning work, consult the responsible structural engineer, architect or the construction supervisor.

## MAINTENANCE

Your DEWALT power tool has been designed to operate over a long period of time with a minimum of maintenance. Continuous satisfactory operation depends upon proper tool care and regular cleaning.

 **WARNING: To reduce the risk of serious personal injury, turn tool off and disconnect tool from power source before making any adjustments or removing/installing attachments or accessories.** Before reconnecting the tool, depress and release the trigger switch to ensure that the tool is off. An accidental start-up can cause injury.

## Pop-off Brushes

The motor will be automatically shut off indicating that the carbon brushes are nearly worn out and that the tool needs servicing. The carbon brushes are not user-serviceable. Take the tool to an authorised DEWALT repair agent.



## Lubrication

Your power tool requires no additional lubrication.



## Cleaning



**WARNING:** Blow dirt and dust out of the main housing with dry air as often as dirt is seen collecting in and around the air vents. Wear approved eye protection and approved dust mask when performing this procedure.



**WARNING:** Never use solvents or other harsh chemicals for cleaning the non-metallic parts of the tool. These chemicals may weaken the materials used in these parts. Use a cloth dampened only with water and mild soap. Never let any liquid get inside the tool; never immerse any part of the tool into a liquid.

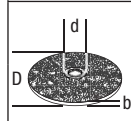
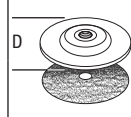
## Optional Accessories



**WARNING:** Since accessories, other than those offered by DEWALT, have not been tested with this product, use of such accessories with this tool could be hazardous. To reduce the risk of injury, only DEWALT recommended accessories should be used with this product.

Consult your dealer for further information on the appropriate accessories.

ACCESSORY TABLE

	Max. [mm]			Min. Rotation [min. <sup>-1</sup> ]	Peripheral speed [m/s]	Threaded hole length [mm]
	D	b	d			
	DW831 125	8	22.23	DW831 10000	80	-
	DW840 180			DW840 8000		
	DW831 125	-	-	DW831 10000	80	-
	DW840 180			DW840 8000		

## Protecting the Environment



Separate collection. This product must not be disposed of with normal household waste.



Should you find one day that your DEWALT product needs replacement, or if it is of no further use to you, do not dispose of it with household waste. Make this product available for separate collection.



Separate collection of used products and packaging allows materials to be recycled and used again. Re-use of recycled materials helps prevent environmental pollution and reduces the demand for raw materials.

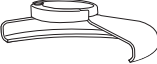

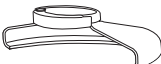





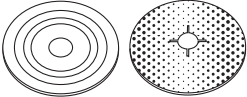




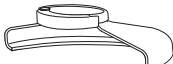

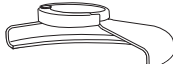



Local regulations may provide for separate collection of electrical products from the household, at municipal waste sites or by the retailer when you purchase a new product.

DEWALT provides a facility for the collection and recycling of DEWALT products once they have reached the end of their working life. To take advantage of this service please return your product to any authorised repair agent who will collect them on our behalf.

You can check the location of your nearest authorised repair agent by contacting your local DEWALT office at the address indicated in this manual. Alternatively, a list of authorised DEWALT repair agents and full details of our after-sales service and contacts are available on the Internet at: **[www.2helpU.com](http://www.2helpU.com)**.



**GRINDING AND CUTTING ACCESSORY CHART**

<i>Guard Type</i>	<i>Accessory</i>	<i>Description</i>	<i>How to Fit Grinder</i>
 <b>TYPE 27 GUARD</b>		Depressed centre grinding disc	 Type 27 guard
		Flap wheel	 Backing flange    Type 27 depressed centre wheel   Threaded clamp nut
		Backing pad/ sanding sheet	 Type 27 guard   Rubber backing pad   Sanding disc   Threaded clamp nut
 <b>TYPE 27 GUARD</b>		Diamond cutting wheels	 Type 27 guard   Backing flange   Cutting wheel   Threaded clamp nut

# MEULEUSE D'ANGLE

## DW831/DW840

### Félicitations !

Vous avez choisi un outil DEWALT. Des années d'expertise dans le développement et l'innovation de ses produits ont fait de DEWALT, le partenaire privilégié des utilisateurs professionnels d'outils électriques.

### Caractéristiques techniques

		DW831	DW840
Tension	V <sub>AC</sub>	220/240	220/240
		120	120
Type		4	3
Puissance absorbée	W	1400	1800
Vitesse nominale	min <sup>-1</sup>	10000	8000
Diamètre de meule/disque	mm	125	180
Largeur maxi. de meule/disque	mm	6,5	7,0
Diamètre de broche		M14	M14
Longueur de broche	mm	19	19
Poids	kg	3,1	4,0

### Définitions : consignes de sécurité

Les définitions ci-après décrivent le degré de risques associé à chaque balise. Lire soigneusement la notice d'instructions et respecter ces symboles.

de danger imminent qui, si rien n'est fait pour l'éviter, **aura** comme conséquences la **mort ou des dommages corporels graves**.



**AVERTISSEMENT** : indique une situation de danger potentiel qui, si rien n'est fait pour l'éviter, **pourra** avoir comme conséquences la **mort ou des dommages corporels graves**.



**ATTENTION** : indique une situation de danger potentiel qui, si rien n'est fait pour l'éviter, **pourrait** avoir comme conséquences des **dommages corporels mineurs ou moindres**.

**AVIS** : indique une pratique ne **posant aucun risque de dommages corporels**, mais qui par contre, si rien n'est fait pour l'éviter, **pourrait** poser des **risques de dommages matériels**.



Indique des risques de décharges électriques.



Indique des risques d'incendie.



**AVERTISSEMENT** : pour réduire tout risque de dommages corporels, lire la notice d'instructions

### Consignes de sécurité générales propres aux outils électriques



**AVERTISSEMENT ! lire toutes les directives et consignes de sécurité.** Tout manquement aux directives et consignes ci-incluses comporte des risques de décharges électriques, d'incendie et/ou de dommages corporels graves.

#### CONSERVER TOUTES CES DIRECTIVES ET CONSIGNES À TITRE DE RÉFÉRENCE

Le terme « outil électrique » mentionné dans les avertissements ci-après se rapporte aux outils alimentés sur secteur (avec fil) ou par piles (sans fil).

#### 1) SÉCURITÉ – AIRE DE TRAVAIL

- Maintenir l'aire de travail propre et bien éclairée.** Les lieux sombres ou encombrés sont propices aux accidents.
- Ne pas utiliser un outil électrique dans un milieu déflagrant, comme en présence de liquides, gaz ou poussières inflammables.** Les outils électriques peuvent produire des étincelles qui pourraient enflammer toute émanation ou poussière ambiante.
- Maintenir à l'écart les enfants, ou toute autre personne, lors de l'utilisation d'un outil électrique.** Toute distraction pourrait faire perdre la maîtrise de l'appareil.

#### 2) SÉCURITÉ – ÉLECTRICITÉ

- La fiche électrique de l'outil doit correspondre à la prise murale. Ne modifier la fiche en aucune façon. Ne pas utiliser de fiche d'adaptation avec un outil électrique mis à la terre (masse).** L'utilisation de fiches d'origine et de prises appropriées réduira tout risque de décharges électriques.
- Éviter tout contact corporel avec des éléments mis à la terre comme : tuyaux, radiateurs, cuisinières ou réfrigérateurs.** Les risques de décharges électriques augmentent lorsque le corps est mis à la terre.

- c) **Ne pas exposer les outils électriques à la pluie ou à l'humidité.** Tout contact d'un outil électrique avec un liquide augmente les risques de décharges électriques.
- d) **Ne pas utiliser le cordon de façon abusive. Ne jamais utiliser le cordon pour transporter, tirer ou débrancher un outil électrique. Protéger le cordon de toute source de chaleur, de l'huile, et de tout bord tranchant ou pièce mobile.** Les cordons endommagés ou emmêlés augmentent les risques de décharges électriques.
- e) **En cas d'utilisation d'un outil électrique à l'extérieur, utiliser systématiquement une rallonge conçue à cet effet.** Cela diminuera tout risque de décharges électriques.
- f) **Si on ne peut éviter d'utiliser un outil électrique en milieu humide, utiliser un circuit protégé par un dispositif de courant résiduel (RCD).** Cela réduira tout risque de décharges électriques.

### 3) SÉCURITÉ INDIVIDUELLE

- a) **Rester systématiquement vigilant et faire preuve de jugement lorsqu'on utilise un outil électrique. Ne pas utiliser d'outil électrique en cas de fatigue ou sous l'influence de drogues, d'alcool ou de médicaments.** Tout moment d'inattention pendant l'utilisation d'un outil électrique comporte des risques de dommages corporels graves.
- b) **Porter un équipement de protection individuel. Porter systématiquement un dispositif de protection oculaire.** Le fait de porter un masque anti-poussières, des chaussures antidérapantes, un casque de sécurité ou un dispositif de protection auditive, lorsque la situation le requiert, réduira les risques de dommages corporels.
- c) **Prévenir tout démarrage accidentel. S'assurer que l'interrupteur est en position d'arrêt avant de brancher l'outil sur le secteur et/ou à la batterie, ou de le ramasser ou le transporter.** Transporter un outil le doigt sur l'interrupteur ou brancher un outil électrique alors que l'interrupteur est en position de marche invite les accidents.
- d) **Retirer toute clé de réglage avant de démarrer l'outil.** Une clé laissée sur une pièce rotative d'un outil électrique comporte des risques de dommages corporels.
- e) **Adopter une position stable. Maintenir les pieds bien ancrés au sol et conserver son équilibre en permanence.** Cela permettra de mieux maîtriser l'outil électrique en cas de situations imprévues.
- f) **Porter des vêtements appropriés. Ne porter aucun vêtement ample ou bijou. Maintenir cheveux, vêtements et gants à l'écart des pièces mobiles, car ils pourraient s'y faire prendre.**
- g) **Lorsqu'un dispositif de connexion à un système de dépoussiérage ou d'élimination est fourni, s'assurer qu'il est branché et utilisé correctement.** L'utilisation de ces dispositifs peut réduire les risques engendrés par les poussières.

### 4) UTILISATION ET ENTRETIEN DES OUTILS ÉLECTRIQUES

- a) **Ne pas forcer un outil électrique. Utiliser l'outil approprié au travail en cours.** L'outil approprié effectuera un meilleur travail, de façon plus sûre et à la vitesse pour laquelle il a été conçu.
- b) **Ne pas utiliser un outil électrique dont l'interrupteur est défectueux.** Tout appareil dont l'interrupteur est défectueux est dangereux et doit être réparé.
- c) **Débrancher la fiche du secteur et/ou la batterie de l'outil électrique avant d'effectuer tout réglage, de changer tout accessoire, ou avant de le ranger.** Ces mesures préventives réduiront tout risque de démarrage accidentel de l'appareil.
- d) **Après utilisation, ranger les outils électriques hors de portée des enfants et ne permettre à aucune personne non familière avec son fonctionnement (ou sa notice d'instructions) de l'utiliser.** Les outils peuvent être dangereux entre des mains inexpérimentées.
- e) **Entretenir les outils électriques. Vérifier les pièces mobiles pour s'assurer qu'elles sont bien alignées et tournent librement, qu'elles sont en bon état et ne sont affectées d'aucune condition susceptible de nuire au bon fonctionnement de l'outil. En cas de dommage, faire réparer l'outil électrique avant toute nouvelle utilisation.** De nombreux accidents sont causés par des outils mal entretenus.
- f) **Maintenir tout organe de coupe propre et bien affûté.** Les outils de coupe bien entretenus et affûtés sont moins susceptibles de se coincer et sont plus faciles à contrôler.
- g) **Utiliser un outil électrique, ses accessoires, mèches, etc., conformément aux présentes directives et suivant la manière prévue pour ce type particulier d'outil électrique, en tenant compte des**

*conditions de travail et de la tâche à effectuer. L'utilisation d'un outil électrique à des fins autres que celles prévues est potentiellement dangereuse.*

#### 5) RÉPARATION

- a) *Faire entretenir les outils électriques par un réparateur qualifié en n'utilisant que des pièces de rechange identiques. Cela permettra de préserver l'intégrité de l'outil électrique et la sécurité de l'utilisateur.*

### CONSIGNES PARTICULIÈRES DE SÉCURITÉ SUPPLÉMENTAIRES

#### Consignes de sécurité communes à toutes les tâches

- a) *Cet outil électrique est prévu pour être utilisé comme outil de meulage, ponçage ou tronçonnage. Tout manquement aux consignes suivantes comporte des risques de choc électrique, d'incendie et/ou de blessure grave.*
- b) *Les opérations telles que le polissage et le brossage métallique ne sont pas recommandées avec cet outil électrique. Toute opération pour laquelle l'outil n'a pas été conçu comporte des risques de dommages matériels et corporels.*
- c) *N'utilisez pas d'accessoires autres que ceux conçus spécialement et recommandés par le fabricant d'outils. Ce n'est pas parce qu'un accessoire se fixe correctement sur votre outil que son utilisation en toute sécurité est garantie.*
- d) *La vitesse nominale de l'accessoire doit être au moins égale à la vitesse maximum inscrite sur l'outil électrique. Les accessoires tournant plus vite que leur vitesse nominale peuvent se casser et voler en éclats.*
- e) *Le diamètre externe et l'épaisseur de l'accessoire doivent être dans les limites de la capacité de l'outil électrique. Des accessoires ayant des dimensions autres ne pourront pas être protégés ni maîtrisés correctement.*
- f) *L'alésage des meules, brides, tampons de soutien, ou de tout autre accessoire, doit correspondre parfaitement à la taille de la broche de l'outil électrique. Les accessoires dont l'alésage ne correspond pas au dispositif d'installation de l'outil électrique ne tourneront pas correctement, vibreront de façon excessive et pourront causer la perte de contrôle de l'outil.*
- g) *Ne pas utiliser d'accessoires endommagés. Avant toute utilisation, vérifier que les accessoires, comme les meules abrasives, ne sont endommagés en aucune façon. En cas de chute, vérifier que l'outil n'a pas été endommagé et remplacer tout accessoire abîmé. Après avoir inspecté et installé un accessoire, se situer, soi-même et tout individu présent, hors du plan de rotation de l'accessoire et laisser tourner l'outil une minute à sa vitesse à vide maximale. Arrêter l'outil immédiatement si une vibration considérable ou tout autre défaut est observé. Dans cette éventualité, examiner la machine pour en déterminer la cause. Entreposer systématiquement la meule abrasive dans un endroit sûr et sec, hors de la portée des enfants. En général, tout accessoire endommagé se brisera lors du temps d'essai.*
- h) *Portez un équipement de protection individuel. Selon l'application, utilisez un masque de protection ou des lunettes de sécurité. Si nécessaire, portez un masque anti-poussières, des protège-tympans, des gants et un tablier de protection pouvant arrêter les particules abrasives ou les fragments de pièce. Les lunettes de sécurité doivent pouvoir arrêter les débris volants produits par les diverses opérations. Le masque anti-poussières ou le masque filtrant doivent pouvoir filtrer les particules produites par l'opération. Une exposition prolongée à un bruit d'intensité élevée peut entraîner une perte auditive.*
- i) *Tenez les spectateurs à une distance sûre de l'espace de travail. Toute personne pénétrant dans l'espace de travail doit porter un équipement de protection individuel. Des fragments provenant de la pièce de travail ou d'un accessoire cassé peuvent voler en éclats et blesser les personnes se trouvant dans la zone immédiate de travail.*
- j) *Tenir l'outil par les surfaces isolées prévues à cet effet pendant toute utilisation où l'organe de coupe pourrait entrer en contact avec des fils électriques cachés ou son propre cordon. Tout contact de l'organe de coupe avec un fil sous tension peut mettre les parties métalliques exposées de l'outil sous tension et électrocuter l'utilisateur.*
- k) *Placez le cordon à l'écart de l'accessoire en rotation. Si vous perdez le contrôle, le cordon risque d'être coupé ou tiré et votre main ou votre bras peuvent être happés par l'accessoire en rotation.*

- l) **Assurez-vous que l'accessoire est complètement arrêté avant de poser l'outil.** L'accessoire en rotation risque de s'accrocher à la surface et de vous faire perdre le contrôle de l'outil.
- m) **Ne faites pas fonctionner l'outil lorsque vous le portez contre vous.** Un contact accidentel de l'accessoire en rotation risque d'happer vos vêtements et d'attirer l'outil vers vous.
- n) **Nettoyez régulièrement les bouches d'aération de l'outil.** Le ventilateur du moteur attire la poussière à l'intérieur du carter de l'outil et une accumulation excessive de poudre métallique présente un risque électrique.
- o) **N'utilisez pas l'outil à proximité de matériaux inflammables.** Des étincelles pourraient enflammer ces matériaux.
- p) **N'utilisez pas d'accessoires nécessitant un réfrigérant liquide.** L'utilisation d'eau ou d'un réfrigérant liquide peut entraîner une électrocution ou un choc électrique.

## CONSIGNES GÉNÉRALES DE SÉCURITÉ COMPLÉMENTAIRES

### Causes et prévention du recul

Les rebonds sont la conséquence du grippage ou coinçage d'une meule en rotation ou de tout autre accessoire. Tout grippage ou coinçage causera rapidement le blocage de l'accessoire en rotation, ce qui lancera l'outil non contrôlé dans la direction opposée à l'accessoire en rotation au niveau du grippage.

Par exemple, si une meule abrasive se trouve happée ou coincée par la pièce de travail, le bord de la meule rencontrant le point de blocage peut percer la surface du matériel faisant que la meule se soulève ou se dégage. La meule peut alors s'approcher ou s'éloigner de l'utilisateur, en fonction du sens de rotation de la meule à l'endroit du blocage. Les meules abrasives peuvent aussi se briser dans de telles conditions.

Le recul est le résultat d'une mauvaise utilisation de l'outil et/ou de procédures ou conditions d'utilisation incorrectes. On peut l'éviter en prenant des précautions adéquates, comme indiqué ci-dessous :

- a) **Tenez fermement l'outil électrique, et placez votre corps et votre bras de manière à pouvoir résister à la force du recul. Utilisez toujours la poignée auxiliaire (s'il y en a une) pour maîtriser au maximum le recul ou le couple de réaction au démarrage.** Par des mesures de précaution appropriées, l'utilisateur peut maîtriser les forces de recul et du couple de réaction.
- b) **Ne placez jamais votre main à proximité de l'accessoire en rotation.** Celui-ci pourrait être repoussé contre votre main.
- c) **Ne vous positionnez pas dans la zone où l'outil électrique se déplacera en cas de recul.** Le recul propulsera l'outil dans le sens inverse du mouvement de la meule à l'endroit du blocage.
- d) **Redoublez de précaution lorsque vous travaillez des coins, des bords tranchants, etc. Évitez de faire rebondir ou s'accrocher l'accessoire.** Les coins, les bords tranchants ou l'action de rebondir tendent à bloquer l'accessoire en rotation et à provoquer la perte de maîtrise ou le recul.
- e) **N'utilisez pas de lames de scie à chaînes de sculpteur ou dentées.** Ces lames provoquent fréquemment un recul ou une perte de maîtrise.

### Consignes spécifiques de sécurité additionnelles propres au tronçonnage

- a) **Utilisez uniquement les meules recommandées pour votre outil et le protecteur conçu pour la meule choisie.** Les meules pour lesquelles l'outil n'a pas été conçu ne pourront pas être protégées correctement et se révéleront dangereuses.
- b) **Le carter doit être soigneusement arrimé à l'outil électrique et installé pour optimiser la sécurité, de façon à ce que l'utilisateur soit le moins possible exposé à la meule.** Le carter doit protéger l'utilisateur contre des fragments de roue cassés, le contact accidentel et des étincelles qui pourraient enflammer les vêtements.
- c) **Les meules ne doivent être utilisées que pour les applications recommandées. Par exemple : ne procédez pas au meulage avec le côté de la meule à tronçonner.** Les meules de découpage abrasif sont conçues pour un meulage périphérique. Exercer une force latérale sur ces meules peut les briser.
- d) **Utilisez toujours des flasques pour meule en bon état, aux dimensions et forme convenant à la meule sélectionnée.** Des flasques pour meule adéquates soutiennent la meule, diminuant ainsi la possibilité d'une rupture de la meule. Les flasques pour meules à tronçonner peuvent être différentes de celles pour meule abrasive.

- e) **N'utilisez pas de meules usées provenant d'outils plus grands.** Les meules conçues pour des outils plus grands ne conviennent pas à la vitesse supérieure d'un petit outil et risquent d'éclater.

### Consignes spécifiques de sécurité propres au meulage et au tronçonnage

- a) **Ne pas gripper la meule à tronçonner ou lui appliquer une pression excessive. Ne pas tenter d'effectuer des profondeurs de coupe excessives.** Pousser excessivement la meule augmente la charge imposée à l'outil, et les possibilités de torsion ou grippage de la meule dans la coupe, et par conséquent les rebonds et bris.
- b) **Ne pas aligner le corps avec la meule en rotation ou se placer derrière elle.** Lorsque la meule, au point d'exécution, s'éloigne du corps, tout rebond possible pourrait propulser la meule en rotation et l'outil électrique directement sur l'utilisateur.
- c) **En cas de grippage de meule, ou si une coupe est interrompue pour quelque raison que ce soit, arrêter l'outil électrique et le maintenir immobile jusqu'à arrêt complet de la meule. Ne jamais tenter de retirer une meule à tronçonner de la coupe alors qu'elle est en rotation, pour prévenir tout rebond.** Vérifier la pièce à travailler et prendre les mesures adéquates pour éliminer toute cause de grippage.
- d) **Ne pas reprendre l'opération de coupe dans la pièce. Laisser la meule tourner à plein régime puis ré-entrer dans la coupe prudemment.** La meule pourrait se gripper, sortir de la coupe ou effectuer un rebond si l'outil électrique était remis en marche dans la pièce à travailler.
- e) **Soutenir les panneaux, ou toute pièce surdimensionnée, pour minimiser tout risque de grippage ou rebond de la meule.** Les pièces larges ont tendance à s'affaisser sous leur propre poids. Un support doit être installé sous la pièce à travailler, près de la ligne de coupe, et près des bords, de chaque côté de la meule.
- f) **Prenez des précautions supplémentaires lors de « coupes de poche » dans des murs existants ou dans toute zone à visibilité limitée.** La meule pourrait couper des canalisations de gaz ou d'eau, des fils électriques ou des objets pouvant causer en retour des rebonds.

### Consignes spécifiques de sécurité propres au ponçage

- a) **Ne pas utiliser des disques de papier abrasif de taille excessive. Suivre les recommandations du fabricant lors de la sélection du papier à poncer.** Les feuilles de papier abrasif de grande taille, dépassant du tampon ponçeur, posent des risques de laceration, et peuvent faire que le disque s'accroche ou se déchire, ou causer des rebonds.

### Informations de sécurité supplémentaires

- Le filetage de montage des accessoires doit correspondre à celui du mandrin de la meuleuse. Pour les accessoires montés avec des brides, l'alésage de l'accessoire doit correspondre au diamètre de positionnement de la bride. Les accessoires qui ne correspondent pas au dispositif d'installation de l'outil électrique ne tourneront pas correctement, vibreront de façon excessive et pourront causer la perte de contrôle de l'outil.
- La surface de meulage des meules à moyeu déporté doit être montée au-dessous du plan de la lèvre du carter de protection. Une meule mal montée qui dépasse du plan de la lèvre du carter de protection ne peut pas être correctement protégée.
- Cet outil n'est pas conçu pour l'utilisation avec des brosses métalliques et des brosses boisseau.

### Risques résiduels

En dépit de l'application des normes de sécurité en vigueur et de l'installation de dispositifs de sécurité, certains risques résiduels sont inévitables. Il s'agit de :

- Diminution de l'acuité auditive ;
- Risques de dommages corporels dus à des projections de particules ;
- Risques de brûlures provoquées par des accessoires ayant surchauffé pendant leur fonctionnement ;
- Risques de dommages corporels dus à un usage prolongé ;
- Risques posés par les poussières de substances dangereuses.

## Étiquettes sur l'appareil

On trouve les diagrammes suivants sur l'outil :



Lire la notice d'instructions avant toute utilisation.



Porter un dispositif de protection auditive.



Porter un dispositif de protection oculaire.

### EMPLACEMENT DE LA DATE CODÉE DE FABRICATION (FIG. A)

La date codée de fabrication (16), qui comprend aussi l'année de fabrication, est imprimée sur le boîtier.

Exemple :

2013 XX XX

Année de fabrication

## Contenu de l'emballage

L'emballage contient:

- 1 Meuleuse d'angle
  - 1 Carter de protection
  - 1 Poignée latérale
  - 1 Jeu de flasques
  - 1 Clé à ergots
  - 1 Manuel d'instructions
  - 1 Dessin éclaté
- Vérifier si l'outil, les pièces ou les accessoires ne présentent pas de dommages dus au transport.
  - Prendre le temps de lire et de comprendre à fond le présent manuel avant de mettre votre outil en marche.

## Description (fig. A)



**AVERTISSEMENT** : ne modifiez jamais l'outil électrique ou l'une de ses pièces. Des dégâts matériels ou des blessures corporelles pourraient en résulter.

- 1 Interrupteur MARCHE/ARRET
- 2 Bouton de déblocage
- 3 Poignée latérale
- 4 Carter de protection
- 5 Blocage de l'arbre

## USAGE PRÉVU

Les modèles de meuleuses angulaires robustes DW831/DW840 ont été conçus pour les applications professionnelles de meulage, ponçage et tronçonnage.

**NE PAS** utiliser ces outils en milieu ambiant humide ou en présence de liquides ou de gaz inflammables.

**NE PAS** utiliser des meules autres que des meules renforcées à moyeu déporté ou des disques à lamelles.

Ces meuleuses angulaires industrielles sont des outils de professionnels.

**NE PAS** les laisser à la portée des enfants. Une supervision est nécessaire auprès de tout utilisateur non expérimenté.

- Ce produit n'est pas prévu pour être utilisé par des personnes (y compris les enfants) dont les capacités physiques, sensorielles ou mentales sont réduites ou qui manquent d'expérience ou d'aptitudes, sauf si ces personnes sont surveillées par une autre personne responsable de leur sécurité. Ne jamais laisser les enfants seuls avec ce produit.

## Sécurité électrique

Le moteur électrique a été conçu pour fonctionner sur une tension unique. Vérifier systématiquement que la tension du secteur correspond bien à la tension indiquée sur la plaque signalétique.



Votre outil DEWALT à double isolation est conforme à la norme EN 60745 ; un branchement à la terre n'est donc pas nécessaire.



**AVERTISSEMENT** : les appareils à 120 V doivent être utilisés avec des transformateurs d'isolation à l'épreuve des pannes doté d'un écran de terre entre l'enroulement primaire et secondaire.

Si le cordon fourni est endommagé, le remplacer par un cordon spécialement conçu à cet effet, et disponible auprès du service après-vente DEWALT.



Toujours utiliser la fiche prescrite lors du remplacement du câble d'alimentation.

Type 11 pour la classe II  
(Isolation double) – outils

Type 12 pour la classe I  
(Conducteur de terre) – outils



En cas d'utilisation à l'extérieur, connecter les outils portatifs à un disjoncteur FI.

## Remplacement de la fiche d'alimentation (Moyen-Orient et Afrique)

Si une nouvelle fiche d'alimentation doit être montée :

- Mettre soigneusement au rebut l'ancienne fiche.
- Raccorder le fil marron à la borne de phase dans la fiche.
- Raccorder le fil bleu à la borne de neutre.



**AVERTISSEMENT :** aucun branchement ne doit être fait à la borne de terre.

Suivez les instructions de montage fournies avec des fiches de bonne qualité. Fusible recommandé : 13 A.

## Utilisation d'une rallonge

Si une rallonge s'avère nécessaire, utiliser une rallonge à trois fils homologuée et compatible avec la tension nominale de cet outil (se reporter à la section **Caractéristiques techniques**). La section minimale du conducteur est de 1,5 mm<sup>2</sup> pour une longueur maximale de 30 m.

En cas d'utilisation d'un dévidoir, dérouler systématiquement le câble sur toute sa longueur.

## ASSEMBLAGE ET RÉGLAGE



**AVERTISSEMENT :** pour réduire tout risque de dommages corporels graves, arrêter et débrancher l'outil du secteur avant tout réglage ou avant de retirer ou d'installer toute pièce ou tout accessoire. Avant de rebrancher l'outil, presser puis relâcher la gâchette pour s'assurer que l'outil est bien à l'arrêt. Tout démarrage accidentel pourrait causer des dommages corporels.

## Installation de la poignée latérale (fig. F)



**AVERTISSEMENT :** avant toute utilisation, vérifier que la poignée est solidement arrimée.



**AVERTISSEMENT :** la poignée latérale doit toujours être utilisée pour conserver le contrôle de l'outil en permanence.

Vissez fermement la poignée latérale (3) dans l'un des trous (15) situés de chaque côté du carter d'engrenage.

## Montage et démontage du carter de protection



**AVERTISSEMENT :** un protecteur doit être utilisé avec cette meuleuse.

### DW831 - MONTAGE (FIG. B1 & C1)

- Poser la meuleuse sur le dos, l'arbre dirigé vers vous.
- Aligner l'ergot (6) et la gorge (7) dans la rondelle de support.
- Appuyer sur le carter de protection (8) et tourner dans le sens de la flèche (fig. B1).



**AVERTISSEMENT :** La goupille de blocage (9) maintient le carter de protection en place.

### DW831 - DÉMONTAGE (FIG. B1 & C1)

- Tenir l'outil dans la main.
- Tourner le carter de protection (8) dans le sens de la flèche (fig. C1).
- A l'aide d'un tournevis, pousser la goupille de blocage (9) dans la gorge.
- Relâcher le carter de protection.

### DW840 - MONTAGE (FIG. B2 & C2)

- Poser la meuleuse sur le dos, l'arbre dirigé vers vous.
- Aligner les ergots (6) et les gorges (7) dans la rondelle de support.
- Appuyer sur le carter de protection (8) et tourner dans le sens de la flèche (fig. B2).
- Serrer les vis (10).

### DW840 - DÉMONTAGE

- Pour enlever le carter de protection, procéder dans l'ordre inverse.

## Montage et démontage d'une meule (fig. D, E)

- Poser la meuleuse sur le dos, l'arbre dirigé vers vous.
- Installez correctement la bride de soutien (11) sur la broche (12).
- Placez le disque de meulage sur la bride de support.
- Visser l'écrou (14) sur l'arbre (12).
- Appuyez sur le bouton de blocage de l'arbre (5) puis faites pivoter la meule jusqu'à ce qu'elle se verrouille en place.
- Sans lâcher le bouton de blocage, serrer l'écrou avec la clé à ergots (13) fournie en standard.



- Relâcher le bouton de blocage de l'arbre.
- Pour démonter la meule, desserrez l'écrou à l'aide de la clé à ergots tout en maintenant l'arbre de blocage en position engagée.

### Montage et démontage du tampon support/papier abrasif (fig. D, E)

- Disposez l'outil sur une table, avec le carter sur le dessus.
- Retirez la bride de support (11).
- Placez le tampon support en caoutchouc correctement sur la broche (12).
- Placez le papier abrasif sur le tampon support en caoutchouc.
- Vissez l'écrou de blocage fileté (14) sur la broche. L'anneau sur l'écrou de blocage fileté (14) doit être tourné vers le tampon support.
- Appuyez sur le bouton de blocage de l'arbre (5) puis faites pivoter la broche (12) jusqu'à ce qu'elle se verrouille en place.
- Resserrez l'écrou de blocage fileté (14) à l'aide de la clé de serrage à deux broches.
- Libérez le verrouillage de l'arbre.
- Pour retirer le tampon support en caoutchouc, desserrez l'écrou de blocage fileté (14) à l'aide de la clé de serrage à deux broches.

### Avant la mise en marche

- *Monter le carter de protection et la meule ou le disque de tronçonnage adaptés. Ne pas utiliser de meules ou de disques trop usés.*
- *Ne pas utiliser d'accessoires endommagés. Avant toute utilisation, vérifier tous les accessoires, par exemple que les meules abrasives ne sont ni ébréchées ni fendues, les tampons de soutien ne sont ni fendus ni usés excessivement, les brosses métalliques ne comportent aucun élément brisé ou lâche. En cas de chute, vérifier que l'outil n'a pas été endommagé et remplacer tout accessoire abîmé. Après avoir inspecté et installé un accessoire, se situer, soi-même et tout individu présent, hors du plan de rotation de l'accessoire et laisser tourner l'outil une minute à sa vitesse à vide maximale. En général, tout accessoire endommagé se brisera lors du temps d'essai.*
- *Assurez-vous que les brides, externe et interne, sont correctement installées. Suivez les instructions fournies dans le **Tableau des accessoires de meulage et découpe.***

- *Vérifier si la meule ou le disque tourne dans le sens des flèches sur l'accessoire et l'outil.*
- *Ne pas utiliser de meules à tronçonner pour faire du meulage latéral.*
- *S'assurer que les étincelles provenant de l'utilisation ne causeront aucun danger, comme brûler des individus ou embraser des substances inflammables.*

## FONCTIONNEMENT

### Consignes d'utilisation



**AVERTISSEMENT :** respecter systématiquement les consignes de sécurité et les normes en vigueur.



**AVERTISSEMENT :** pour réduire tout risque de dommages corporels graves, arrêter et débrancher l'outil du secteur avant tout réglage ou avant de retirer ou d'installer toute pièce ou tout accessoire. Avant de rebrancher l'outil, presser puis relâcher la gâchette pour s'assurer que l'outil est bien à l'arrêt.



**AVERTISSEMENT :**

- *S'assurer que le matériau à meuler est fermement arrimé.*
- *Utilisez les pinces ou un étau pour fixer et soutenir l'ouvrage sur une plateforme stable. Il est important pour serrer et soutenir l'ouvrage de manière sûre afin d'éviter le mouvement de l'ouvrage et la perte de contrôle. Le mouvement de l'ouvrage ou la perte de contrôle peuvent représenter un risque et causer des blessures personnelles.*
- *Fixez la pièce. Une pièce fixée avec des dispositifs de serrage ou un étau est maintenue bien mieux qu'avec les mains.*
- *Soutenir les panneaux, ou toute pièce surdimensionnée, pour minimiser tout risque de grippage ou rebond de la meule. Les pièces larges ont tendance à s'affaisser sous leur propre poids. Un support doit être installé sous la pièce à travailler, près de la ligne de coupe, et près des bords, de chaque côté de la meule.*
- *Portez toujours des gants de travail appropriés lors de l'utilisation de cet outil.*

- Le boîtier d'engrenage devient très chaud pendant l'utilisation.
- Appliquer seulement une pression légère sur l'outil. Ne pas exercer de pression latérale sur le disque.
- Éviter toute surcharge. Si l'outil venait à surchauffer, le laisser fonctionner à vide quelques minutes pour refroidir l'accessoire. Ne pas toucher les accessoires avant qu'ils soient refroidis. Les disques deviennent très chaud pendant l'utilisation.
- Ne jamais utiliser de bagues de réduction, ou autres adaptateurs, pour ajuster un large trou de meule abrasive.
- Ne jamais utiliser l'outil sans son dispositif de protection.
- L'outil n'est pas conçu pour être utilisé avec une meule boisseau.
- Ne pas utiliser l'outil électrique avec un support de découpe.
- Ne jamais utiliser de tampon avec des produits abrasifs liés.
- Soyez prudent, la meule continue de tourner une fois que l'outil est arrêté.

### Position correcte des mains (fig. A, H)



**AVERTISSEMENT** : pour réduire tout risque de dommages corporels graves, adopter **SYSTÉMATIQUEMENT** la position des mains illustrée.



**AVERTISSEMENT** : pour réduire tout risque de dommages corporels graves, maintenir fermement et **SYSTÉMATIQUEMENT** l'outil pour anticiper toute réaction soudaine de sa part.

La position correcte des mains requiert une main sur la poignée latérale (3), et l'autre sur le boîtier de l'outil, comme illustré en figure H.

### Mise en marche et arrêt (fig. G)



**AVERTISSEMENT** : respecter systématiquement les consignes de sécurité et les normes en vigueur.



**ATTENTION** : tenez fermement la poignée latérale et le corps de l'outil pour garder la maîtrise de l'outil au démarrage, pendant l'utilisation et jusqu'à l'arrêt de la meule ou de l'accessoire en rotation. Vérifiez que la meule est complètement arrêtée avant de poser l'outil.

- Appuyez sur le bouton de déblocage (2) et sur l'interrupteur marche/arrêt (1) pour mettre l'outil en marche.
- Pour arrêter l'outil, relâcher l'interrupteur Marche/arrêt.



**AVERTISSEMENT** : ne pas actionner l'interrupteur MARCHE/ARRÊT tant que l'outil est en charge.

### Bouton de blocage de l'arbre (fig. A)

Le bouton de blocage de l'arbre (5) est destiné à empêcher la broche de tourner lors de l'installation ou du retrait de la meule. N'utilisez le bouton de blocage de l'arbre que lorsque l'outil est à l'arrêt, débranché du secteur, et après arrêt complet du moteur.

**AVIS** : pour réduire tout risque de dommages matériels, ne pas actionner le bouton de blocage de l'arbre alors que l'outil est en marche. L'outil pourrait non seulement être endommagé mais tout accessoire installé pourrait se détacher et poser des risques de dommages corporels.

Pour actionner le verrouillage, appuyez sur le bouton de blocage de l'arbre puis faites tourner la broche jusqu'à la bloquer complètement.

### Applications métal

Avant d'utiliser l'outil pour des applications métal, assurez-vous que le dispositif à courant résiduel (DCR) a été inséré pour prévenir tout risque résiduel inhérent aux limailles.

Si le courant venait à être coupé par le DCR, rappelez l'outil chez un réparateur agréé DEWALT.



**AVERTISSEMENT** : dans des conditions de travail extrêmes, des poussières conductrices peuvent s'accumuler à l'intérieur du boîtier de l'appareil lors du travail du métal. Cela pourra provoquer la dégradation de l'isolation protectrice de l'appareil et poser des risques de décharges électriques.

Pour éviter toute accumulation de limailles à l'intérieur de l'appareil, il est recommandé de nettoyer quotidiennement les fentes d'aération. Se reporter à la section **Maintenance**.

### Utilisation de disques à lamelles



**AVERTISSEMENT : accumulation de poussières métalliques.** L'utilisation intensive de disques à lamelles pour des applications métal pose des risques accrus de décharges électriques. Pour réduire ces risques, insérer un DCR avant utilisation et nettoyer les fentes d'aération quotidiennement en y soufflant de l'air comprimé conformément aux instructions de maintenance ci-dessous.

### Meulage grossier

**Ne jamais utiliser de disque de tronçonnage pour le dégrossissage.**

Les meilleurs résultats de dégrossissage sont obtenus en orientant la machine selon un angle de 30° à 40°. Déplacez la machine d'avant en arrière avec une pression modérée. De cette manière, la pièce ne deviendra pas trop chaude, ne se décolore pas et aucune rainure ne sera formée.

### Découpe de la pierre

**La machine doit être utilisée uniquement pour la découpe à sec.**

Pour la découpe de la pierre, il convient d'utiliser un disque de tronçonnage au diamant.

Utiliser la machine uniquement avec le masque supplémentaire de protection contre la poussière.

### Conseil de travail

**Prenez soin lors de la découpe d'encoches dans les parois structurelles.**

Les encoches dans les parois structurelles sont sujettes à des réglementations qui varient selon le pays. Ces réglementations doivent être respectées dans tous les cas.

Avant de commencer le travail, consultez l'ingénieur structurel responsable, l'architecte ou le superviseur de construction.

### MAINTENANCE

Cet outil DEWALT a été conçu pour fonctionner longtemps avec un minimum de maintenance. Le fonctionnement continu et satisfaisant de l'outil dépend d'un entretien adéquat et d'un nettoyage régulier.



**AVERTISSEMENT : pour réduire tout risque de dommages corporels graves, arrêter et débrancher l'outil du secteur avant tout réglage ou avant de retirer ou d'installer toute pièce ou tout accessoire.** Avant de rebrancher l'outil, presser puis relâcher la gâchette pour s'assurer que l'outil est bien à l'arrêt. Tout démarrage accidentel pourrait causer des dommages corporels.

### Balais autorupteurs

Le moteur sera coupé automatiquement pour indiquer que les balais de charbon sont presque usés et qu'il faut effectuer la maintenance de l'outil. Les balais de charbon ne peuvent être remplacés par l'utilisateur. Rappelez l'outil chez un réparateur agréé DEWALT.



### Graissage

Votre outil électrique ne nécessite pas de graissage supplémentaire.



### Entretien



**AVERTISSEMENT : éliminer poussière et saleté du boîtier principal à l'aide d'air comprimé chaque fois que les orifices d'aération semblent s'encrasser.** Porter systématiquement des lunettes de protection et un masque anti-poussières homologués au cours de cette procédure.



**AVERTISSEMENT : ne jamais utiliser de solvants ou tout autre produit chimique décapant pour nettoyer les parties non métalliques de l'outil.** Ces produits chimiques pourraient en attaquer les matériaux utilisés. Utiliser un chiffon humidifié avec de l'eau et un savon doux. Protéger l'outil de tout liquide et n'immerger aucune de ses pièces dans aucun liquide.

## Accessoires en option



**AVERTISSEMENT** : comme les accessoires autres que ceux offerts par DEWALT n'ont pas été testés avec ce produit, leur utilisation avec cet appareil pourrait être dangereuse. Pour réduire tout risque de dommages corporels, seuls des accessoires DEWALT recommandés doivent être utilisés avec cet appareil.

Veillez consulter votre revendeur pour plus d'informations sur les accessoires appropriés.

DEWALT dispose d'installations pour la collecte et le recyclage des produits DEWALT en fin de vie. Pour profiter de ce service, veuillez rapporter votre produit auprès d'un centre de réparation agréé qui le recyclera en notre nom.

Pour connaître l'adresse d'un centre de réparation agréé près de chez vous, veuillez contacter votre distributeur DEWALT local à l'adresse indiquée dans cette notice d'instructions, ou consulter la liste des centres de réparation agréés DEWALT, l'éventail de notre SAV et tout renseignement complémentaire sur Internet à l'adresse : [www.2helpU.com](http://www.2helpU.com).

### TABLEAU DES ACCESSOIRES

	Max. [mm]		[mm]	Rotation min. [min. <sup>-1</sup> ]	Vitesse périphérique [m/s]	Longueur de trou fileté [mm]
	D	b	d			
	DW831 125	8	22,23	DW831 10000	80	-
	DW840 180			DW840 8000		
	DW831 125	-	-	DW831 10000	80	-
	DW840 180	-	-	DW840 8000		

## Protection de l'environnement



Collecte sélective. Ne pas jeter ce produit avec les ordures ménagères.



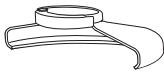



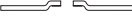

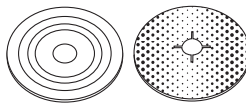
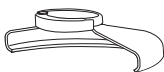



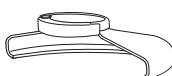
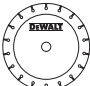
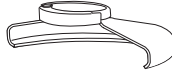



En fin de durée de vie ou d'utilité de votre produit DEWALT, ne pas le jeter avec les ordures ménagères, mais dans les conteneurs de collecte sélective.



La collecte sélective des produits et emballages usagés permet de recycler et réutiliser leurs matériaux. La réutilisation de matériaux recyclés aide à protéger l'environnement contre la pollution et à réduire la demande en matière première.

Selon les réglementations locales, il peut être offert : service de collecte sélective individuel des produits électriques, ou déchetterie municipale ou collecte sur les lieux d'achat des produits neufs.

## TABLEAU D'ACCESSOIRES DE MEULAGE

Type de carter	Accessoire	Description	Installation de la meule
 <b>CARTER DE TYPE 27</b>		Meule à moyeu déporté	 Carter de type 27
		Disque à lamelles	 Bride de soutien    Meule de type 27 à moyeu déporté   Écrou de blocage fileté
		Tampon de soutien/disque abrasif	 Carter de type 27   Tampon de soutien en caoutchouc   Disque abrasif   Écrou de blocage fileté
 <b>CARTER DE TYPE 27</b>		Meule à tronçonner diamantée	 Carter de type 27   Bride de soutien   Meule à tronçonner   Écrou de blocage fileté



<b>Afghanistan</b>	Ariana Hafiz Zabi Co. Ltd. Dahan Bagh Squire Karte Ariana, Kabul, Afghanistan	info@arianahafiz.com	Tel: 93-0-799331079 Fax: 93-0-700007576 / 93-0-799331079
<b>Algeria</b>	Sarl Outillage Corporation 08, Rue Med Boudiaf (ex TELLA Achen) Cheraga, Alger	hakim.merdjadi@outillage-dz.com lyes@outillage-dz.com Mali.faiza@outillage-dz.com; sidahmed@outillage-dz.com	Tel: 213-0-21375130 213-0-21375131 Fax: 213-0-21369667
<b>Angola</b>	Angoferraria, Lda. Rua Robert Shields, nº 61, Luanda, Angola	angoferraria@gmail.com sequeira.angoferraria@gmail.com	Tel: 244-222-395837 / 244-222-395034 Fax: 244-222-394790
<b>Azerbaijan</b>	Royalton Holdings Ltd. 41 Khagani St. Apt. 47 AZ1001 Baku- Azerbaijan	jai@royaltonholdings.com office@royaltonholdings.com	Tel: 994-12-4935544 Fax: 994-12-5980378
<b>Egypt</b>	ElFarab S.A.E. 15-Nabil El Wakkad Street, Dokki, Giza, Egypt	elfarab@elfarab.com adel.ezzat@elfarab.com mahmoud.elhosseiny@elfarab.com	Tel: 202-37603946 Fax: 202-33352796
<b>Ethiopia</b>	Seif Tewfik Sherif Arada Sub City, Kebele 01/02, Global Insurance Bldg., 2nd Flr., Room 43, P.O. Box 2525, Addis Ababa	seif@ethionet.et nawanag@ethionet.et	Tel: 251-11-1563968 251-11-1563969 Fax: 251-11-1558009
<b>Iraq</b>	Al-Sard Co. for General Trading Ltd Jbara Bldg. 3Flr. Al Rasheed St., Baghdad, Iraq	dewalt.service@yahoo.com	Tel: 964-18184102
<b>Jordan</b>	Amman West Stores-Bashiti 210 Garden St. Tla'a Ali, P.O. Box 1564 Tla Ali Amman 11953, Jordan	ali@bashitstores.com yousef@bashitstores.com	Tel: 962-6-5350009 Fax: 962-6-5350012
<b>Kenya</b>	Dextron Tools Ltd. P.O. Box 20121-00200, Shariff House, Kimathi Street, Nairobi	info@alibhaishariff.co.ke dextron@alibhaishariff.co.ke	Tel: 254-20-6905000 254-20-2358021 Fax: 254-20-6905111 / 254-20-6905112
<b>Lebanon</b>	Est. Shaya & Azar S.A.R.L. Boulevard Jdeideh - Mar Takla - Bouchrieh . P.O. Box 90545, Jdeideh. Beirut - Lebanon	shayazar@dm.net.lb	Tel: 961 1 872305 961 1 872306 Fax: 961 1 872303
<b>Libya</b>	North Africa Trading ( El Ghoul Brothers) P.O. Box 348, 7 October Street 11 Benghazi	maryam_farooq2003@yahoo.com nagte@eim.ae dewalt_libya@yahoo.com	Tel: 218-061-3383994 Fax: 218-092-7640688
	North Africa Trading ( El Ghoul Brothers) AlBarniq DeWALT Center, Mokhazin-elsukar St. ElFallah, Tripoli	dewalt_libya@yahoo.com	Tel: 218-021-3606430 Fax: 218-092-6514813
	North Africa Trading ( El Ghoul Brothers) AlHilal Service Center Tawergha St., Misurata		Tel: 218-091-3221408
<b>Mauritius</b>	Robert Le Marie Limited Old Moka Road, Bell Village, P.O. Box 161, Port Louis	a.blackburn.rm@rmgroup.mu jm.pierrelouis.rm@rmgroup.mu	Tel: 230-212 1865 230-212 2847 Fax: 230-2080843
<b>Morocco</b>	Ets Louis Guillaud & Cie 31, Rue Pierre Parent, Casablanca - 21000	boumadiane.azedine@elg.ma doukkail.marouane@elg.ma	Tel: 522-301446 / 305971 / 317815 / 315576 Fax: 522-444518 / 317888
<b>Nigeria</b>	Meridian Power Tools Ltd. Gr. Floor, #1 Alhaji Masha Rd, Next to Teslim Balogun Stadium, Near National Stadium Surulere, Lagos, Nigeria	braj@meridian-nigeria.com	Tel: 234-1-7740431 234-1-7740410 Fax: 234-1-7913798
<b>Pakistan</b>	Northern Toolings (Pvt) Ltd.-Lahore 86- Railway Road, Lahore - 7 Pakistan	zhayee@northern.pk import@northern.pk sales@northern.pk	Tel: 92-423-7651220 92-423-7641675 Fax: 92-423-7641674
	Northern Toolings (Pvt) Ltd.-Karachi 224-231 Industrial Town Plaza, Shahrah-e-Liaqat, Karachi, Pakistan	karachibr@northern.pk	Tel: 92-213-2465305 92-213-2465307 Fax: 92-213-2465301
	Northern Toolings (Pvt) Ltd.-Taxila Al-Rehman Plaza, Opposite Tehsil Court, Faisal Shaheed Road, Taxila	taxilabr@northern.pk	Tel: 92-51-4545811 Fax: 92-51-4544194
<b>South Africa</b>	Benray Tool Wholesalers C.C. 91 Turfontein Road, Stafford, Johannesburg, 2001 P.O. Box 260037 EXCOM 2023, South Africa	dewaltservice@benray.co.za zain@benray.co.za shafiq@benray.co.za	Tel: 27-11-6838350 Fax: 27-11-6837456
<b>Tanzania</b>	General Motors Investment Ltd. 14 Vingunguti-Nyerere Road, P.O.Box 16541, Dar es Salaam, Tanzania	ezra@gmi-tz.com info@gmi-tz.com chiwelesa@yahoo.com	Tel: 255-22-2865022 / 2862661 / 2862671 / 2862659 Fax: 255-22-2862667
<b>Tunisia</b>	Ets. Mohamed Ghorbel 03 Rue 8603 Chargaia I Tunis. Postal Code 2035	slim.ghorbel@gnet.tn moh.ghorbel@gnet.tn mourad.ghorbel@gnet.tn	Tel: 216-71794248 216-71793848 Fax: 216-71770759
<b>Uganda</b>	The Building Center (u) Ltd. 52 Station Road, Kitgum House, P.O. Box 7436 Kampala, Uganda	tbc@africaonline.co.ug chris@tbcu.co.ug	Tel: 256-041-4234567 256-041-4259754 Fax: 256-041-4236413
<b>Yemen</b>	Middle East Trading Co. (METCO) 5th Flr.Hayel Saeed Anam Bldg. Al-Mugamma St. Taiz, Yemen	tamer.metco@gmail.com tamer@metcotrading.com metco@metcotrading.com sami@metcotrading.com	Tel: 967-4-213455 Fax: 967-4-219869
	Middle East Trading Co. (METCO) Mualla Dakka, Aden	tamer.metco@gmail.com tamer@metcotrading.com metco@metcotrading.com	Tel: 967-2-222670 Fax: 967-2-222670
	Middle East Trading Co. (METCO) Hayel st., Sana'a, Yemen	tamer.metco@gmail.com tamer@metcotrading.com metco@metcotrading.com	Tel: 967-1-204201 Fax: 967-1-204204

<b>UAE</b>	Black & Decker (Overseas) GmbH P.O. Box 5420, Dubai	service.me@blackdecker.com	Tel: 971-4 8127400 / 8127406 Fax: 971-4 2822765	
	Ideal Star Workshop Eqpt. Trading LLC P.O. Box 37116, Al Quoz, Dubai	idealeq@emirates.net.ae	Tel: 971-4 3474160 Fax: 971-4 3474157	
	Alebrah Engineering Service P.O. Box 78954, Al Qusais, Dubai	alebrah@eim.ae	Tel: 971-4 2850044 Fax: 971-4 2844802	
	Burj Al Madeena Industrial Area No. 1, opp. Pakistani Masjid P.O. Box 37635, Sharjah	dewaltuae@hotmail.com	Tel: 971-6 5337747 Fax: 971-6 5337719	
	McCoy Middle East LLC P.O. Box 25793, Sharjah	mccoy@emirates.net.ae	Tel: 971-6 5395931 Fax: 971-6 5395932	
	McCoy Middle East LLC P.O. Box 10584, Ras Al Khaimah	mccoynak@gmail.com	Tel: 971-7 2277095 Fax: 971-7 2277096	
	Al Sukoon Gen. Trdg. Co. LLC P.O. Box 2975, Ajman	sukoon@eim.ae	Tel: 971-6 7435725 / 7438317 Fax: 971-6 7437350	
	Zillion Equipment and Spare Parts Trading LLC P.O. Box 19740, opp. Bin Sadal / Trimix Redymix Sanaiya, Al Ain	zilliontrdg@gmail.com	Tel: 971-3 7216690 Fax: 971-3 7216103	
	Light House Electrical, Abu Dhabi Branch P.O. Box 120, Abu Dhabi	dewalt_lhe@hotmail.com	Tel: 971-2 6726131 Fax: 971-2 6720667	
	Light House Electrical, Musaffah Branch P.O. Box 120, Abu Dhabi	dewalt_lhe@hotmail.com	Tel: 971-2 5548315 Fax: 971-2 5540461	
	<b>Bahrain</b>	Alfouz Services Co. WLL P.O. Box 26562, Tubli, Manama	alfouz@batelco.com.bh	Tel: 973 17783562 / 17879987 Fax: 973 17783479
		Kavalani & Sons W.L.L. P.O. Box 71, Sitra, Manama	info@kavalani.com pradeep@kavalani.com	Tel: 973 17732888 Fax: 973 17737379
		<b>Kuwait</b>	Al Omar Technical Co. P.O. Box 4062, Safat 13041, Kuwait	alexotc@usa.net
	Fawaz Al Zayani Establishment P.O. Box 42426, Shop No.18, Al Hurnaizi Commercial Complex, Khalifa Al Jassim, Shuwaikh		dewaltkuwait@hotmail.com	Tel: 965 24828710 Fax: 965 24828716
Fawaz Al Zayani Establishment Fahaheel Industrial Area, Main St., Sanaya	dewaltkuwait@hotmail.com		Tel: 965 23925830 Fax: 965 24828716	
<b>Oman</b>	Al Jizzi Company LLC P.O. Box 1704, P.C. 112, Ruwi	aljizied@omantel.net.om jizzi10@omantel.net.om	Tel: 968 24832618 / 24835153 Fax: 968 24831334 / 24836460	
	Al Hassan Technical & Construction Supplies Co. LLC P.O. Box 1948, P.C. 112, Ruwi	hamriya.sr@al-hassan.com abrar.h@al-hassan.com	Tel: 968 24810575 / 24837054 Fax: 968 24810287 / 24833080	
	Oman Hardware Co. LLC P.O. Box 635, Ruwi Postal Code 112	omanhard@omantel.net.om	Tel: 968 24815131 Fax: 968 24816491	
	Khimji Ramdas P.O. Box 19, Post Code 100, Ghala, Muscat	bilal.m@khimjiramdas.com	Tel: 968 24595906/ 907 Fax: 968 24852752	
	<b>Qatar</b>	Teyseer Industrial Supplies & Services Co. WLL 55, Al Wakalat St. (Between St. 18 & 19) Salwa Industrial Area, P.O. Box 40523 Doha	manish@tissco-qatar.com tool.service@tissco-qatar.com	Tel: 974 4581536 Fax: 974 4682024
Shaheen Electrical Works & Trading Co. WLL Gate 34, St. 44 Industrial Area P.O. Box 9756, Doha		shaheenelc@gmail.com	Tel: 974 460 02 30 / 460 05 25 Fax: 974 460 13 38	
<b>KSA</b>		Industrial Material Organization (IMO) P.O. Box 623, Rail Street, Riyadh	service@imo.com.sa	Tel: 966-1 4028010 Ext. 26 Tel: 966-1 8001245757 Fax: 966-1 4037970
	Fawaz Ebrahim Al Zayani Trading Est. P.O. Box 76026, Al Raka : 31952	dewaltdammam@hotmail.com	Tel: 966-3 8140914 Fax: 966-3 8140824	
	MSS (Al-Mojil Supply & Services) P.O. Box 450, Jubail 31951	mssjubail@almojilservices.com alex.chang@almojilservices.com	Tel: 966-3 3612850 / 3624487 Tel: 966-3 3621729 Fax: 966-3 3623589 / 3620783	
	Opp-Gulf Bridge Library & Riyadh House			
	EAC (Al Yousef Contg. & Trdg. Est.) P.O. Box 30377, Jeddah -21477	golamkibria77@yahoo.com	Tel: 966-2 6519912 Fax: 966-2 6511153	
	Mohamed Ahmed Bin Aff Est. P.O. Box 530, Yanbu, Al Bahr	binaffyanbu@hotmail.com	Tel: 966-4 3222626 / 3228867 Fax: 966-4 3222210	
	Garziz Trading for Bldg Mat & Decoration P.O. Box 3364, Madina	agarziz@yahoo.com	Tel: 966-4 826 14 90 / 822 76 36 Fax: 966-4 826 57 41	
	Sultan Garment Factory (RSC) P.O. Box 29912, Riyadh 11467	rscservice@digl.net.sa	Tel: 966-1 4055148 / 4042889 Fax: 966-1 4055148	
	Al Bawardi Tools & Hardware P.O. Box 112, Dammam 31411	asattar@albawardi.com nibanez@albawardi.com	Tel: 966-3 8330780 Ext. 24 Tel: 966-3 8348585 Ext. 24 Fax: 966-3 8336303	
	Al Bawardi Tools & Hardware P.O. Box 68, Riyadh 11411	rbaltao@albawardi.com asamad@albawardi.com	Tel: 966-1 4484999 Fax: 966-3 4487877	
	Al Bawardi Tools & Hardware P.O. Box 16905, Jeddah 21474	sharadj@albawardi.com fgaber@albawardi.com	Tel: 966-2 6444547 / 6439035 Tel: 966-2 6456095 Fax: 966-2 6439024	