

**DEWALT®**

**[www.DEWALT.com](http://www.DEWALT.com)**

**D25123**  
**D25124**

---

**English** (*original instructions*)

**4**

---

**Français** (*traduction de la notice d'instructions originale*)

**12**



Figure 3

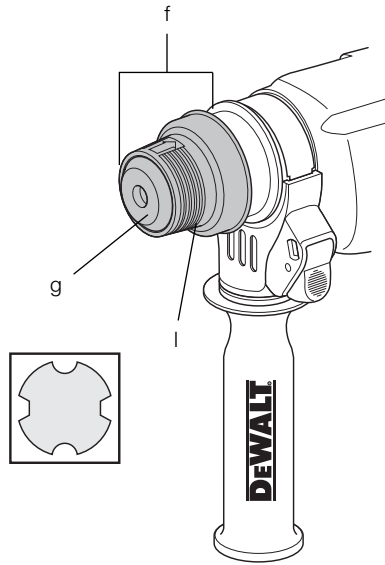


Figure 4

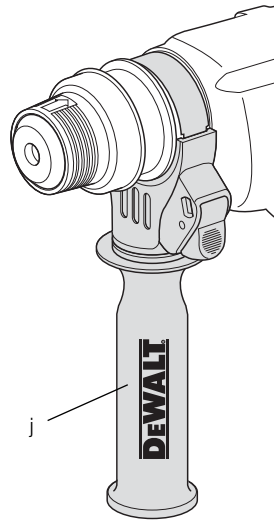


Figure 5

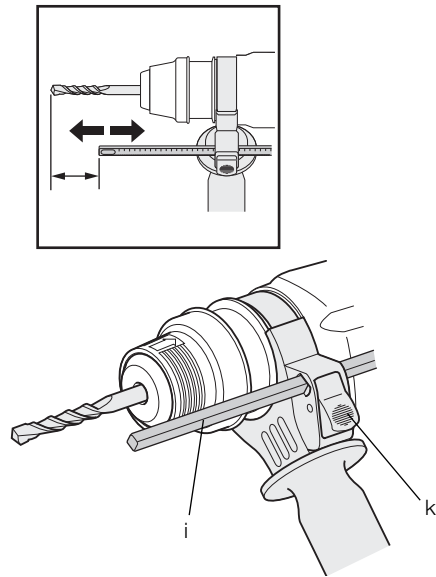


Figure 6

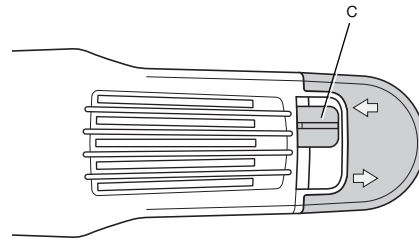


Figure 7

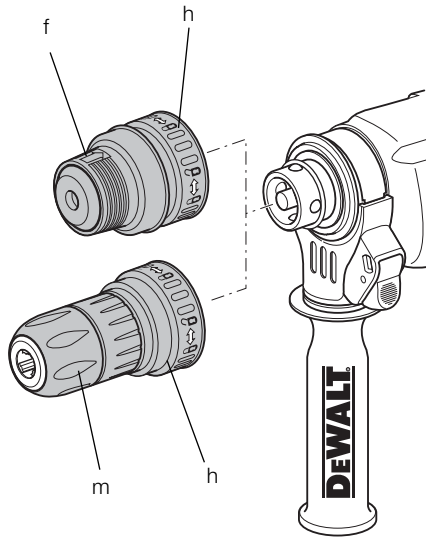
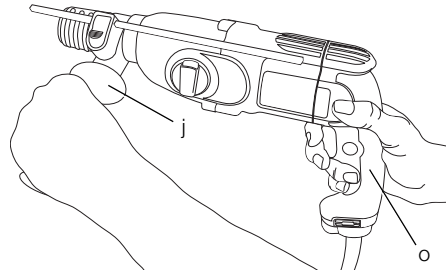


Figure 8



# HEAVY-DUTY ROTARY HAMMERDRILL

## D25123, D25124

### Congratulations!

You have chosen a DEWALT tool. Years of experience, thorough product development and innovation make DEWALT one of the most reliable partners for professional power tool users.

### Technical Data

		D25123	D25124
Voltage	V <sub>AC</sub>	220/240 120	220/240 120
Type		1	1
Power input	W	800	800
No-load speed	min <sup>-1</sup>	0–1,150	0–1,150
Load speed	min <sup>-1</sup>	0–830	0–830
Impact energy			
Hammerdrilling	J	3.1	3.1
Chiselling	J	3.4	3.4
Maximum drilling range in steel/wood/concrete	mm	13/30/26	13/30/26
Chisel positions		52	52
Core drilling capacity in soft brick	mm	65	65
Tool holder		SDS Plus®	SDS Plus®
Collar diameter	mm	54	54
Weight	kg	2.9	2.9

### Definitions: Safety Guidelines

The definitions below describe the level of severity for each signal word. Please read the manual and pay attention to these symbols.



**DANGER:** Indicates an imminently hazardous situation which, if not avoided, **will** result in **death or serious injury**.



**WARNING:** Indicates a potentially hazardous situation which, if not avoided, **could** result in **death or serious injury**.



**CAUTION:** Indicates a potentially hazardous situation which, if not avoided, **may** result in **minor or moderate injury**.

**NOTICE:** Indicates a practice **not related to personal injury** which, if not avoided, **may** result in **property damage**.



Denotes risk of electric shock.



Denotes risk of fire.



**WARNING:** To reduce the risk of injury, read the instruction manual.

### General Power Tool Safety Warnings



**WARNING! Read all safety warnings and all instructions.** Failure to follow the warnings and instructions may result in electric shock, fire and/or serious injury.

#### SAVE ALL WARNINGS AND INSTRUCTIONS FOR FUTURE REFERENCE

The term “power tool” in the warnings refers to your mains-operated (corded) power tool or battery-operated (cordless) power tool.

#### 1) WORK AREA SAFETY

- Keep work area clean and well lit.** Cluttered or dark areas invite accidents.
- Do not operate power tools in explosive atmospheres, such as in the presence of flammable liquids, gases or dust.** Power tools create sparks which may ignite the dust or fumes.
- Keep children and bystanders away while operating a power tool.** Distractions can cause you to lose control.

#### 2) ELECTRICAL SAFETY

- Power tool plugs must match the outlet. Never modify the plug in any way. Do not use any adapter plugs with earthed (grounded) power tools.** Unmodified plugs and matching outlets will reduce risk of electric shock.
- Avoid body contact with earthed or grounded surfaces such as pipes, radiators, ranges and refrigerators.** There is an increased risk of electric shock if your body is earthed or grounded.
- Do not expose power tools to rain or wet conditions.** Water entering a power tool will increase the risk of electric shock.
- Do not abuse the cord. Never use the cord for carrying, pulling or unplugging the power tool. Keep cord away from heat, oil, sharp edges or moving parts.**

Damaged or entangled cords increase the risk of electric shock.

- e) **When operating a power tool outdoors, use an extension cord suitable for outdoor use.** Use of a cord suitable for outdoor use reduces the risk of electric shock.
- f) **If operating a power tool in a damp location is unavoidable, use a residual current device (RCD) protected supply.** Use of an RCD reduces the risk of electric shock.

### 3) PERSONAL SAFETY

- a) **Stay alert, watch what you are doing and use common sense when operating a power tool. Do not use a power tool while you are tired or under the influence of drugs, alcohol or medication.** A moment of inattention while operating power tools may result in serious personal injury.
- b) **Use personal protective equipment. Always wear eye protection.** Protective equipment such as dust mask, non-skid safety shoes, hard hat, or hearing protection used for appropriate conditions will reduce personal injuries.
- c) **Prevent unintentional starting. Ensure the switch is in the off position before connecting to power source and/or battery pack, picking up or carrying the tool.** Carrying power tools with your finger on the switch or energising power tools that have the switch on invites accidents.
- d) **Remove any adjusting key or wrench before turning the power tool on.** A wrench or a key left attached to a rotating part of the power tool may result in personal injury.
- e) **Do not overreach. Keep proper footing and balance at all times.** This enables better control of the power tool in unexpected situations.
- f) **Dress properly. Do not wear loose clothing or jewellery. Keep your hair, clothing and gloves away from moving parts.** Loose clothes, jewellery or long hair can be caught in moving parts.
- g) **If devices are provided for the connection of dust extraction and collection facilities, ensure these are connected and properly used.** Use of dust collection can reduce dust-related hazards.

### 4) POWER TOOL USE AND CARE

- a) **Do not force the power tool. Use the correct power tool for your application.** The correct power tool will do the job better and safer at the rate for which it was designed.

- b) **Do not use the power tool if the switch does not turn it on and off.** Any power tool that cannot be controlled with the switch is dangerous and must be repaired.
- c) **Disconnect the plug from the power source and/or the battery pack from the power tool before making any adjustments, changing accessories, or storing power tools.** Such preventive safety measures reduce the risk of starting the power tool accidentally.
- d) **Store idle power tools out of the reach of children and do not allow persons unfamiliar with the power tool or these instructions to operate the power tool.** Power tools are dangerous in the hands of untrained users.
- e) **Maintain power tools. Check for misalignment or binding of moving parts, breakage of parts and any other condition that may affect the power tool's operation. If damaged, have the power tool repaired before use.** Many accidents are caused by poorly maintained power tools.
- f) **Keep cutting tools sharp and clean.** Properly maintained cutting tools with sharp cutting edges are less likely to bind and are easier to control.
- g) **Use the power tool, accessories and tool bits etc., in accordance with these instructions taking into account the working conditions and the work to be performed.** Use of the power tool for operations different from those intended could result in a hazardous situation.

### 5) SERVICE

- a) **Have your power tool serviced by a qualified repair person using only identical replacement parts.** This will ensure that the safety of the power tool is maintained.

## Additional Specific Safety Rules for Rotary Hammers

- **Wear ear protectors when impact drilling.** Exposure to noise can cause hearing loss.
- **Use auxiliary handles supplied with the tool.** Loss of control can cause personal injury.
- **Hold power tool by insulated gripping surfaces, when performing an operation where the cutting accessory may contact hidden wiring or its own cord.** Cutting accessory contacting a "live" wire will make exposed metal parts of the power tool "live" and could give the operator an electric shock.

## ENGLISH

- **Use clamps or other practical way to secure and support the workpiece to a stable platform.** Holding the work by hand or against your body is unstable and may lead to loss of control.
- **Wear safety goggles or other eye protection.** Hammering operations cause chips to fly. Flying particles can cause permanent eye damage. Wear a dust mask or respirator for applications that generate dust. Ear protection may be required for most applications.
- **Keep a firm grip on the tool at all times. Do not attempt to operate this tool without holding it with both hands.** It is recommended that the side handle be used at all times. Operating this tool with one hand will result in loss of control. Breaking through or encountering hard materials such as re-bar may be hazardous as well. Tighten the side handle securely before use.
- **Do not operate this tool for long periods of time.** Vibration caused by hammer action may be harmful to your hands and arms. Use gloves to provide extra cushion and limit exposure by taking frequent rest periods.
- **Do not recondition bits yourself.** Chisel reconditioning should be done by an authorized specialist. Improperly reconditioned chisels could cause injury.
- **Wear gloves when operating tool or changing bits.** Accessible metal parts on the tool and bits may get extremely hot during operation. Small bits of broken material may damage bare hands.
- **Never lay the tool down until the bit has come to a complete stop.** Moving bits could cause injury.
- **Do not strike jammed bits with a hammer to dislodge them.** Fragments of metal or material chips could dislodge and cause injury.
- **Slightly worn chisels can be resharpened by grinding.**
- **Keep the power cord away from the rotating bit. Do not wrap the cord around any part of your body.** An electric cord wrapped around a spinning bit may cause personal injury and loss of control.

### Residual Risks

The following risks are inherent to the use of rotary hammers:

- Injuries caused by touching the rotating parts or hot parts of the tool

In spite of the application of the relevant safety regulations and the implementation of safety devices, certain residual risks cannot be avoided. These are:

- Impairment of hearing.
- Risk of squeezing fingers when changing the accessory.
- Health hazards caused by breathing dust developed when working in concrete and/or masonry.

### Markings on Tool

The following pictograms are shown on the tool:



Read instruction manual before use.



Wear ear protection.



Wear eye protection.

### DATE CODE POSITION (FIG. 1)

The Date Code (n), which also includes the year of manufacture, is printed into the housing.

Example:

2013 XX XX

Year of Manufacture

### Package Contents

The package contains:

- 1 Heavy-duty rotary hammerdrill
- 1 Side handle
- 1 Depth adjustment rod
- 1 Kitbox
- 1 Keyless chuck (D25124K)
- 1 Instruction manual
- 1 Exploded drawing
- Check for damage to the tool, parts or accessories which may have occurred during transport.
- Take the time to thoroughly read and understand this manual prior to operation.



## Description (fig. 1)



**WARNING:** Never modify the power tool or any part of it. Damage or personal injury could result.

- a. Variable speed switch
- b. Lock-on button
- c. Forward/reverse slider
- d. Mode selector
- e. Safety lock
- f. Tool holder
- g. Dust cover
- h. Locking collar (D25124)
- i. Depth adjustment rod
- j. Side handle
- k. Depth stop clamp

### INTENDED USE

These heavy-duty rotary hammers have been designed for professional drilling and hammerdrilling, screwdriving and light chipping

**DO NOT** use under wet conditions or in presence of flammable liquids or gases.

These hammerdrills are professional power tools.

**DO NOT** let children come into contact with the tool. Supervision is required when inexperienced operators use this tool.

- This product is not intended for use by persons (including children) suffering from diminished physical, sensory or mental abilities; lack of experience, knowledge or skills unless they are supervised by a person responsible for their safety. Children should never be left alone with this product.

## Electrical Safety

The electric motor has been designed for one voltage only. Always check that the power supply corresponds to the voltage on the rating plate.



Your DEWALT tool is double insulated in accordance with EN 60745; therefore no earth wire is required.



**WARNING:** 120 V units have to be operated via a fail-safe isolating transformer with an earth screen between the primary and secondary winding.

If the supply cord is damaged, it must be replaced by a specially prepared cord available through the DEWALT service organisation.

## Mains Plug Replacement (Middle East and Africa)

If a new mains plug needs to be fitted:

- Safely dispose of the old plug.
- Connect the brown lead to the live terminal in the plug.
- Connect the blue lead to the neutral terminal.



**WARNING:** No connection is to be made to the earth terminal.

Follow the fitting instructions supplied with good quality plugs. Recommended fuse: 13 A.

## Using an Extension Cable

If an extension cable is required, use an approved extension cable suitable for the power input of this tool (see **Technical Data**). The minimum conductor size is 1 mm<sup>2</sup>; the maximum length is 30 m.

When using a cable reel, always unwind the cable completely.

## ASSEMBLY AND ADJUSTMENTS



**WARNING:** To reduce the risk of injury, turn unit off and disconnect machine from power source before installing and removing accessories, before adjusting or changing set-ups or when making repairs. Be sure the trigger switch is in the OFF position. An accidental start-up can cause injury.

## Selecting the Operating Mode (fig. 2)

The tool can be used in the following operating modes:



Rotary drilling: for screwdriving and for drilling into steel, wood and plastics



Hammerdrilling: for concrete and masonry drilling operations.

Bit rotation: non-working position used only to rotate a flat chisel into the desired position



Hammering only: for light chipping, chiselling and demolition applications. In this mode the tool can also be used as a lever to free a jammed drill bit.

1. To select the operating mode, press the safety lock (e) and rotate the mode selector switch (d) until it points to the symbol of the required mode.

## ENGLISH

2. Release the safety lock and check that the mode selector switch is locked in place.



**WARNING:** Do not select the operating mode when the tool is running.

### Indexing the Chisel Position (fig. 2)

The chisel can be indexed and locked into 52 different positions.

1. Rotate the mode selector switch (d) until it points to the "bit rotation" position.
2. Rotate the chisel in the desired position.
3. Set the mode selector switch (d) to the "hammering only" position.
4. Twist the chisel until it locks in position.

### Inserting and Removing SDS Plus® Accessories (fig. 3)

This tool uses SDS Plus® accessories (refer to the inset in figure 3 for a cross-section of an SDS Plus® bit shank). We recommend to use professional accessories only.

1. Clean and grease the bit shank.
2. Insert the bit shank into the tool holder (f).
3. Push the bit down and turn it slightly until it fits into the slots.
4. Pull on the bit to check if it is properly locked. The hammering function requires the bit to be able to move axially several centimetres when locked in the tool holder.
5. To remove a bit pull back the tool holder locking sleeve (l) and pull out the bit.



**WARNING:** Always wear gloves when you change accessories. The exposed metal parts on the tool and accessory may become extremely hot during operation.

### Fitting the Side Handle (fig. 4)

The side handle (j) can be fitted to suit both RH- and LH-users.



**WARNING:** Do not use the tool without the side handle properly assembled.

1. Loosen the side handle.
2. **For RH-users:** slide the side handle clamp over the collar behind the tool holder, handle at the left.

**For LH-users:** slide the side handle clamp over the collar behind the tool holder, handle at the right.

3. Rotate the side handle to the desired position and tighten the handle.

### Setting the Drilling Depth (fig. 5)

1. Insert the required drill bit as described above.
2. Press the depth stop clamp (k) and keep it depressed.
3. Fit the depth adjustment rod (i) through the hole in the depth stop clamp.
4. Adjust the drilling depth as shown.
5. Release the depth stop clamp.

### Forward/reverse Slider (fig. 6)

1. Push the forward/reverse slider (c) to the RH-side for forward (RH) rotation. See arrows on tool.
2. Push the forward/reverse slider (c) to the LH-side for reverse (LH) rotation.



**WARNING:** Always wait until the motor has come to a complete standstill before changing the direction of rotation.

### Fitting the Chuck Adapter and Chuck

#### D25123

1. Screw the chuck onto the threaded end of the chuck adapter.
2. Insert the connected chuck and adapter in the tool as though it were a standard SDS Plus® bit.
3. To remove the chuck, proceed as for removing a standard SDS Plus® bit.



**WARNING:** Never use standard chucks in the hammerdrilling mode.

### Replacing the Tool Holder with the Chuck (fig. 7)

#### D25124K

1. Turn the locking collar (h) into the unlocking position and pull the tool holder (f) off.
2. Push the chuck (m) onto the spindle and turn the locking collar into the locking position.
3. To replace the chuck with the tool holder, first remove the chuck the same way as the tool holder was removed. Then place the tool holder the same way as the chuck was placed.



**WARNING:** Never use standard chucks in the hammerdrilling mode.

## Replacing the Dust Cover (fig. 3)

The dust cover (g) prevents dust ingress into the mechanism. Replace a worn dust cover immediately.

1. Pull back the tool holder locking sleeve (l) and pull the dust cover (g) off.
2. Fit the new dust cover.
3. Release the tool holder locking sleeve.

## OPERATION

### Instructions for Use



**WARNING:**

- Always observe the safety instructions and applicable regulations.
- Be aware of the location of pipework and wiring.
- Apply only a gentle pressure to the tool (approx. 5 kg). Excessive force does not speed up drilling but decreases tool performance and may shorten tool life.
- Do not drill or drive too deep to prevent damage to the dust cover.
- Always hold the tool firmly with both hands and ensure a secure stance (fig. 8). Always operate the tool with the side handle properly mounted.

### Proper Hand Position (fig. 8)



**WARNING:** To reduce the risk of serious personal injury, **ALWAYS** use proper hand position as shown.



**WARNING:** To reduce the risk of serious personal injury, **ALWAYS** hold securely in anticipation of a sudden reaction.

Proper hand position requires one hand on the side handle (j), with the other hand on the main handle (o).

### Switching On and Off (fig. 1)

1. To run the tool, press the variable speed switch (a). The pressure exerted on the variable speed switch determines the tool speed.
2. For continuous operation, press and hold down the variable speed switch, press the lock-on button (b) and release the switch.
3. To stop the tool, release the switch.

4. To stop the tool in continuous operation, press the switch briefly and release it. Always switch off the tool when work is finished and before unplugging.

## Hammerdrilling (fig. 1)

### DRILLING WITH A SOLID BIT

1. Set the mode selector switch (d) to the hammerdrilling position.
2. Insert the appropriate drill bit.

**NOTE:** For best results use high quality carbide-tipped bits.

3. Adjust the side handle (j) as required.
4. If necessary, set the drilling depth.
5. Mark the spot where the hole is to be drilled.
6. Place the drill bit on the spot and switch on the tool.
7. Always switch off the tool when work is finished and before unplugging.

### DRILLING WITH A CORE BIT

1. Set the mode selector (d) to the hammerdrilling position.
2. Adjust the side handle (j) as required.
3. Insert the appropriate core bit.
4. Assemble the centerdrill into the core bit.
5. Place the centerdrill on the spot and press the variable speed switch (a). Drill until the core penetrates into the concrete approx. 1 cm.
6. Stop drilling and remove the centerdrill. Place the core bit back into the hole and continue drilling.
7. When drilling through a structure thicker than the depth of the core bit, break away the round cylinder of concrete or core inside the bit at regular intervals. To avoid unwanted breaking away of concrete around the hole, first drill a hole the diameter of the center drill completely through the structure. Then drill the cored hole halfway from each side.
8. Always switch off the tool when work is finished and before unplugging.

## Rotary Drilling (fig. 1)

1. Set the mode selector switch (d) to the "rotary drilling" position.
2. Depending on your tool, follow either of the following instructions:
  - **D25123:** Fit the chuck adapter/chuck assembly.

## ENGLISH

- **D25124:** Replace the tool holder with the chuck .
3. Proceed as described for hammerdrilling.



**WARNING:** Never use standard chucks in the hammerdrilling mode.

### Screwdriving (fig. 1)

1. Set the mode selector switch (d) to the rotary drilling position.
2. Select the direction of rotation.
3. Depending on your tool, follow either of the following instructions:
  - **D25123:** Insert the special SDS Plus® screwdriving adaptor for use with hexagonal screwdriver bits.
  - **D25124K:** Replace the tool holder with the chuck.
4. Insert the appropriate screwdriver bit. When driving slotted head screws always use bits with a finder sleeve.
5. Gently press the variable speed switch (a) to prevent damage to the screw head. In reverse (LH) rotation the tool speed is automatically reduced for easy screw removal.
6. When the screw is flush with the workpiece, release the variable speed switch to prevent the screw head from penetrating into the workpiece.

### Chipping and Chiselling (fig. 1)

1. Set the mode selector switch (d) to the “hammering only” position.
2. Insert the appropriate chisel and rotate it by hand to lock it into one of 52 positions.
3. Adjust the side handle (j) as required.
4. Switch on the tool and start working.
5. Always switch off the tool when work is finished and before unplugging.



**WARNING:**

- Do not use this tool to mix or pump easily combustible or explosive fluids (benzine, alcohol, etc.).
- Do not mix or stir inflammable liquids

### MAINTENANCE

Your DEWALT power tool has been designed to operate over a long period of time with a minimum of maintenance. Continuous satisfactory operation depends upon proper tool care and regular cleaning.



**WARNING:** To reduce the risk of injury, turn unit off and disconnect machine from power source before installing and removing accessories, before adjusting or changing set-ups or when making repairs. Be sure the trigger switch is in the OFF position. An accidental start-up can cause injury.

- This machine is not user-serviceable. Take the tool to an authorised DEWALT repair agent after approximately 40 hours of use. If problems occur before this time contact an authorised DEWALT repair agent.
- The tool will automatically switch off when the carbon brushes are worn.

### Motor Brushes

DEWALT uses an advanced brush system which automatically stops the drill when the brushes wear out. This prevents serious damage to the motor. New brush assemblies are available at authorised DEWALT service centers. Always use identical replacement parts.



### Lubrication

Your power tool requires no additional lubrication. Accessories and attachments used must be regularly lubricated around the SDS Plus® fitment.



### Cleaning



**WARNING:** Blow dirt and dust out of the main housing with dry air as often as dirt is seen collecting in and around the air vents. Wear approved eye protection and approved dust mask when performing this procedure.



**WARNING:** Never use solvents or other harsh chemicals for cleaning the non-metallic parts of the tool. These chemicals may weaken the materials used in these parts. Use a cloth dampened only with water and mild soap. Never let any liquid get inside the tool; never immerse any part of the tool into a liquid.

## Optional Accessories



**WARNING:** Since accessories, other than those offered by DEWALT, have not been tested with this product, use of such accessories with this tool could be hazardous. To reduce the risk of injury, only DEWALT recommended accessories should be used with this product.

Various types of SDS Plus® drill bits and chisels are available as an option.

Consult your dealer for further information on the appropriate accessories.

## Protecting the Environment



Separate collection. This product must not be disposed of with normal household waste.

Should you find one day that your DEWALT product needs replacement, or if it is of no further use to you, do not dispose of it with household waste. Make this product available for separate collection.



Separate collection of used products and packaging allows materials to be recycled and used again. Re-use of recycled materials helps prevent environmental pollution and reduces the demand for raw materials.

Local regulations may provide for separate collection of electrical products from the household, at municipal waste sites or by the retailer when you purchase a new product.

DEWALT provides a facility for the collection and recycling of DEWALT products once they have reached the end of their working life. To take advantage of this service please return your product to any authorised repair agent who will collect them on our behalf.

You can check the location of your nearest authorised repair agent by contacting your local DEWALT office at the address indicated in this manual. Alternatively, a list of authorised DEWALT repair agents and full details of our after-sales service and contacts are available on the Internet at: **[www.2helpU.com](http://www.2helpU.com)**.

# MARTEAUX-PERFORATEURS ROTATIFS INDUSTRIELS D25123, D25124

## Félicitations !

Vous avez choisi un outil DEWALT. Des années d'expertise dans le développement et l'innovation de ses produits ont fait de DEWALT, le partenaire privilégié des utilisateurs professionnels d'outils électriques.

## Caractéristiques techniques

		D25123	D25124
Tension	V <sub>AC</sub>	220/240	220/240
		120	120
Type		1	1
Puissance absorbée	W	800	800
Vitesse à vide	min <sup>-1</sup>	0 à 1.150	0 à 1.150
Vitesse en charge	min <sup>-1</sup>	0 à 830	0 à 830
Énergie d'impact	Marteau-perforateur	J	3,1
	Ciselage	J	3,4
Plage de perçage maximum dans l'acier/bois/béton	mm	13/30/26	13/30/26
Positions de ciselage		52	52
Capacité de trépanage dans la brique tendre	mm	65	65
Porte-outil		SDS Plus®	SDS Plus®
Diamètre de bague	mm	54	54
Poids	kg	2,9	2,9

## Définitions : consignes de sécurité

Les définitions ci-après décrivent le degré de risques associé à chaque balise. Lire soigneusement la notice d'instructions et respecter ces symboles.



**DANGER** : indique une situation de danger imminent qui, si rien n'est fait pour l'éviter, **aura** comme conséquences la **mort ou des dommages corporels graves**.



**AVERTISSEMENT** : indique une situation de danger potentiel qui, si rien n'est fait pour l'éviter, **pourra** avoir comme conséquences la **mort ou des dommages corporels graves**.



**ATTENTION** : indique une situation de danger potentiel qui, si rien n'est fait pour l'éviter, **pourrait** avoir comme conséquences des **dommages corporels mineurs ou moindres**.

**AVIS** : indique une pratique ne **posant aucun risque de dommages corporels**, mais qui par contre, si rien n'est fait pour l'éviter, **pourrait** poser des **risques de dommages matériels**.



Indique des risques de décharges électriques.



Indique des risques d'incendie.



**AVERTISSEMENT** : pour réduire tout risque de dommages corporels, lire la notice d'instructions

## Consignes de sécurité générales propres aux outils électriques



**AVERTISSEMENT ! lire toutes les directives et consignes de sécurité.**

Tout manquement aux directives et consignes ci-incluses comporte des risques de décharges électriques, d'incendie et/ou de dommages corporels graves.

### CONSERVER TOUTES CES DIRECTIVES ET CONSIGNES À TITRE DE RÉFÉRENCE

Le terme « outil électrique » mentionné dans les avertissements ci-après se rapporte aux outils alimentés sur secteur (avec fil) ou par piles (sans fil).

#### 1) SÉCURITÉ – AIRE DE TRAVAIL

- Maintenir l'aire de travail propre et bien éclairée.** Les lieux sombres ou encombrés sont propices aux accidents.
- Ne pas utiliser un outil électrique dans un milieu déflagrant, comme en présence de liquides, gaz ou poussières inflammables.** Les outils électriques peuvent produire des étincelles qui pourraient enflammer toute émanation ou poussière ambiante.
- Maintenir à l'écart les enfants, ou toute autre personne, lors de l'utilisation d'un outil électrique.** Toute distraction pourrait faire perdre la maîtrise de l'appareil.

#### 2) SÉCURITÉ – ÉLECTRICITÉ

- La fiche électrique de l'outil doit correspondre à la prise murale. Ne modifier la fiche en aucune façon. Ne pas utiliser de fiche d'adaptation avec**

**un outil électrique mis à la terre (masse).**

L'utilisation de fiches d'origine et de prises appropriées réduira tout risque de décharges électriques.

- b) **Éviter tout contact corporel avec des éléments mis à la terre comme : tuyaux, radiateurs, cuisinières ou réfrigérateurs.**  
Les risques de décharges électriques augmentent lorsque le corps est mis à la terre.
- c) **Ne pas exposer les outils électriques à la pluie ou à l'humidité.** Tout contact d'un outil électrique avec un liquide augmente les risques de décharges électriques.
- d) **Ne pas utiliser le cordon de façon abusive. Ne jamais utiliser le cordon pour transporter, tirer ou débrancher un outil électrique. Protéger le cordon de toute source de chaleur, de l'huile, et de tout bord tranchant ou pièce mobile.**  
Les cordons endommagés ou emmêlés augmentent les risques de décharges électriques.
- e) **En cas d'utilisation d'un outil électrique à l'extérieur, utiliser systématiquement une rallonge conçue à cet effet.** Cela diminuera tout risque de décharges électriques.
- f) **Si on ne peut éviter d'utiliser un outil électrique en milieu humide, utiliser un circuit protégé par un dispositif de courant résiduel (RCD).** Cela réduira tout risque de décharges électriques.

### 3) SÉCURITÉ INDIVIDUELLE

- a) **Rester systématiquement vigilant et faire preuve de jugement lorsqu'on utilise un outil électrique. Ne pas utiliser d'outil électrique en cas de fatigue ou sous l'influence de drogues, d'alcool ou de médicaments.** Tout moment d'inattention pendant l'utilisation d'un outil électrique comporte des risques de dommages corporels graves.
- b) **Porter un équipement de protection individuel. Porter systématiquement un dispositif de protection oculaire.** Le fait de porter un masque anti-poussières, des chaussures antidérapantes, un casque de sécurité ou un dispositif de protection auditive, lorsque la situation le requiert, réduira les risques de dommages corporels.
- c) **Prévenir tout démarrage accidentel. S'assurer que l'interrupteur est en position d'arrêt avant de brancher l'outil sur le secteur et/ou à la batterie, ou de le ramasser ou le transporter.** Transporter un

outil le doigt sur l'interrupteur ou brancher un outil électrique alors que l'interrupteur est en position de marche invite les accidents.

- d) **Retirer toute clé de réglage avant de démarrer l'outil.** Une clé laissée sur une pièce rotative d'un outil électrique comporte des risques de dommages corporels.
- e) **Adopter une position stable. Maintenir les pieds bien ancrés au sol et conserver son équilibre en permanence.** Cela permettra de mieux maîtriser l'outil électrique en cas de situations imprévues.
- f) **Porter des vêtements appropriés. Ne porter aucun vêtement ample ou bijou. Maintenir cheveux, vêtements et gants à l'écart des pièces mobiles,** car ils pourraient s'y faire prendre.
- g) **Lorsqu'un dispositif de connexion à un système de dépoussiérage ou d'élimination est fourni, s'assurer qu'il est branché et utilisé correctement.** L'utilisation de ces dispositifs peut réduire les risques engendrés par les poussières.

### 4) UTILISATION ET ENTRETIEN DES OUTILS ÉLECTRIQUES

- a) **Ne pas forcer un outil électrique. Utiliser l'outil approprié au travail en cours.** L'outil approprié effectuera un meilleur travail, de façon plus sûre et à la vitesse pour laquelle il a été conçu.
- b) **Ne pas utiliser un outil électrique dont l'interrupteur est défectueux.** Tout appareil dont l'interrupteur est défectueux est dangereux et doit être réparé.
- c) **Débrancher la fiche du secteur et/ou la batterie de l'outil électrique avant d'effectuer tout réglage, de changer tout accessoire, ou avant de le ranger.** Ces mesures préventives réduiront tout risque de démarrage accidentel de l'appareil.
- d) **Après utilisation, ranger les outils électriques hors de portée des enfants et ne permettre à aucune personne non familière avec son fonctionnement (ou sa notice d'instructions) de l'utiliser.** Les outils peuvent être dangereux entre des mains inexpérimentées.
- e) **Entretenir les outils électriques. Vérifier les pièces mobiles pour s'assurer qu'elles sont bien alignées et tournent librement, qu'elles sont en bon état et ne sont affectées d'aucune condition susceptible de nuire au bon fonctionnement de l'outil. En cas de dommage, faire réparer l'outil électrique avant toute nouvelle utilisation.** De nombreux accidents sont causés par des outils mal entretenus.

## FRANÇAIS

- f) **Maintenir tout organe de coupe propre et bien affûté.** Les outils de coupe bien entretenus et affûtés sont moins susceptibles de se coincer et sont plus faciles à contrôler.
- g) **Utiliser un outil électrique, ses accessoires, mèches, etc., conformément aux présentes directives et suivant la manière prévue pour ce type particulier d'outil électrique, en tenant compte des conditions de travail et de la tâche à effectuer.** L'utilisation d'un outil électrique à des fins autres que celles prévues est potentiellement dangereuse.

### 5) RÉPARATION

- a) **Faire entretenir les outils électriques par un réparateur qualifié en n'utilisant que des pièces de rechange identiques.** Cela permettra de préserver l'intégrité de l'outil électrique et la sécurité de l'utilisateur.

### Règles de sécurité particulières additionnelles propres aux marteaux rotatifs

- **Porter une protection pour l'ouïe lors du perçage à percussion.** L'exposition au bruit peut causer des pertes de l'ouïe.
- **Utiliser la poignée auxiliaire fournie avec l'outil.** Une perte de contrôle de l'outil pourrait occasionner des dommages corporels.
- **Tenir l'outil par les surfaces isolées prévues à cet effet pendant toute utilisation où l'organe de coupe pourrait entrer en contact avec des fils électriques cachés ou son propre cordon.** Tout contact de l'organe de coupe avec un fil sous tension met les parties métalliques exposées de l'outil sous tension et électrocute l'utilisateur.
- **Utiliser des serre-joints, ou tout autre moyen, pour fixer et immobiliser le matériau sur une surface stable.** Tenir la pièce à la main ou contre son corps offre une stabilité insuffisante qui pourrait vous en faire perdre le contrôle.
- **Porter des lunettes de protection ou tout autre dispositif de protection oculaire.** Le martelage produit des particules volantes. Ces particules peuvent causer des dommages oculaires permanents. Porter un masque anti-poussières ou un appareil de protection des voies respiratoires pour toute application productrice de poussières. Une protection auditive peut s'avérer nécessaire pour la plupart des applications.

- **Maintenir systématiquement l'outil fermement. Ne pas tenter d'utiliser cet outil sans le maintenir à deux mains.** Il est recommandé d'utiliser systématiquement la poignée latérale. Le fait d'utiliser cet outil à une main pourra vous en faire perdre le contrôle. Traverser ou rencontrer des matériaux durs comme les armatures peut aussi s'avérer dangereux. Arrimer soigneusement la poignée latérale avant toute utilisation.
- **Ne pas utiliser cet outil pendant des périodes prolongées.** Les vibrations causées par l'action du marteau peuvent être dangereuses pour les mains ou les bras. Porter des gants pour amortir les vibrations, et pour limiter les risques, faire des pauses fréquentes.
- **Ne pas remettre à neuf les forets soi-même.** La remise à neuf de tout burin doit être effectuée par un spécialiste agréé. Tout burin remis à neuf incorrectement pose des risques de dommages corporels.
- **Porter des gants lors de l'utilisation de l'outil ou le changement de burin.** Les parties métalliques accessibles de l'outil et des burins pourraient s'avérer brûlantes pendant l'utilisation. De petits débris de matériau pourraient blesser les mains nues.
- **Attendre systématiquement l'arrêt complet de la mèche/burin avant de déposer l'outil où que ce soit.** Des burins/mèches en rotation posent des risques de dommages corporels.
- **Ne pas asséner des coups de marteau sur des burins coincés pour les déloger.** Des fragments de métal ou de matériau pourraient être éjectés et causer des dommages corporels.
- **Les burins légèrement usés peuvent être réaffûtés.**
- **Maintenir le cordon d'alimentation à l'écart d'une mèche en rotation. Ne pas enrouler le cordon autour d'une partie quelconque de votre corps.** Un cordon électrique enroulé autour d'un burin en rotation pose des risques de dommages corporels et de la perte de contrôle de l'outil.

### Risques résiduels

Les risques suivants sont inhérents à l'utilisation des marteaux rotatifs :

- Dommages corporels par contact avec les pièces rotatives ou des parties brûlantes de l'outil



En dépit de l'application des normes de sécurité en vigueur et de l'installation de dispositifs de sécurité, certains risques résiduels sont inévitables. Ce sont :

- Diminution de l'acuité auditive.
- Risques de se pincer les doigts lors du changement d'accessoires.
- Risques pour la santé causés par la respiration de poussières dégagées lors du travail sur béton et/ou maçonnerie.

## Étiquettes sur l'appareil

On trouve les diagrammes suivants sur l'appareil :



Lire la notice d'instructions avant toute utilisation.



Portez un serre-tête antibruit.



Portez des lunettes de sécurité.

## EMPLACEMENT DE LA DATE CODÉE DE FABRICATION (FIG. 1)

La date codée de fabrication (n), qui comprend aussi l'année de fabrication, est imprimée sur le boîtier.

Exemple :

2013 XX XX  
Année de fabrication

## Contenu de l'emballage

Ce carton comprend :

- 1 Marteau-perforateur rotatif industriel
- 1 Poignée latérale
- 1 Tige de réglage de profondeur
- 1 Coffret
- 1 Mandrin automatique (D25124K)
- 1 Notice d'instructions
- 1 Dessin éclaté
  - Vérifier que l'appareil et ses pièces ou accessoires n'ont pas été endommagés lors du transport.
  - Prendre le temps de lire attentivement et comprendre cette notice d'instructions avant toute utilisation de l'appareil.

## Description (fig. 1)



**AVERTISSEMENT** : ne jamais modifier l'outil ni aucun de ses composants, car cela pose des risques de dommages corporels ou matériels.

- a. Interrupteur à vitesse variable
- b. Bouton de verrouillage en position de marche
- c. Glissière de marche avant/arrière
- d. Sélecteur de mode
- e. Verrouillage
- f. Porte-outil
- g. Protège-poussière
- h. Bague de verrouillage (D25124)
- i. Tige de réglage de profondeur
- j. Poignée latérale
- k. Verrou de butée de profondeur

## USAGE PRÉVU

Ces marteaux rotatifs industriels ont été conçus pour le perçage, le martelage, le vissage et le ciselage léger professionnels.

**NE PAS** utiliser ces outils en milieu ambiant humide ou en présence de liquides ou de gaz inflammables.

Ces marteaux-perforateurs sont des outils électriques professionnels. **NE PAS** le laisser à la portée des enfants. Une supervision est nécessaire auprès de tout utilisateur non expérimenté.

- Ce produit n'est pas prévu pour être utilisé par des personnes (y compris les enfants) dont les capacités physiques, sensorielles ou mentales sont réduites ou qui manquent d'expérience ou d'aptitudes, sauf si ces personnes sont surveillées par une autre personne responsable de leur sécurité. Ne jamais laisser les enfants seuls avec ce produit.

## Sécurité électrique

Le moteur électrique a été conçu pour fonctionner sur une tension unique. Vérifier systématiquement que la tension du secteur correspond bien à la tension indiquée sur la plaque signalétique.



Votre outil DEWALT à double isolation est conforme à la norme EN 60745 ; un branchement à la terre n'est donc pas nécessaire.



**AVERTISSEMENT** : les appareils à 120 V doivent être utilisés avec des transformateurs d'isolation à l'épreuve des pannes doté d'un écran de terre entre l'enroulement primaire et secondaire.

Si le cordon fourni est endommagé, le remplacer par un cordon spécialement conçu à cet effet, et disponible auprès du service après-vente DEWALT.



Toujours utiliser la fiche prescrite lors du remplacement du câble d'alimentation.

## FRANÇAIS

Type 11 pour la classe II  
(Isolation double) – outils

Type 12 pour la classe I  
(Conducteur de terre) – outils

- (CH)** En cas d'utilisation à l'extérieur, connecter les outils portatifs à un disjoncteur FI.

### Remplacement de la fiche d'alimentation (Moyen-Orient et Afrique)

Si une nouvelle fiche d'alimentation doit être montée :

- Mettre soigneusement au rebut l'ancienne fiche.
- Raccorder le fil marron à la borne de phase dans la fiche.
- Raccorder le fil bleu à la borne de neutre.



**AVERTISSEMENT** : aucun branchement ne doit être fait à la borne de terre.

Suivez les instructions de montage fournies avec des fiches de bonne qualité. Fusible recommandé : 13 A.

### Utilisation d'une rallonge

Si une rallonge s'avère nécessaire, utiliser une rallonge homologuée et compatible avec la tension nominale de cet outil (se reporter à la section **Caractéristiques techniques**). La section minimale du conducteur est de 1 mm<sup>2</sup> pour une longueur maximale de 30 m.

En cas d'utilisation d'un dévidoir, dérouler systématiquement le câble sur toute sa longueur.

### MONTAGE ET RÉGLAGES



**AVERTISSEMENT** : afin de réduire le risque de blessure, éteignez et débranchez l'outil de la source d'alimentation avant de monter ou d'enlever les accessoires, avant d'effectuer ou de modifier les réglages, ou bien lors des réparations. Assurez-vous que la gâchette est sur la position Arrêt. Un démarrage involontaire peut entraîner des blessures.

### Sélection du mode d'utilisation (fig. 2)

Cet outil peut être utilisé dans les modes d'utilisation suivants :



Perçage rotatif : pour le vissage et le perçage de l'acier, le bois et les plastiques ;



Martelage : pour le perçage du béton et de la maçonnerie ;  
Rotation de mèche : position d'inactivité utilisée seulement pour faire pivoter un ciseau plat dans la position désirée.



Martelage seulement : pour la démolition, le burinage et le ciselage légers. Dans ce mode, l'outil peut aussi être utilisé comme levier pour libérer une mèche coincée.

1. Pour sélectionner le mode d'utilisation, appuyez sur le verrouillage (e) et tournez le sélecteur de mode (d) sur le symbole du mode requis.
2. Relâchez le verrouillage et vérifiez que le sélecteur de mode est bien verrouillé en place.



**AVERTISSEMENT** : ne pas changer de mode d'utilisation alors que l'outil est en marche.

### Indexage de la position ciselage (fig. 2)

Le ciselage peut être indexé et verrouillé sur 52 différentes positions.

1. Tournez le sélecteur de mode (d) sur la position « rotation de mèche ».
2. Tournez le ciseau sur la position désirée.
3. Réglez le sélecteur de mode (d) sur la position « martelage seulement ».
4. Tournez le ciseau jusqu'à ce qu'il se verrouille en place.

### Insertion et retrait des accessoires SDS Plus® (fig. 3)

Cet outil utilise des accessoires SDS Plus® (se reporter au détail en figura 3 pour observer la coupe transversale d'une tige de mèche SDS Plus®). Il est recommandé d'utiliser exclusivement des accessoires de professionnels.

1. Nettoyez et graissez la tige de mèche.
2. Insérez la tige de mèche dans le porte-outil (f).
3. Poussez à fond la mèche et tournez-la légèrement jusqu'à ce qu'elle s'encastre en place.
4. Tirez sur la mèche pour vérifier qu'elle est bien verrouillée. La fonction de martelage requiert que la mèche puisse bouger sur son axe de quelques centimètres une fois verrouillée dans le porte-outil.

5. Pour retirer la mèche, repoussez le manchon de verrouillage du porte-outil (l) et retirez la mèche.



**AVERTISSEMENT** : porter systématiquement des gants lors du changement d'accessoires. Les parties métalliques exposées de l'outil et de l'accessoire peuvent devenir extrêmement brûlantes pendant leur utilisation.

### Installation de la poignée latérale (fig. 4)

La poignée latérale (j) peut être installée pour accommoder les utilisateurs gauchers ou droitiers.



**AVERTISSEMENT** : ne pas utiliser l'outil sans la poignée latérale correctement installée.

1. Desserrez la poignée latérale.
2. **Pour les droitiers** : insérez le dispositif de fixation de la poignée latérale sur la bague derrière le porte-outil, poignée à gauche.  
**Pour les gauchers** : insérez le dispositif de fixation de la poignée latérale sur la bague derrière le porte-outil, poignée à droite.
3. Faites pivoter la poignée latérale sur la position désirée puis serrez la poignée.

### Réglage de la profondeur de pénétration (fig. 5)

1. Insérez la mèche requise, comme décrit ci-dessus.
2. Poussez puis maintenez appuyé le verrou de butée de profondeur (k).
3. Insérez la tige de réglage de profondeur (l) dans l'orifice du verrou de butée de profondeur.
4. Ajustez la profondeur de pénétration, comme illustré.
5. Relâchez le verrou de butée de profondeur.

### Glissière de marche avant/arrière (fig. 6)

1. Poussez la glissière de marche avant/arrière (c) sur le côté droit pour une rotation avant (D). Voir les flèches sur l'outil.
2. Poussez la glissière de marche avant/arrière (c) sur le côté gauche pour une rotation arrière (G).



**AVERTISSEMENT** : attendre systématiquement l'arrêt complet du moteur avant de changer la direction de rotation.

### Installation de l'adaptateur de mandrin et du mandrin

D25123

1. Vissez le mandrin sur l'extrémité taraudée de l'adaptateur de mandrin.
2. Insérez le dispositif mandrin/adaptateur sur l'outil comme si c'était une mèche standard SDS Plus®.
3. Pour retirer le mandrin, procédez comme pour retirer une mèche standard SDS Plus®.



**AVERTISSEMENT** : ne jamais utiliser de mandrins standards en mode de martelage.

### Remplacement du porte-outil par le mandrin (fig. 7)

D25124K

1. Tournez la bague de verrouillage (h) dans sa position ouverte et retirez le porte-outil (f).
2. Poussez le mandrin (m) sur la broche et tournez la bague de verrouillage sur sa position verrouillée.
3. Pour remplacer le mandrin par le porte-outil, retirez d'abord le mandrin tout comme le porte-outil a été retiré. Puis installez le porte-outil tout comme le mandrin a été installé.



**AVERTISSEMENT** : ne jamais utiliser de mandrins standards en mode de martelage.

### Changement du protège-poussière (fig. 3)

Le protège-poussière (g) empêche la poussière de pénétrer dans le mécanisme. Remplacez le protège-poussière immédiatement quand il est usé.

1. Tirez sur le manchon de verrouillage du porte-outil (l) et retirez le protège-poussière (g).
2. Installez un protège-poussière neuf.
3. Relâchez le manchon de verrouillage du porte-outil.

## FONCTIONNEMENT

### Consignes d'utilisation



- AVERTISSEMENT** :
- respecter systématiquement les consignes de sécurité et les normes en vigueur.
  - attention aux tuyaux et aux fils électriques.

- *appliquer seulement une légère pression sur l'outil (5 kg environ). Toute force excessive n'accélèrera pas le perçage mais diminuera les performances de l'outil et sa durée de vie.*
- *ne pas percer ou visser trop profondément pour éviter d'endommager le protège-poussière.*
- *maintenir systématiquement l'outil fermement à deux mains, et maintenir sa stabilité et son équilibre (fig. 8). Utiliser systématiquement l'outil avec sa poignée latérale installée correctement.*

### Position correcte des mains (fig. 8)



**AVERTISSEMENT :** Pour réduire tout risque de dommages corporels graves, adopter **SYSTÉMATIQUEMENT** la position des mains illustrée.



**AVERTISSEMENT :** Pour réduire tout risque de dommages corporels graves, maintenir fermement et **SYSTÉMATIQUEMENT** l'outil pour anticiper toute réaction soudaine de sa part.

La position correcte des mains requiert une main sur la poignée latérale (j), et l'autre sur la poignée principale (o).

### Mise en marche et arrêt (fig. 1)

1. Pour mettre l'outil en marche, appuyez sur l'interrupteur à vitesse variable (a). La pression exercée sur l'interrupteur à vitesse variable déterminera la vitesse de l'outil.
2. Pour un travail continu, appuyez et maintenez enfoncé l'interrupteur à vitesse variable, appuyez sur le bouton de verrouillage (b) puis relâchez l'interrupteur.
3. Pour arrêter l'outil, relâchez l'interrupteur.
4. Pour arrêter l'outil en mode continu, appuyez rapidement sur l'interrupteur puis relâchez-le. Arrêtez systématiquement l'outil après utilisation et avant de le débrancher.

### Marteau-perforateur (fig. 1)

#### PERÇAGE AVEC TRÉPAN PLEIN

1. Réglez le sélecteur de mode (d) sur la position « martelage ».
2. Insérez le trépan approprié.

**REMARQUE :** Pour des résultats optimaux, utiliser des mèches à pointes au carbure de qualité supérieure.

3. Réglez la poignée latérale (j) comme requis.
4. Si nécessaire, ajustez la profondeur de perçage.
5. Marquez le point où le trou doit être percé.
6. Placez le trépan sur le tracé et mettez l'outil en marche.
7. Arrêtez systématiquement l'outil après utilisation et avant de le débrancher.

#### PERÇAGE AVEC TRÉPAN CAROTTIER

1. Réglez le sélecteur de mode (d) sur la position « martelage ».
2. Réglez la poignée latérale (j) comme requis.
3. Insérez le trépan carottier approprié.
4. Installez le foret à centrer dans le trépan carottier.
5. Placez le foret à centrer sur le tracé et appuyez sur l'interrupteur à vitesse variable (a). Percez jusqu'à ce que le trépan pénètre dans le béton d'environ 1 cm.
6. Arrêtez de percer et retirez le foret à centrer. Réinsérez le trépan carottier dans le trou et continuez de percer.
7. Pour traverser une structure plus épaisse que la longueur du trépan carottier, cassez à intervalles réguliers le cylindre de béton ou la carotte à l'intérieur du trépan. Pour éviter toute fissure indésirable du béton autour du trou, percez tout d'abord complètement un trou du diamètre du foret à centrer dans la structure. Puis percez avec le trépan à mi-chemin de chaque côté de la structure.
8. Arrêtez systématiquement l'outil après utilisation et avant de le débrancher.

### Perçage rotatif (fig. 1)

1. Réglez le sélecteur de mode (d) sur la position « perçage rotatif ».
2. Selon l'outil utilisé, suivez l'une ou l'autre série de directives suivantes :
  - **D25123** : Installez le dispositif adaptateur de mandrin/mandrin.
  - **D25124** : Remplacez le porte-outil par le mandrin.
3. Continuez comme décrit ci-dessus pour le martelage.



**AVERTISSEMENT :** ne jamais utiliser de mandrins standards en mode de martelage.

## Vissage (fig. 1)

- Réglez le sélecteur de mode (d) sur la position « perçage rotatif ».
- Sélectionnez la direction de rotation.
- Selon l'outil utilisé, suivez l'une ou l'autre série de directives suivantes :
  - **D25123** : Insérez l'adaptateur à visser SDS Plus® pour l'utiliser avec des embouts de tournevis hexagonaux.
  - **D25124K** : Remplacez le porte-outil par le mandrin,
- Insérez l'embout tournevis approprié. Pour enfoncer des vis à tête fendue utilisez systématiquement des embouts avec un manchon de guidage.
- Appuyez légèrement sur l'interrupteur à vitesse variable (a) pour éviter d'endommager la tête de vis. En rotation arrière (G), la vitesse de l'outil est automatiquement réduite pour faciliter le retrait de la vis.
- Lorsque la vis est au raz de la pièce à travailler, relâchez l'interrupteur à vitesse variable pour éviter que la tête de vis ne pénètre dans la pièce.

## Burinage et ciselage (fig. 1)

- Réglez le sélecteur de mode (d) sur la position « martelage seulement ».
- Insérez le ciseau approprié et faites-le tourner manuellement pour le verrouiller dans l'une des 52 positions.
- Réglez la poignée latérale (j) comme requis.
- Mettez l'outil en marche et commencez à travailler.
- Arrêtez systématiquement l'outil après utilisation et avant de le débrancher.



### AVERTISSEMENT :

- ne pas utiliser cet outil pour mélanger ou pomper des liquides aisément combustibles ou explosifs (benzine, alcool, etc.).
- ne pas mélanger ou combiner des liquides inflammables étiquetés comme tels.

## MAINTENANCE

Cet outil DEWALT a été conçu pour fonctionner longtemps avec un minimum de maintenance. Le fonctionnement continu et satisfaisant de l'outil dépend d'un entretien adéquat et d'un nettoyage régulier.



**AVERTISSEMENT : pour réduire tout risque de dommages corporels, arrêter l'outil et débrancher l'appareil du secteur avant d'installer ou retirer tout accessoire, avant tout réglage ou changement de configuration ou lors de réparations.** S'assurer que la gâchette est bien en position d'ARRÊT. Un démarrage accidentel pourrait causer des dommages corporels.

- Cet appareil ne peut être réparé par l'utilisateur. Le porter chez un réparateur agréé DEWALT après une quarantaine d'heures d'utilisation. En cas de problème entre temps, veuillez contacter un réparateur agréé DEWALT.
- Cet outil s'arrêtera automatiquement lorsque ses balais de charbon seront usés.

## Balais de moteur

DEWALT utilise une technologie de pointe en matière de balais qui arrête automatiquement la perceuse lorsque ses balais sont usés. Cela permet de protéger le moteur de tout dommage sérieux. Des modules de balai sont disponibles dans les centres de service autorisés DEWALT. Utilisez systématiquement des pièces de rechange d'origine.



## Lubrification

Votre outil électrique ne requiert aucune lubrification additionnelle.

Les accessoires et pièces utilisés doivent être régulièrement lubrifiés autour de l'adaptateur SDS Plus®.



## Entretien



**AVERTISSEMENT :** éliminer poussière et saleté du boîtier principal à l'aide d'air comprimé chaque fois que les orifices d'aération semblent s'encrasser. Porter systématiquement des lunettes de protection et un masque anti-poussières homologués au cours de cette procédure.



**AVERTISSEMENT :** ne jamais utiliser de solvants ou tout autre produit chimique décapant pour nettoyer les parties non métalliques de l'outil. Ces produits chimiques pourraient en attaquer les matériaux utilisés. Utiliser un chiffon humidifié avec de l'eau et un savon doux. Protéger l'outil de tout liquide et n'immerger aucune de ses pièces dans aucun liquide.

Pour connaître l'adresse d'un centre de réparation agréé près de chez vous, veuillez contacter votre distributeur DEWALT local à l'adresse indiquée dans cette notice d'instructions, ou consulter la liste des centres de réparation agréés DEWALT, l'éventail de notre SAV et tout renseignement complémentaire sur Internet à l'adresse : [www.2helpU.com](http://www.2helpU.com).

## Accessoires en option



**AVERTISSEMENT :** comme les accessoires autres que ceux offerts par DEWALT n'ont pas été testés avec ce produit, leur utilisation avec cet appareil pourrait être dangereuse. Pour réduire tout risque de dommages corporels, seuls des accessoires DEWALT recommandés doivent être utilisés avec cet appareil.

Différents types d'embouts à visser et ciseaux SDS Plus® sont disponibles en option.

Veuillez consulter votre revendeur pour plus d'informations sur les accessoires appropriés.

## Protection de l'environnement



Collecte sélective. Ne pas jeter ce produit avec les ordures ménagères.

En fin de durée de vie ou d'utilité de votre produit DEWALT, ne pas le jeter avec les ordures ménagères, mais dans les conteneurs de collecte sélective.



La collecte sélective des produits et emballages usagés permet de recycler et réutiliser leurs matériaux. La réutilisation de matériaux recyclés aide à protéger l'environnement contre la pollution et à réduire la demande en matière première.

Selon les réglementations locales, il peut être offert : service de collecte sélective individuel des produits électriques, ou déchetterie municipale ou collecte sur les lieux d'achat des produits neufs.

DEWALT dispose d'installations pour la collecte et le recyclage des produits DEWALT en fin de vie. Pour profiter de ce service, veuillez rapporter votre produit auprès d'un centre de réparation agréé qui le recyclera en notre nom.

<b>Afghanistan</b>	Ariana Hafiz Zabi Co. Ltd. Dahan Bagh Squire Karte Ariana, Kabul, Afghanistan	info@arianahafiz.com	Tel: 93-0-799331079 Fax: 93-0-700007576 / 93-0-799331079
<b>Algeria</b>	Sarl Outillage Corporation 08, Rue Med Boudiaf (ex TELLA Achen) Cheraga, Alger	hakim.merdjadi@outillage-dz.com lyes@outillage-dz.com Mali.faiza@outillage-dz.com; sidahmed@outillage-dz.com	Tel: 213-0-21375130 213-0-21375131 Fax: 213-0-21369667
<b>Angola</b>	Angoferraria, Lda. Rua Robert Shields, nº 61, Luanda, Angola	angoferraria@gmail.com sequiera.angoferraria@gmail.com	Tel: 244-222-395837 / 244-222-395034 Fax: 244-222-394790
<b>Azerbaijan</b>	Royalton Holdings Ltd. 41 Khagani St. Apt. 47 AZ1001 Baku- Azerbaijan	jai@royaltonholdings.com office@royaltonholdings.com	Tel: 994-12-4935544 Fax: 994-12-5980378
<b>Egypt</b>	ElFarab S.A.E. 15-Nabil El Wakkad Street, Dokki, Giza, Egypt	elfarab@elfarab.com adel.ezzat@elfarab.com mahmoud.elhosseiny@elfarab.com	Tel: 202-37603946 Fax: 202-33352796
<b>Ethiopia</b>	Seif Tewfik Sherif Arada Sub City, Kebele 01/02, Global Insurance Bldg., 2nd Flr., Room 43, P.O. Box 2525, Addis Ababa	seif@ethionet.et nawanag@ethionet.et	Tel: 251-11-1563968 251-11-1563969 Fax: 251-11-1558009
<b>Iraq</b>	Al-Sard Co. for General Trading Ltd Jbara Bldg. 3Flr. Al Rasheed St., Baghdad, Iraq	dewalt.service@yahoo.com	Tel: 964-18184102
<b>Jordan</b>	Amman West Stores-Bashiti 210 Garden St. Tla'a Ali, P.O. Box 1564 Tla Ali Amman 11953, Jordan	ali@bashitstores.com yousef@bashitstores.com	Tel: 962-6-5350009 Fax: 962-6-5350012
<b>Kenya</b>	Dextron Tools Ltd. P.O. Box 20121-00200, Shariff House, Kimathi Street, Nairobi	info@alibhaishariff.co.ke dextron@alibhaishariff.co.ke	Tel: 254-20-6905000 254-20-2358021 Fax: 254-20-6905111 / 254-20-6905112
<b>Lebanon</b>	Est. Shaya & Azar S.A.R.L. Boulevard Jdeideh - Mar Takla - Bouchrieh . P.O. Box 90545, Jdeideh. Beirut - Lebanon	shayazar@dm.net.lb	Tel: 961 1 872305 961 1 872306 Fax: 961 1 872303
<b>Libya</b>	North Africa Trading ( El Ghoul Brothers) P.O. Box 348, 7 October Street 11 Benghazi	maryam_farooq2003@yahoo.com nagte@eim.ae dewalt_libya@yahoo.com	Tel: 218-061-3383994 Fax: 218-092-7640688
	North Africa Trading ( El Ghoul Brothers) AlBarniq DeWALT Center, Mokhazin-elsukar St. ElFallah, Tripoli	dewalt_libya@yahoo.com	Tel: 218-021-3606430 Fax: 218-092-6514813
	North Africa Trading ( El Ghoul Brothers) AlHilal Service Center Tawergha St., Misurata		Tel: 218-091-3221408
<b>Mauritius</b>	Robert Le Marie Limited Old Moka Road, Bell Village, P.O. Box 161, Port Louis	a.blackburn.rm@rmgroup.mu jm.pierrelouis.rm@rmgroup.mu	Tel: 230-212 1865 230-212 2847 Fax: 230-2080843
<b>Morocco</b>	Ets Louis Guillaud & Cie 31, Rue Pierre Parent, Casablanca - 21000	boumadiane.azedine@elg.ma doukkail.marouane@elg.ma	Tel: 522-301446 / 305971 / 317815 / 315576 Fax: 522-444518 / 317888
<b>Nigeria</b>	Meridian Power Tools Ltd. Gr. Floor, #1 Alhaji Masha Rd, Next to Teslim Balogun Stadium, Near National Stadium Surulere, Lagos, Nigeria	braj@meridian-nigeria.com	Tel: 234-1-7740431 234-1-7740410 Fax: 234-1-7913798
<b>Pakistan</b>	Northern Toolings (Pvt) Ltd.-Lahore 86- Railway Road, Lahore - 7 Pakistan	zhayee@northern.pk import@northern.pk sales@northern.pk	Tel: 92-423-7651220 92-423-7641675 Fax: 92-423-7641674
	Northern Toolings (Pvt) Ltd.-Karachi 224-231 Industrial Town Plaza, Shahrah-e-Liaqat, Karachi, Pakistan	karachibr@northern.pk	Tel: 92-213-2465305 92-213-2465307 Fax: 92-213-2465301
	Northern Toolings (Pvt) Ltd.-Taxila Al-Rehman Plaza, Opposite Tehsil Court, Faisal Shaheed Road, Taxila	taxilabr@northern.pk	Tel: 92-51-4545811 Fax: 92-51-4544194
<b>South Africa</b>	Benray Tool Wholesalers C.C. 91 Turfontein Road, Stafford, Johannesburg, 2001 P.O. Box 260037 EXCOM 2023, South Africa	dewaltservice@benray.co.za zain@benray.co.za shafiq@benray.co.za	Tel: 27-11-6838350 Fax: 27-11-6837456
<b>Tanzania</b>	General Motors Investment Ltd. 14 Vingunguti-Nyerere Road, P.O.Box 16541, Dar es Salaam, Tanzania	ezra@gmi-tz.com info@gmi-tz.com chiwelesa@yahoo.com	Tel: 255-22-2865022 / 2862661 / 2862671 / 2862659 Fax: 255-22-2862667
<b>Tunisia</b>	Ets. Mohamed Ghorbel 03 Rue 8603 Chargaia I Tunis. Postal Code 2035	slim.ghorbel@gnet.tn moh.ghorbel@gnet.tn mourad.ghorbel@gnet.tn	Tel: 216-71794248 216-71793848 Fax: 216-71770759
<b>Uganda</b>	The Building Center (u) Ltd. 52 Station Road, Kitgum House, P.O. Box 7436 Kampala, Uganda	tbc@africaonline.co.ug chris@tbcu.co.ug	Tel: 256-041-4234567 256-041-4259754 Fax: 256-041-4236413
<b>Yemen</b>	Middle East Trading Co. (METCO) 5th Flr.Hayel Saeed Anam Bldg. Al-Mugamma St. Taiz, Yemen	tamer.metco@gmail.com tamer@metcotrading.com metco@metcotrading.com sami@metcotrading.com	Tel: 967-4-213455 Fax: 967-4-219869
	Middle East Trading Co. (METCO) Mualla Dakka, Aden	tamer.metco@gmail.com tamer@metcotrading.com metco@metcotrading.com	Tel: 967-2-222670 Fax: 967-2-222670
	Middle East Trading Co. (METCO) Hayel st., Sana'a, Yemen	tamer.metco@gmail.com tamer@metcotrading.com metco@metcotrading.com	Tel: 967-1-204201 Fax: 967-1-204204

<b>UAE</b>	Black & Decker (Overseas) GmbH P.O. Box 5420, Dubai	service.me@blackdecker.com	Tel: 971-4 8127400 / 8127406 Fax: 971-4 2822765	
	Ideal Star Workshop Eqpt. Trading LLC P.O. Box 37116, Al Quoz, Dubai	idealeq@emirates.net.ae	Tel: 971-4 3474160 Fax: 971-4 3474157	
	Alebrah Engineering Service P.O. Box 78954, Al Qusais, Dubai	alebrah@eim.ae	Tel: 971-4 2850044 Fax: 971-4 2844802	
	Burj Al Madeena Industrial Area No. 1, opp. Pakistani Masjid P.O. Box 37635, Sharjah	dewaltuae@hotmail.com	Tel: 971-6 5337747 Fax: 971-6 5337719	
	McCoy Middle East LLC P.O. Box 25793, Sharjah	mccoy@emirates.net.ae	Tel: 971-6 5395931 Fax: 971-6 5395932	
	McCoy Middle East LLC P.O. Box 10584, Ras Al Khaimah	mccoyrak@gmail.com	Tel: 971-7 2277095 Fax: 971-7 2277096	
	Al Sukoon Gen. Trdg. Co. LLC P.O. Box 2975, Ajman	sukoon@eim.ae	Tel: 971-6 7435725 / 7438317 Fax: 971-6 7437350	
	Zillion Equipment and Spare Parts Trading LLC P.O. Box 19740, opp. Bin Sadal / Trimix Redymix Sanaiya, Al Ain	zilliontrdg@gmail.com	Tel: 971-3 7216690 Fax: 971-3 7216103	
	Light House Electrical, Abu Dhabi Branch P.O. Box 120, Abu Dhabi	dewalt_lhe@hotmail.com	Tel: 971-2 6726131 Fax: 971-2 6720667	
	Light House Electrical, Musaffah Branch P.O. Box 120, Abu Dhabi	dewalt_lhe@hotmail.com	Tel: 971-2 5548315 Fax: 971-2 5540461	
	<b>Bahrain</b>	Alfouz Services Co. WLL P.O. Box 26562, Tubli, Manama	alfouz@batelco.com.bh	Tel: 973 17783562 / 17879987 Fax: 973 17783479
		Kavalani & Sons W.L.L. P.O. Box 71, Sitra, Manama	info@kavalani.com pradeep@kavalani.com	Tel: 973 17732888 Fax: 973 17737379
		<b>Kuwait</b>	Al Omar Technical Co. P.O. Box 4062, Safat 13041, Kuwait	alexotc@usa.net
	Fawaz Al Zayani Establishment P.O. Box 42426, Shop No.18, Al Hurnaizi Commercial Complex, Khalifa Al Jassim, Shuwaikh		dewaltkuwait@hotmail.com	Tel: 965 24828710 Fax: 965 24828716
Fawaz Al Zayani Establishment Fahaheel Industrial Area, Main St., Sanaya	dewaltkuwait@hotmail.com		Tel: 965 23925830 Fax: 965 24828716	
<b>Oman</b>	Al Jizzi Company LLC P.O. Box 1704, P.C. 112, Ruwi	aljizied@omantel.net.om jizzi10@omantel.net.om	Tel: 968 24832618 / 24835153 Fax: 968 24831334 / 24836460	
	Al Hassan Technical & Construction Supplies Co. LLC P.O. Box 1948, P.C. 112, Ruwi	hamriya.sr@al-hassan.com abrar.h@al-hassan.com	Tel: 968 24810575 / 24837054 Fax: 968 24810287 / 24833080	
	Oman Hardware Co. LLC P.O. Box 635, Ruwi Postal Code 112	omanhard@omantel.net.om	Tel: 968 24815131 Fax: 968 24816491	
	Khimji Ramdas P.O. Box 19, Post Code 100, Ghala, Muscat	bilal.m@khimjiramdas.com	Tel: 968 24595906/ 907 Fax: 968 24852752	
	<b>Qatar</b>	Teyseer Industrial Supplies & Services Co. WLL 55, Al Wakalat St. (Between St. 18 & 19) Salwa Industrial Area, P.O. Box 40523 Doha	manish@tissco-qatar.com tool.service@tissco-qatar.com	Tel: 974 4581536 Fax: 974 4682024
Shaheen Electrical Works & Trading Co. WLL Gate 34, St. 44 Industrial Area P.O. Box 9756, Doha		shaheenelc@gmail.com	Tel: 974 460 02 30 / 460 05 25 Fax: 974 460 13 38	
<b>KSA</b>		Industrial Material Organization (IMO) P.O. Box 623, Rail Street, Riyadh	service@imo.com.sa	Tel: 966-1 4028010 Ext. 26 Tel: 966-1 8001245757 Fax: 966-1 4037970
	Fawaz Ebrahim Al Zayani Trading Est. P.O. Box 76026, Al Raka : 31952	dewaltdammam@hotmail.com	Tel: 966-3 8140914 Fax: 966-3 8140824	
	MSS (Al-Mojil Supply & Services) P.O. Box 450, Jubail 31951	mssjubail@almojilservices.com alex.chang@almojilservices.com	Tel: 966-3 3612850 / 3624487 Tel: 966-3 3621729 Fax: 966-3 3623589 / 3620783	
	Opp-Gulf Bridge Library & Riyadh House			
	EAC (Al Yousef Contg. & Trdg. Est.) P.O. Box 30377, Jeddah -21477	golamkibria77@yahoo.com	Tel: 966-2 6519912 Fax: 966-2 6511153	
	Mohamed Ahmed Bin Aff Est. P.O. Box 530, Yanbu, Al Bahr	binaffyanbu@hotmail.com	Tel: 966-4 3222626 / 3228867 Fax: 966-4 3222210	
	Garziz Trading for Bldg Mat & Decoration P.O. Box 3364, Madina	agarziz@yahoo.com	Tel: 966-4 826 14 90 / 822 76 36 Fax: 966-4 826 57 41	
	Sultan Garment Factory (RSC) P.O. Box 29912, Riyadh 11467	rscservice@digl.net.sa	Tel: 966-1 4055148 / 4042889 Fax: 966-1 4055148	
	Al Bawardi Tools & Hardware P.O. Box 112, Dammam 31411	asattar@albawardi.com nibanez@albawardi.com	Tel: 966-3 8330780 Ext. 24 Tel: 966-3 8348585 Ext. 24 Fax: 966-3 8336303	
	Al Bawardi Tools & Hardware P.O. Box 68, Riyadh 11411	rbaltao@albawardi.com asamad@albawardi.com	Tel: 966-1 4484999 Fax: 966-3 4487877	
	Al Bawardi Tools & Hardware P.O. Box 16905, Jeddah 21474	sharadji@albawardi.com fgaber@albawardi.com	Tel: 966-2 6444547 / 6439035 Tel: 966-2 6456095 Fax: 966-2 6439024	