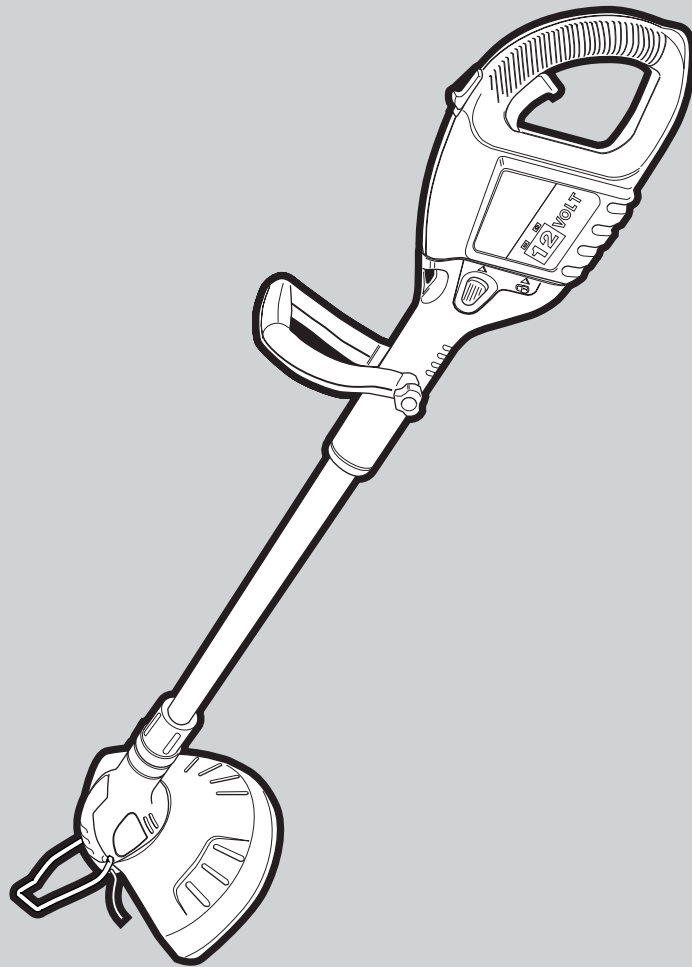




 **BLACK &
DECKER**®



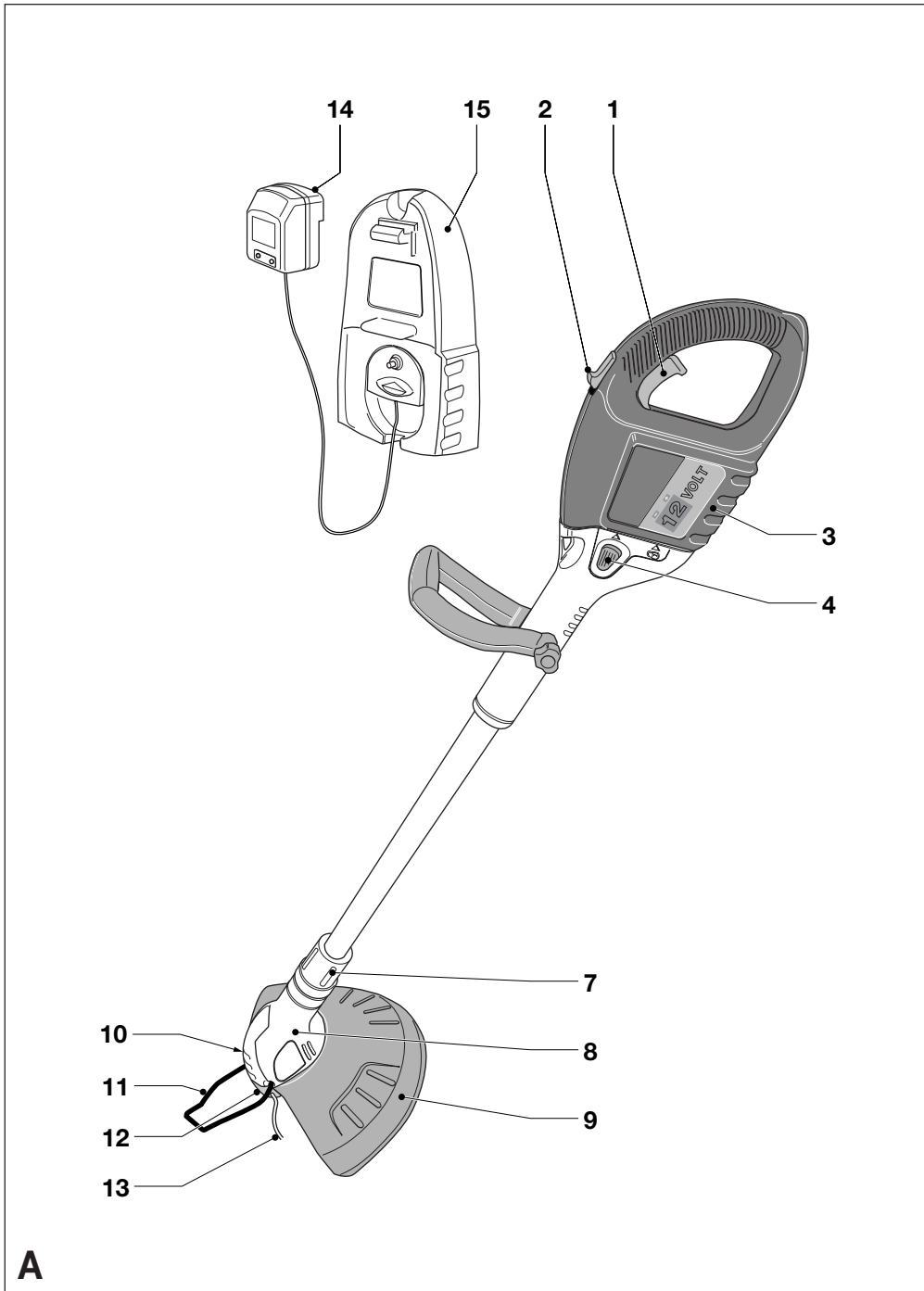
GLC2000

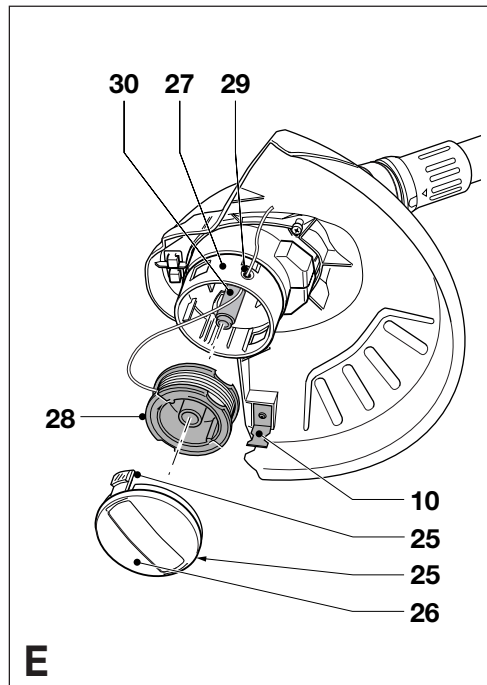
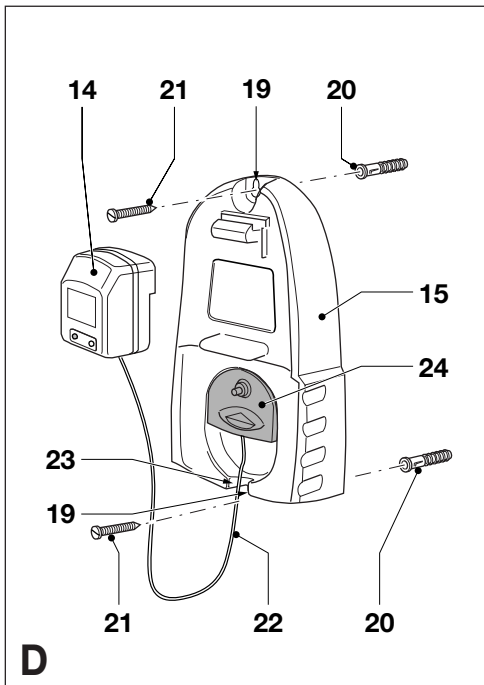
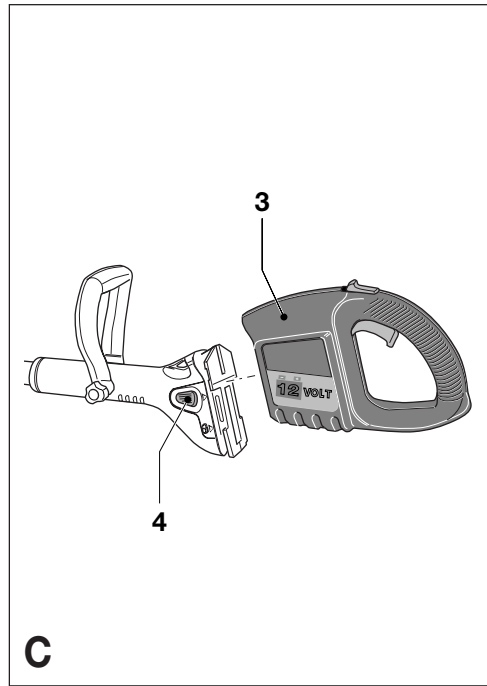
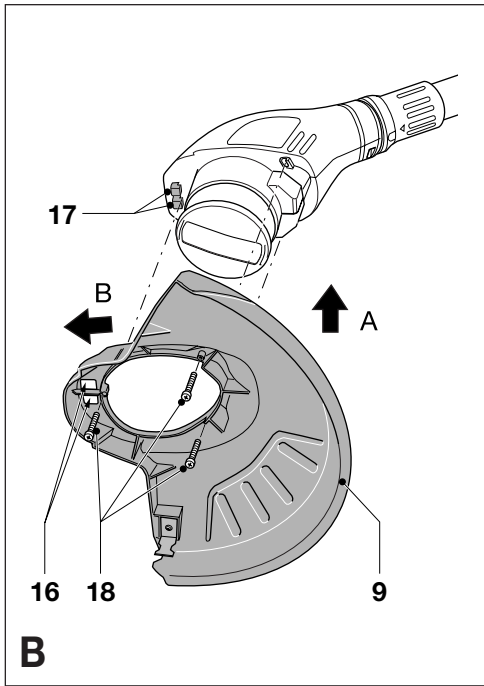


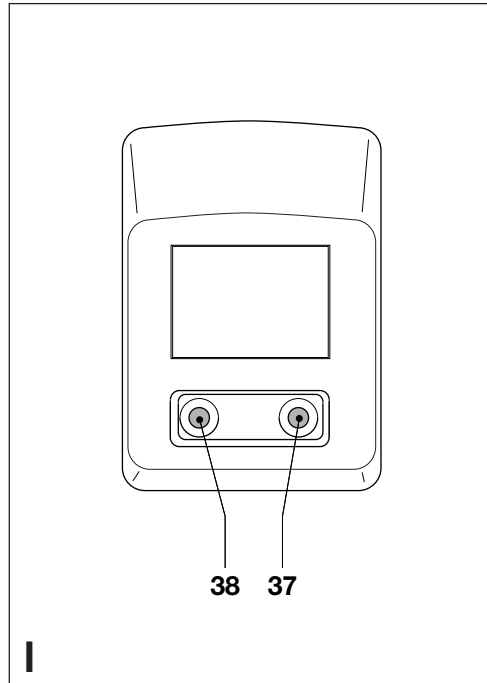
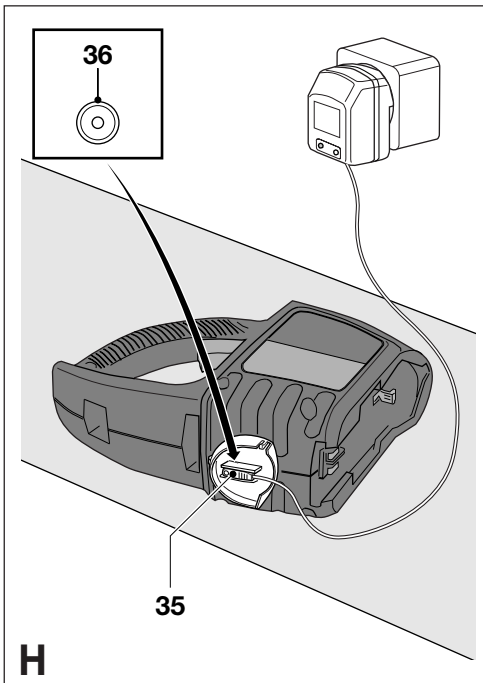
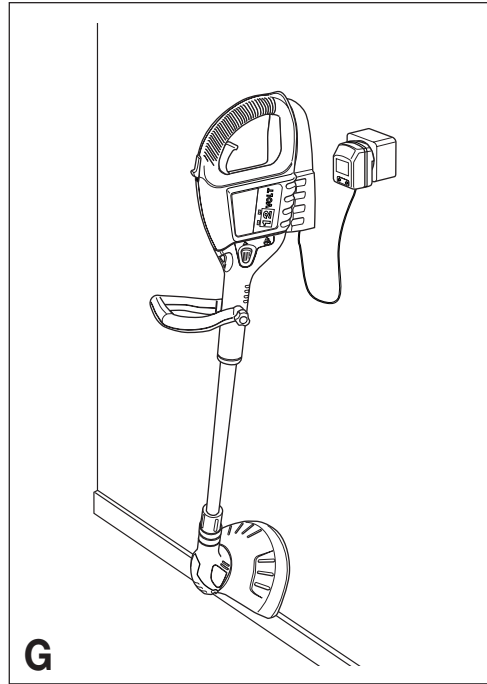
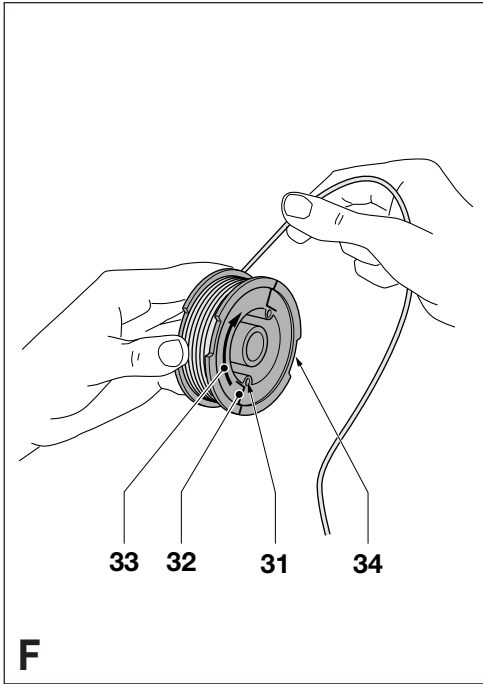
 **BLACK &
DECKER**

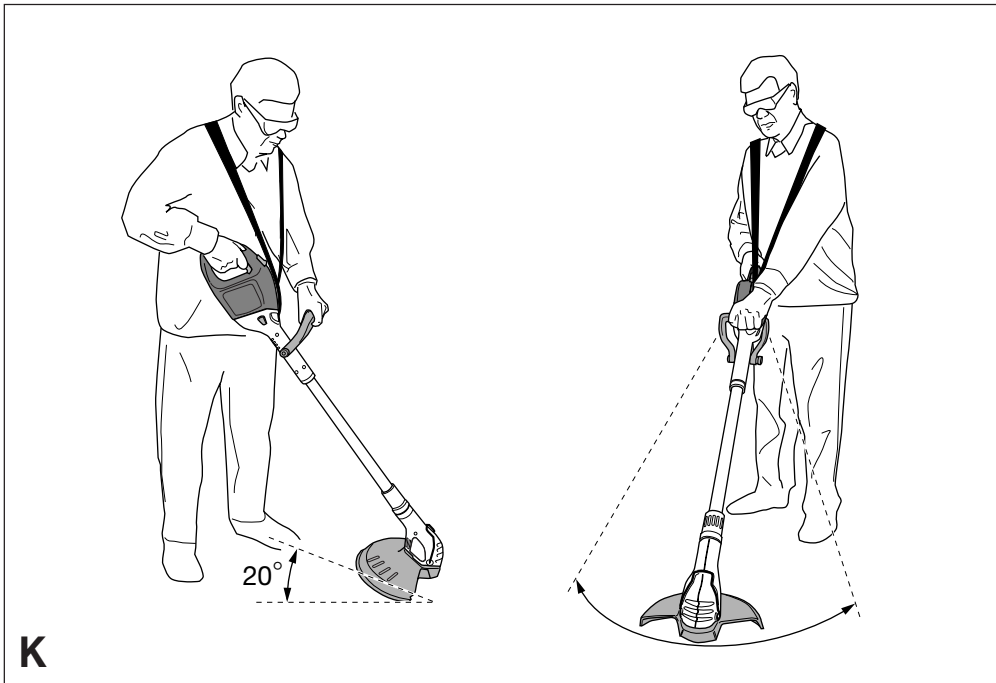
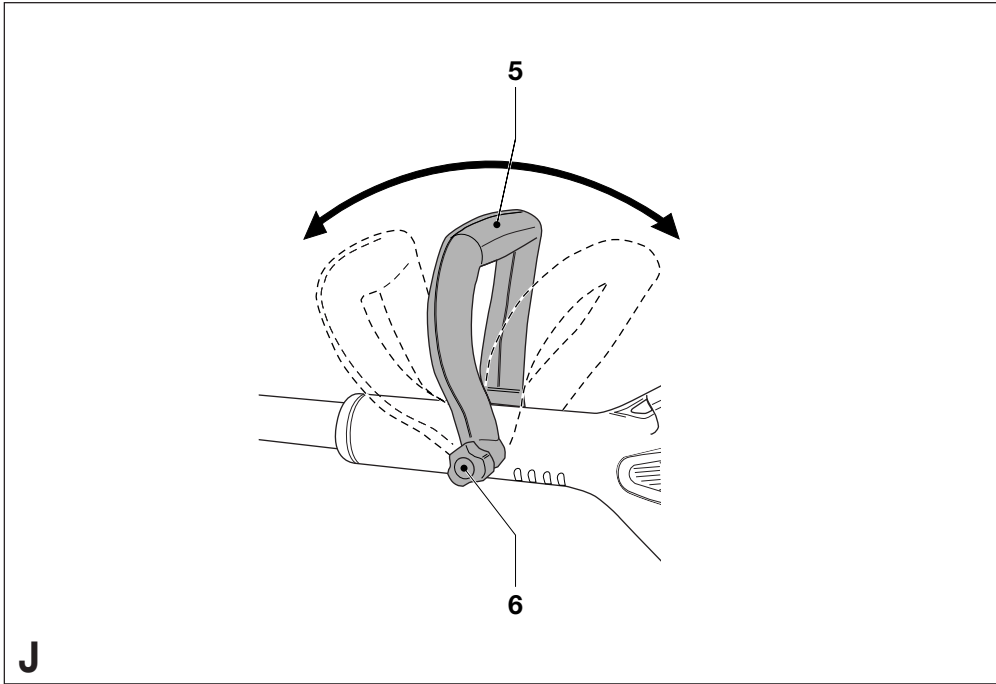
Copyright Black & Decker

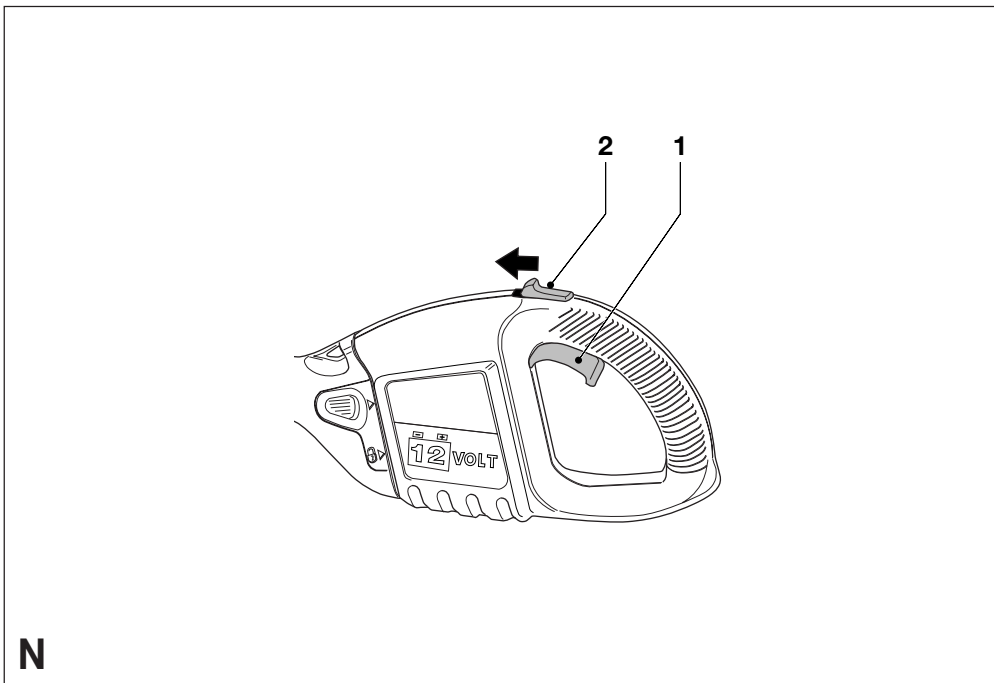
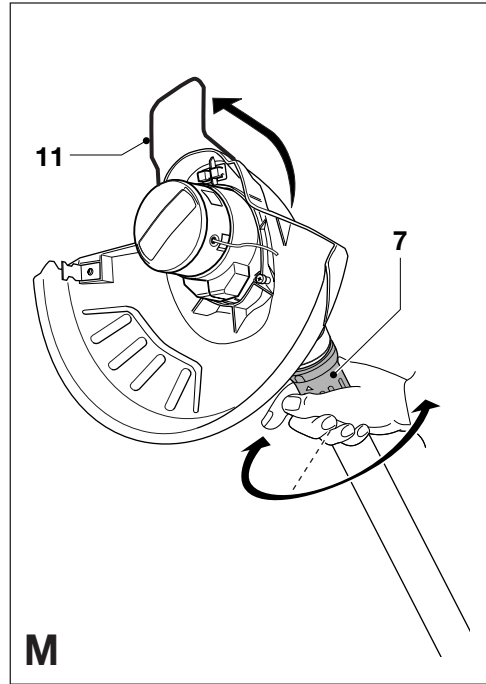














ENGLISH

STRIMMER - CORDLESS GRASS TRIMMER GLC2000

CONGRATULATIONS!

You have chosen a Black & Decker tool. Our aim is to provide quality tools at an affordable price. We hope that you will enjoy using this tool for many years.

EC DECLARATION OF CONFORMITY



GLC2000
Black & Decker declares that these tools conform to: 98/37/EC, 89/336/EEC, 73/23/EEC, EN 60335, EN 786, EN 50260, EN 55014, EN 61000

Level of sound pressure, measured according to EN 50260:

			GLC2000
L_{pA}	(sound pressure)	dB(A)	69.8
L_{WA}	(acoustic power)	dB(A)	96



Always wear ear protection if the sound pressure exceeds 85 dB(A).

Hand/arm weighted vibration value according to EN 50260:

		GLC2000
		2.7 m/s ²

Brian Cooke
Director of Engineering
Spennymoor, County Durham DL16 6JG,
United Kingdom

INTENDED USE

Your Black & Decker strimmer GLC2000 has been designed for trimming and finishing lawn edges and to cut grass in confined spaces. This tool is intended for consumer use only.

Your Black & Decker charger has been designed for charging Black & Decker batteries of the type supplied with this tool.

SAFETY INSTRUCTIONS

Warning symbols

The following symbols are used in this manual:



Denotes risk of personal injury, loss of life or damage to the tool in case of non-observance of the instructions in this manual.



Denotes risk of electric shock.



Read the manual prior to operation.



Fire hazard.

Know your tool



- ◆ **Warning!** When using battery-powered tools, basic safety precautions, including the following, should always be followed to reduce the risk of fire, leaking batteries, personal injury and material damage.
- ◆ For your own safety and that of bystanders, read all of this manual carefully before operating the tool.
- ◆ Before operating the tool, make sure that you know how to switch the tool off in an emergency.
- ◆ Retain this manual for future reference.



ENGLISH

General

1. Consider work area environment

Do not expose the tool to rain. Do not use the tool in damp or wet conditions. Keep the work area well lit. Do not use the tool where there is a risk of causing fire or explosion, i.e. in the presence of flammable liquids and gases. Keep the work area free from debris and obstacles.

2. Keep children away

Do not allow children, visitors or animals to come near the work area or to touch the tool.

3. Dress properly

Do not wear loose clothing or jewellery, as these can be caught in moving parts. Preferably wear rubber gloves and non-slip footwear when working outdoors. Wear protective hair covering to keep long hair out of the way.

4. Personal protection

Always use safety glasses. Use a face or dust mask whenever the operations may produce dust or flying particles. Wear ear protection whenever the sound level seems uncomfortable.

5. Do not overreach

Keep proper footing and balance at all times.

6. Stay alert

Watch what you are doing. Use common sense. Do not operate the tool when you are tired.

7. Secure workpiece

Use clamps or a vice to hold the workpiece. It is safer and it frees both hands to operate the tool.

8. Remove keys and adjusting wrenches

Always check that keys and adjusting wrenches are removed from the tool before operating the tool.

9. Use appropriate tool

The intended use is described in this instruction manual. Do not force small tools or attachments to do the job of a heavy-duty tool. The tool will do the job better and safer at the rate for which it was intended. Do not force the tool.

Warning! The use of any accessory or attachment or performance of any operation with this tool other than those recommended in this instruction manual may present a risk of personal injury.

10. Check for damaged parts

Before use, carefully check the tool for damage. Check for misalignment and seizure of moving parts, breakage of parts, damage to guards and switches and any other conditions that may affect its operation. Ensure that the tool will operate properly and perform its intended function. Do not use the tool if any part is damaged or defective. Have any damaged or defective parts repaired or replaced by an authorised repair agent. Never attempt any repairs yourself.

11. Remove the battery

Where the design permits, remove the battery when the tool is not in use, before changing any parts of the tool, accessories or attachments and before servicing.

12. Avoid unintentional starting

Do not carry the tool with a finger on the on/off switch. Be sure that the tool is switched off when inserting the battery into the tool.

13. Do not abuse cord

Never carry the charger by its cord or pull it to disconnect from the socket. Keep the cord away from heat, oil and sharp edges.

14. Store idle tools

When not in use, tools, batteries and chargers should be stored in a dry, locked up or high place, out of reach of children.

15. Maintain tools with care

Keep cutting tools sharp and clean for better and safer performance. Follow the instructions for maintenance and changing accessories. Keep handles and switches dry, clean and free from oil and grease.

16. Repairs

This tool complies with relevant safety requirements. Repairs should only be carried out by qualified persons using original spare parts; otherwise this may result in considerable danger to the user.

Additional safety instructions for batteries and chargers

Batteries

- ◆ Never attempt to open for any reason.
- ◆ Do not expose to water.



ENGLISH

- ◆ Do not store in locations where the temperature may exceed 40 °C.
- ◆ Charge only at ambient temperatures between 4 °C and 40 °C.
- ◆ Charge only in a dry, well ventilated area.
- ◆ Charge only using the charger provided with the tool.
- ◆ Do not attempt to charge damaged batteries.
- ◆ Before charging, make sure that the battery is dry and clean.
- ◆ Use only the correct type of battery for the tool.
- ◆ When disposing of batteries, follow the instructions given in the section "Protecting the environment".



The battery contains diluted sulphuric acid which can be harmful. Sulphuric acid on the skin will cause burns and if in contact with the eyes may cause loss of sight.

- ◆ In case of skin contact, flush immediately with water. Neutralize with a mild alkaline solution such as milk or bicarbonate of soda.
- ◆ In case of eye contact, rinse abundantly with clean water for at least 10 minutes. Seek medical attention.



Fire hazard! Avoid short-circuiting the contacts of a detached battery (e.g. when storing the battery in a toolbox).



Do not incinerate the battery.

Chargers

- ◆ Use your Black & Decker charger only to charge batteries of the type supplied with your tool. Other batteries could burst, causing personal injury and damage.
- ◆ Have defective cords replaced immediately.
- ◆ Do not expose to water.
- ◆ Do not open the charger.
- ◆ Do not probe the charger.

The following symbol is found on the charger:



Intended for indoor use only.

Additional safety instructions for grass trimmers

The following warning symbols are found on the tool:



Wear safety glasses or goggles when operating this tool.



The cutting line will continue to run for a few seconds after switching the tool off. Never attempt to force the line to come to a standstill.



Keep people and animals at least 6 m away from the cutting area.



Do not expose the tool to rain or high humidity.

- ◆ Wear stout shoes or boots to protect your feet.
- ◆ Wear long trousers to protect your legs.
- ◆ Before using the tool, check that your cutting path is free from sticks, stones, wire and any other obstacles.
- ◆ Only use the tool in the upright position, with the cutting line near the ground. Never switch the tool on in any other position.
- ◆ Move slowly when using the tool. Be aware that freshly cut grass is damp and slippery.
- ◆ Do not work on steep slopes. Work across the face of slopes, not up and down.
- ◆ Never cross gravel paths or roads while the tool is running.
- ◆ Never touch the cutting line while the tool is running.
- ◆ Do not put the tool down until the cutting line has come to a complete standstill.
- ◆ Use only the appropriate type of cutting line. Never use metal cutting line or fishing line.
- ◆ Be careful not to touch the line trimming blade.



ENGLISH

ELECTRICAL SAFETY

Your charger has been designed for a specific mains voltage. Always check that the mains voltage corresponds to the voltage on the rating plate.



Your charger is double insulated in accordance with EN 60335; therefore no earth wire is required.



Never attempt to replace the charger unit with a regular mains plug.

CARTON CONTENTS

The carton contains:

- 1 Cordless grass trimmer
- 1 Lead-acid battery
- 1 Charger
- 1 Guard with mounting screws
- 1 Wall mount
- 2 Mounting screws
- 2 Wall plugs
- 1 Instruction manual

- ◆ Carefully unpack all parts.

OVERVIEW (FIG. A)

1. On/off switch
2. Lock-off button
3. Battery
4. Battery release buttons
5. Secondary handle
6. Handle knob
7. Collar
8. Motor housing
9. Guard
10. Line trimming blade
11. Edge guide
12. Spool
13. Cutting line
14. Charger
15. Wall mount

ASSEMBLY



Before assembly, remove the battery from the tool.

Fitting the guard (fig. B)

- ◆ Remove the battery from the tool.
- ◆ Place the guard (9) onto the tool as shown, aligning the holes (16) in the guard with the lugs (17) on the tool.
- ◆ Press the guard until it snaps into place (A).
- ◆ Push the guard forward (B).
- ◆ Securely tighten the screws (18).



Never use the tool unless the guard is properly fitted.

Fitting and removing the battery (fig. C)

- ◆ To fit the battery (3) to the tool, line it up with the tool as shown, set it onto the tool and slide it down until it snaps into place.
- ◆ To remove the battery from the tool, keep the battery release buttons (4) depressed and slide the battery up.

Mounting the wall mount to the wall (fig. D)

The wall mount (15) is used to provide a convenient storage and charging point for the tool.

- ◆ Find a suitable indoor location for the wall mount. If you also want to charge the battery on the wall mount, this location must be dry and well ventilated.
- ◆ Position the wall mount as shown and mark the location of the two mounting holes (19) on the wall. Make sure that there is sufficient space to hang the tool on the wall mount.
- ◆ Drill a hole (ø 6 mm, approx. 35 mm deep) at each of the marked locations.
- ◆ Insert the plugs (20) provided into the holes.
- ◆ Mount the wall mount to the wall using the screws (21) provided.
- ◆ If you want to use the wall mount location for charging the battery:
 - Guide the cable (22) through the slot (23) as shown.
 - Plug the charger (14) into a mains outlet.
- ◆ If you do not want to use the wall mount location for charging the battery, remove the charging insert (24) from the wall mount.

Fitting a new spool of cutting line (fig. E)

Replacement spools of cutting line are available from your Black & Decker dealer (cat. no. A6481).



ENGLISH

- ◆ Remove the battery from the tool.
- ◆ Keep the tabs (25) depressed and remove the spool cover (26) from the housing (27).
- ◆ Remove the empty spool (28) from the housing.
- ◆ Remove any dirt and grass from the housing.
- ◆ Take the new spool and unwind approx. 12 cm of cutting line.
- ◆ Feed the cutting line through the eyelet (29).
- ◆ Push the spool onto the drive shaft (30) and rotate it slightly until it is seated. Make sure that the cutting line is not trapped under the spool and that 10-12 cm of cutting line protrudes from the housing.
- ◆ Align the tabs on the spool cover with the holes in the housing.
- ◆ Push the cover onto the housing until it snaps securely into place.



If the cutting line protrudes beyond the trimming blade (10), cut it off so that it just reaches the blade.

Winding new line onto an empty spool (fig. F)

You may wind new cutting line onto an empty spool. Replacement packs of cutting line are available from your Black & Decker dealer (cat. no. A6170 (25 m), A6171 (40 m)).

- ◆ Remove the empty spool from the tool as described above.
- ◆ Remove any old cutting line from the spool.
- ◆ Feed 2 cm of cutting line into one of the holes (31) in the spool as shown.
- ◆ Bend the cutting line and anchor it in the L-shaped slot (32).
- ◆ Wind the cutting line onto the spool in the direction of the arrow (33). Make sure to wind the line on neatly and in layers. Do not criss-cross.
- ◆ When the wound cutting line reaches the recesses (34), cut the line. Let the line protrude approx. 12 cm from the spool and hold a finger on the line to keep it in place.
- ◆ Proceed as described above to fit the spool on the tool.



Only use the appropriate type of Black & Decker cutting line.

USE



Let the tool work at its own pace. Do not overload.

Charging the battery (fig. D, G, H & I)

The battery needs to be charged before first use and whenever it fails to produce sufficient power on jobs that were easily done before. To maximise the lifetime of the battery, it is recommended to keep the battery connected to the charger whenever the tool is not in use. When the battery is full, the power consumption of the charger is negligible.



Do not charge the battery at ambient temperatures below 4 °C or above 40 °C. Recommended charging temperature: approx. 24 °C.

- ◆ To charge the battery while on the tool:
 - Make sure the charging insert (24) is fitted in the wall mount (15) (fig. D).
 - Hang the tool on the wall mount as shown (fig. G).
- ◆ To charge the battery when removed from the tool:
 - Insert the plug (35) into the connector (36) on the battery.
 - Place the battery on a flat and level surface as shown.



Make sure that the plug and cable are not trapped under the battery.

Charging process (fig. I)

- ◆ Plug the charger into a mains outlet. While the battery is being charged, the red indicator light (37) on the charger will be lit. When charging is complete, the red indicator light will stop lighting and the green indicator light (38) will be lit. The battery can be left connected to the charger indefinitely.
- ◆ When you want to use the tool, disconnect the battery and unplug the charger.





ENGLISH

Adjusting the position of the secondary handle (fig. A & J)

The secondary handle can be adjusted to provide optimum balance and comfort.

- ◆ Let the guard (9) rest on the ground.
- ◆ Slacken the handle knob (6).
- ◆ Move the handle (5) into the desired position.
- ◆ Securely tighten the handle knob.

Setting the tool to trimming or edging mode (fig. K, L & M)

The tool can be used in trimming mode as shown in fig. K or in edging mode to trim overhanging grass along lawn edges and flower beds as shown in fig. L.

Trimming mode (fig. K & M)

For trimming, the trimmer head should be in the position shown in fig. K. If it is not:

- ◆ While holding the secondary handle with one hand, take the collar (7) in the other hand as shown (fig. M).
- ◆ Push the collar in the direction of the trimmer head and rotate it counterclockwise until the trimmer head engages in the trimming position.
- ◆ Release the collar.
- ◆ Set the edge guide (11) to the retracted position.

Edging mode (fig. L & M)

For edging, the trimmer head should be in the position shown in fig. L. If it is not:

- ◆ While holding the secondary handle with one hand, take the collar (7) in the other hand as shown.
- ◆ Push the collar in the direction of the trimmer head and rotate it clockwise until the trimmer head engages in the edging position.
- ◆ Release the collar.
- ◆ Set the edge guide (11) to the forward position.

Switching on and off (fig. N)

For your safety, this tool is equipped with a double switching system. This system prevents starting the tool inadvertently.

Switching on

- ◆ Push the lock-off button (2) forward using your thumb and at the same time squeeze the on/off switch (1).
- ◆ Release the lock-off button.

Switching off

- ◆ Release the on/off switch (1).



Never attempt to lock a switch in the on position.

Hints for optimum use

Trimming

- ◆ Hold the tool as shown in fig. K.
- ◆ Gently swing the trimmer from side to side as shown in fig. K.
- ◆ When cutting long grass, work in stages from the top.
- ◆ Keep the tool away from hard objects and delicate plants.
- ◆ If the tool starts running slowly, reduce the load.

Edging

Optimum cutting results are achieved on edges deeper than 50 mm.

- ◆ Do not use the tool to create edges. To create edges, use an edging spade.
- ◆ Guide the tool as shown in fig. L. Keep the edge guide against the lawn edge.
- ◆ To make a closer cut, slightly tilt the tool.

General

- ◆ In order to achieve optimum cutting results, only cut dry grass.
- ◆ If possible, keep the battery connected to the charger and the charger plugged in whenever the tool is not in use.

MAINTENANCE

Your Black & Decker tool has been designed to operate over a long period of time with a minimum of maintenance. Continuous satisfactory operation depends upon proper tool care and regular cleaning.

Your charger does not require any maintenance apart from regular cleaning.



ENGLISH



- ◆ Before performing any maintenance on the tool, remove the battery from the tool.
- ◆ Unplug the charger before cleaning it.
- ◆ Regularly clean the cutting line and spool using a soft brush or dry cloth.
- ◆ Regularly use a blunt scraper to remove grass and dirt from the underneath of the guard.
- ◆ Regularly clean the ventilation slots in your tool using a soft brush or dry cloth.
- ◆ Regularly clean the motor housing using a damp cloth. Do not use any abrasive or solvent-based cleaner.

Storage

When the tool will not be used for several months, ideally leave the battery connected to the charger.

Otherwise proceed as follows:

- ◆ Fully charge the battery.
- ◆ Remove the battery from the tool.
- ◆ Store the tool and battery in a secure and dry location. The storage temperature must always remain in the range of +5 °C to +40 °C. Place the battery on a level surface.
- ◆ Before using the tool after prolonged storage, fully charge the battery again.

TROUBLESHOOTING

If your tool seems not to operate properly, follow the instructions below. If this does not solve the problem, please contact your local Black & Decker repair agent.



Before proceeding, remove the battery from the tool.

Tool runs slowly

- ◆ Check that the spool housing can rotate freely. Carefully clean it if necessary.
- ◆ Check that the cutting line does not protrude more than 10-12 cm from the spool housing. If it does, cut it off so that it just reaches the line trimming blade.
- ◆ Connect the battery to the charger and plug the charger in. Wait until the green indicator light lights up to ensure that the battery is fully charged.

Automatic line feed does not work

- ◆ Keep the tabs depressed and remove the spool cover from the spool.
- ◆ Lift the spool approx. 6 mm and pull the cutting line until it protrudes 10-12 cm from the housing. If insufficient cutting line is left on the spool, install a new spool of cutting line as instructed above.
- ◆ Push the spool back into place and rotate it slightly until it is seated.
- ◆ Align the tabs on the spool cover with the holes in the housing.
- ◆ Push the cover onto the housing until it snaps securely into place.
- ◆ If the cutting line protrudes beyond the trimming blade, cut it off so that it just reaches the blade.

If the automatic line feed still does not work, try the following suggestions:

- ◆ Carefully clean the spool housing.
- ◆ Remove the spool and check if the lever can move freely.
- ◆ Remove the spool and unwind the cutting line, then wind it on neatly again as described above. Replace the spool as instructed.

Spool is jammed

- ◆ Keep the tabs depressed and remove the spool cover from the spool.
- ◆ Carefully clean the spool housing.
- ◆ Push the cover onto the housing until it snaps securely into place.

PROTECTING THE ENVIRONMENT

Tools



Should you find one day that your tool needs replacement, or if it is of no further use to you, think of the protection of the environment. Black & Decker repair agents will accept old Black & Decker tools and ensure that they are disposed of in an environmentally safe way.



ENGLISH

Batteries



Black & Decker batteries can be recharged many times. At the end of their useful life, discard batteries with due care for our environment:

- ◆ Run the battery down completely, then remove it from the tool.
- ◆ Batteries are recyclable. Take them to your service agent or a local recycling station. Collected batteries will be recycled or disposed of properly.

Technical data

		GLC2000
Voltage	V _{DC}	12
No-load speed	min ⁻¹	6,800
Cutting line length	m	10
Weight	kg	4.4

Battery

Voltage	V _{DC}	12
Capacity	Ah	5
Weight	kg	2.3

Charger

Input voltage	V _{AC}	230
Approx. charging time	h	16

GUARANTEE

The Black & Decker lawn and garden guarantee provides: 36 months parts and 12 months labour cover in the UK, 24 months parts and labour cover in South Africa, Australia and New Zealand. Proof of purchase will be required.

Should your Black & Decker product become defective within the guarantee period due to faulty materials or workmanship, we guarantee to either replace all defective parts or -at our discretion- to replace the unit free of charge, provided that:

- ◆ The product is returned to us or one of our authorised repair agents with proof of purchase.
- ◆ The product has been used within the parameters of its consumer classification.
- ◆ The product has not been used for hire purposes.

- ◆ Repairs have not been attempted by anyone other than our authorised repair agents.
- ◆ The failure represents normal wear and tear. This guarantee is offered as an extra benefit and does not affect your statutory rights.

The guarantee policy

The following failures are not covered by the above guarantee:

- ◆ Replacing worn or damaged blades, nylon lines, chains and power cables. These items are regarded as replacement items which wear during normal usage.
- ◆ Failures as a result of sudden impact or obvious abuse.
- ◆ Failures due to usage not in accordance with instructions and recommendations contained in this manual.

The use of other than genuine Black & Decker accessories and parts may cause decreased performance or damage to the product and will render the guarantee void.

AFTER SALES SERVICE

Full details on our after-sales service are available on the Internet at www.2helpU.com. Alternatively, contact our Service and Information Centre at the address towards the back of this manual.

It is our aim that all Black & Decker customers should be totally satisfied with their Black & Decker product and our after sales service. If any help or advice is needed, please contact your local Black & Decker repair agent.

If your product needs repair, please take or send it to an authorised repair agent, providing proof of purchase if claiming a guarantee repair. Black & Decker offers a nationwide network of authorised repair agents.

Full details on our after sales service can be obtained from any of our authorised repair agents.



ENGLISH

OTHER OUTDOOR TOOLS

Black & Decker has a full range of outdoor power tools that make life in the garden easy. If you would like further information on the following products, please contact our Service and Information Centre (see the address page towards the end of this manual) or your local Black & Decker retailer.

String trimmers	Lawnmowers
Chainsaws	Lawnrakers
Cordless shear	Leafbusters
Hedgetrimmers	Shredders

Not all products are available in all countries.

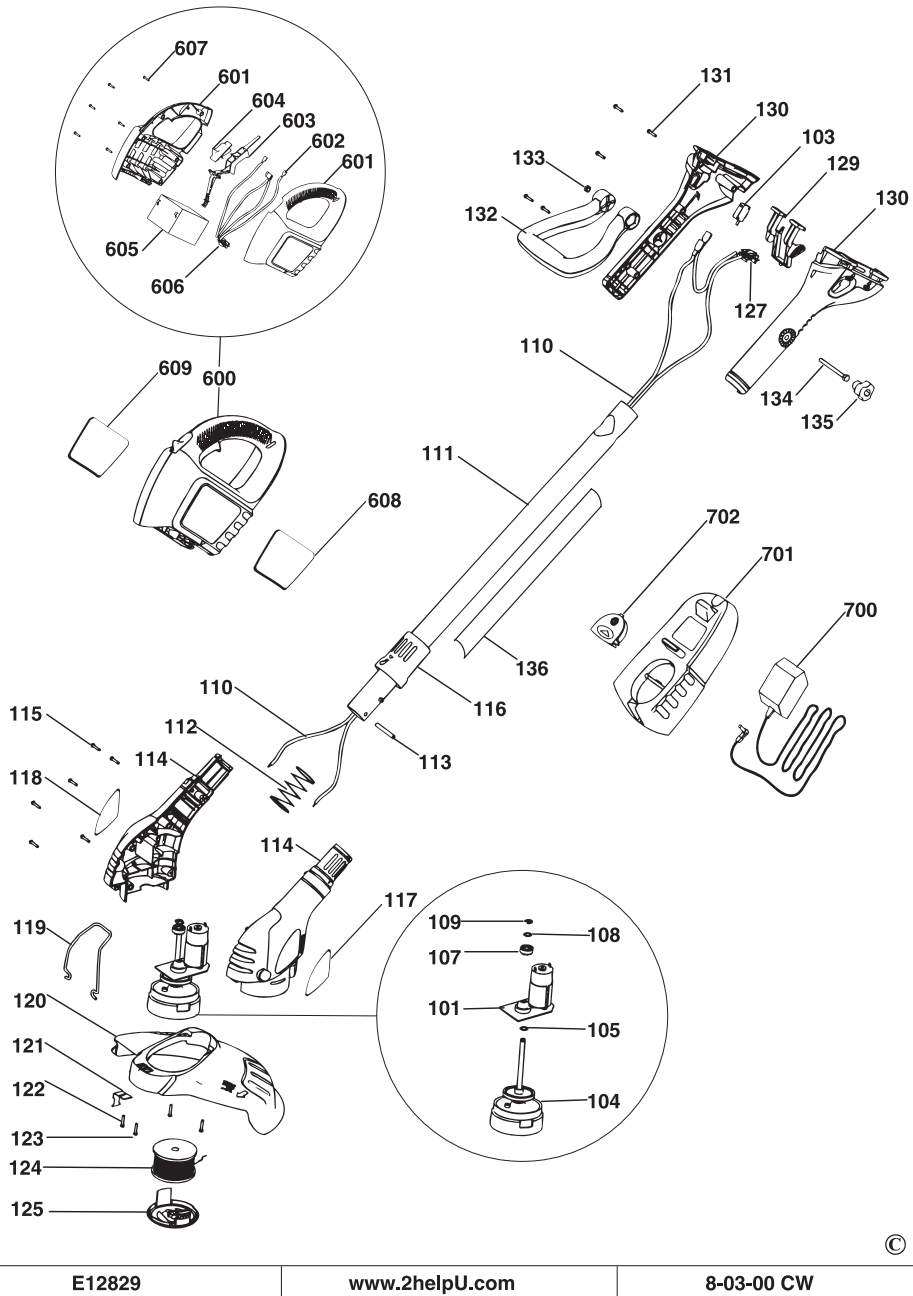




BLACK & DECKER

GLC2000

TYP.
H1





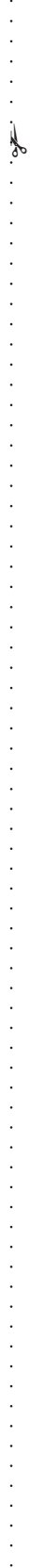
Australia	DeWALT Industrial Power Tool Company 7 Clarice Road Box Hill, Victoria 3128	Tel. 03 9895 9200 Fax 03 9899 7465
<hr/>		
New Zealand	Black & Decker 81 Hugo Johnson Drive Penrose, Auckland, New Zealand	Tel. 09 579 7600 Fax 09 579 8200
<hr/>		
South Africa	Black & Decker South Africa (Pty) Ltd Physical address: 146 Lechwe Street Corporate park Randjiesfontein, Midrand Postal address: Postnet Suite 107, Private Bag X65 Halfway House 1685	Tel. (011) 653-1400 Fax (011) 653-1499
<hr/>		
United Kingdom	Black & Decker 210 Bath Road Slough, Berkshire SL1 3YD Guarantee card return address: PO Box 821, Slough Berkshire SL1 3AR	Tel. 01753 511234 Fax 01753 551155 Helpline 01753 574277





Dealer address

Date of purchase



Name:

Address:

Town:

Postal code:

Was this tool bought as a replacement?

Yes No

Was this tool a gift?

Yes No

Dealer address:

Was this tool your first purchase?

Yes No

Data protection act:
Tick the box if you prefer not to receive further information.





GUARANTEE CARD



Please complete this section immediately after the purchase of your tool and send it to Black & Decker in your country. If you live in Australia or New Zealand, please register by using the alternative guarantee card supplied.

