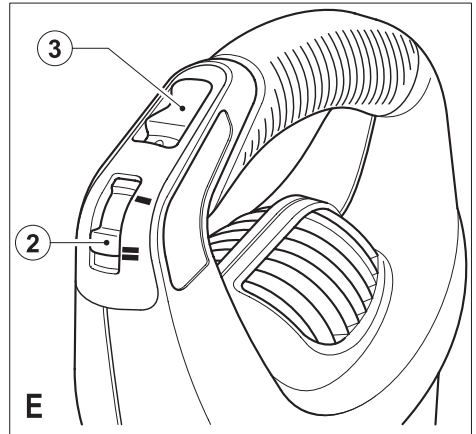
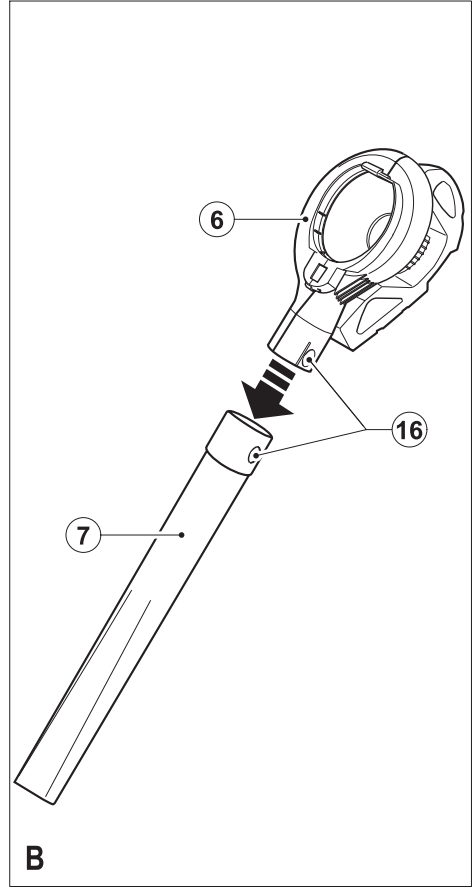
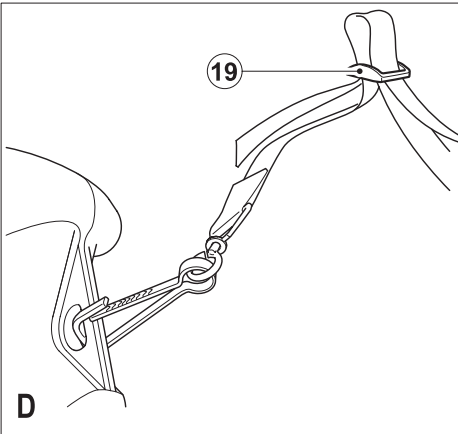
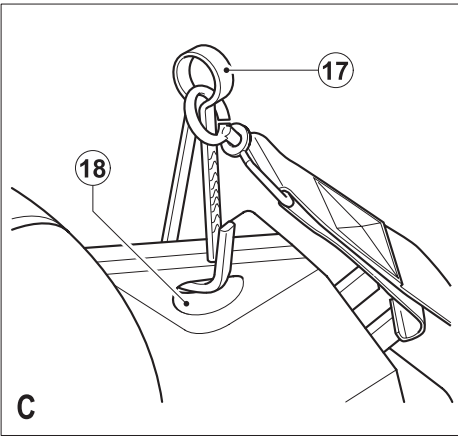
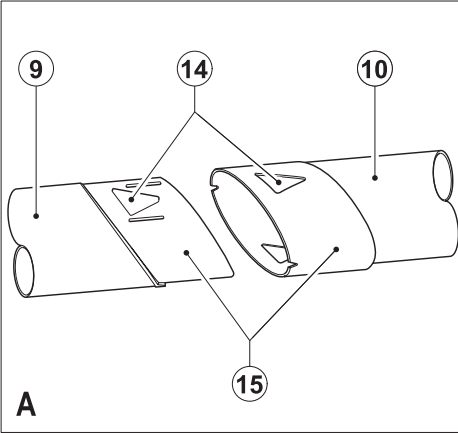


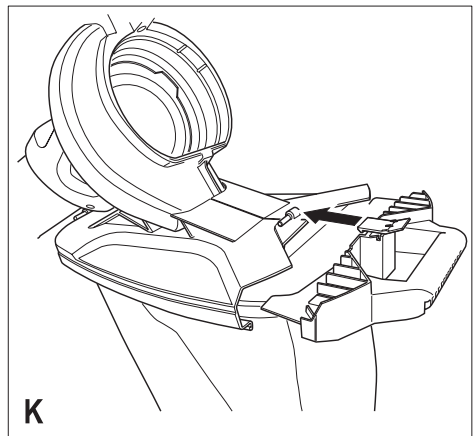
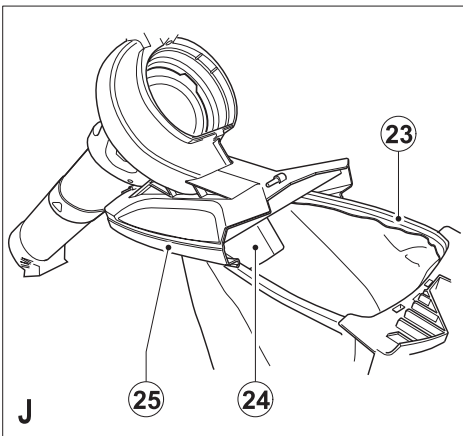
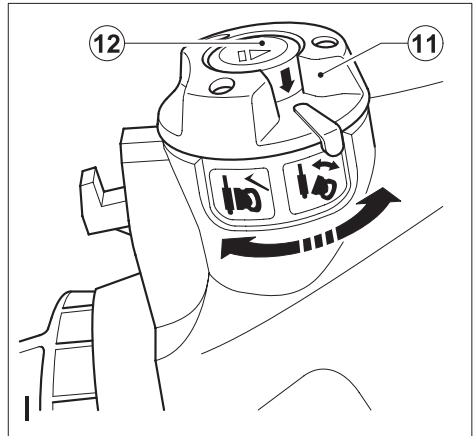
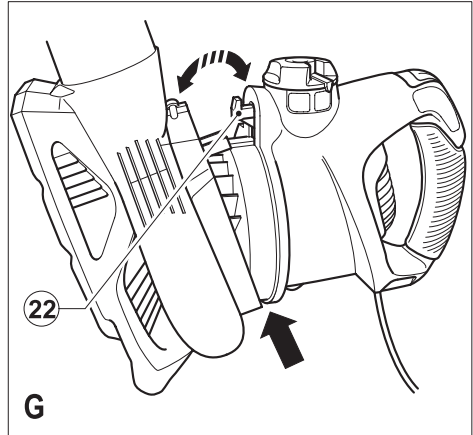
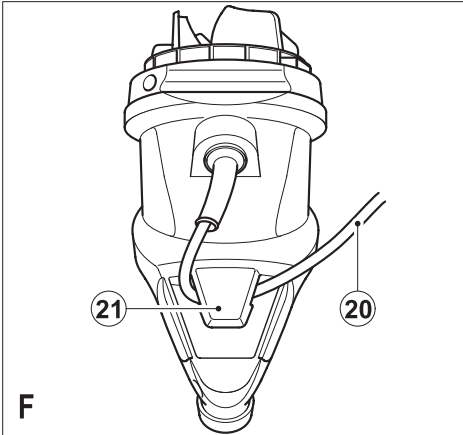
UK

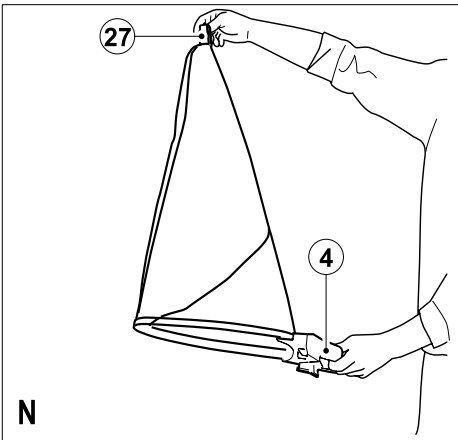
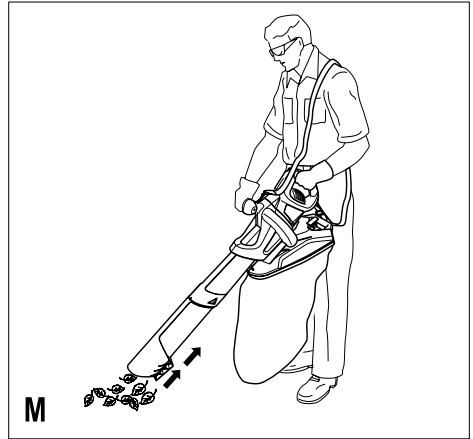
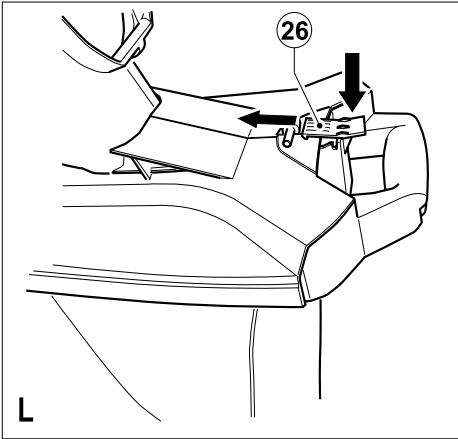
Ireland

Australia

New Zealand







Intended use

Your Black & Decker blower vac has been designed for leaf clearing. This tool is intended for consumer and outdoor use only.

Safety instructions

Warning! When using mains-powered appliances, basic safety precautions, including the following, should always be followed to reduce the risk of fire, electric shock and personal injury.

- ◆ Read all of this manual carefully before operating the appliance.
- ◆ Before operating the appliance, make sure that you know how to switch it off in an emergency.
- ◆ Retain this manual for future reference.

Training

- ◆ Read the instructions carefully. Be familiar with the controls and the proper use of the appliance.
- ◆ Do not allow children or any person unfamiliar with these instructions to operate the appliance. Local regulations may restrict the age of the operator.
- ◆ Never use the appliance while people, especially children, or pets are nearby.
- ◆ Remember that the operator will be held responsible for accidents or hazards occurring to other people or their property.

Preparation

- ◆ Do not operate your product barefoot or in open sandals.
- ◆ To protect your feet and legs, always wear stout shoes or boots and long trousers - freshly cut grass is damp and slippery. Rubber or man made footwear will enhance your safety.
- ◆ Use protective equipment. Wear safety spectacles or goggles whilst operating your product.
- ◆ To prevent dust irritation the wearing of a suitable face mask is recommended.
- ◆ Use ear protection if the sound level seems uncomfortable when using your product.

Warning! Secure long hair so it is above shoulder length. Keep loose clothing, ties, tassels and hanging straps away from openings and moving parts.

- ◆ The power supply cable should be regularly inspected for signs of damage or ageing, and only used in good condition.
- ◆ Always be sure your product is in a safe operating condition and all parts are secure before use.
- ◆ Do not operate the product if any parts are defective or worn.

- ◆ Do not pick up burning materials such as lit cigarette butts.
- ◆ Do not operate the blower/vacuum in a gaseous or explosive atmosphere as motors in these tools normally spark and this may ignite fumes.

Operation

- ◆ Do not use in vacuum mode without the vacuum tubes and collection bag in place.
- ◆ Always switch off your product, allow the fan to stop and remove the plug from the socket when:
 - Changing from blower to vacuum.
 - The supply cable has become damaged or entangled.
 - You leave your product unattended.
 - Clearing a blockage.
 - Checking, adjusting, cleaning or working on your product.
 - If the appliance starts to vibrate abnormally.
- ◆ Do not place the inlet or outlet of the vacuum near eyes or ears when operating. Never blow debris in the direction of bystanders.
- ◆ Do not use in the rain or leave outdoors while it is raining.
- ◆ Use your product only in daylight or good artificial light.
- ◆ Do not cross gravel paths or roads whilst your product is switched on during blow/vac mode. Walk, never run.
- ◆ Do not place your unit down on gravel while it is switched on.
- ◆ Always be sure of your footing, particularly on slopes. Do not overreach and keep your balance at all times.
- ◆ Do not pick up matter that may be contaminated with flammable or combustible liquids such as gasoline, or use in areas where they might be present.
- ◆ Do not place any objects into the openings. Never use if the openings are blocked - keep free of hair, lint, dust and anything that may reduce the airflow.

Warning! Always use your product in the manner outlined in this manual. Your product is designed to be used in an upright mode and if it is used in any other way it may result in injury. Never run your product whilst lying on it's side or upside down.

- ◆ Do not carry the appliance by the cable.
- ◆ Always direct the cable to the rear away from the appliance.

Warning! If a cord becomes damaged during use, disconnect the supply cord from the mains supply immediately. **Do not touch the supply cord before disconnecting the supply.**

Maintenance and storage

- ◆ Before use, check the appliance for damaged or defective parts. Never operate the appliance with defective guards or shields, or without safety devices, for example debris collector in place. Check for misalignment and seizure of moving parts, breakage of parts, damage to guards and switches and any other conditions that may affect its operation.
- ◆ Ensure that the appliance will operate properly and perform its intended function. Never use the appliance when any guard or enclosure is damaged or not in place.
- ◆ Do not use the appliance if any part is damaged or defective. Do not use the appliance if the switch does not turn it on and off.
- ◆ Have any damaged or defective parts repaired or replaced by an authorised repair agent.
- ◆ Check the cable frequently for damage. If the cable is damaged, it must be replaced by an authorised repair agent in order to prevent a hazard. Inspect extension cables periodically. Replace a damaged extension cable immediately.
- ◆ Do not use solvents or cleaning fluids to clean your product - use a blunt scraper to remove grass and dirt.
- ◆ Check the collection bag frequently for wear or deterioration.
- ◆ When not in use, the appliance should be stored in a dry place. Children should not have access to stored appliances.
- ◆ Replacement fans are available from a Black & Decker service agent. Use only Black & Decker recommended spare parts and accessories.

Additional safety instructions for blower vacs

- ◆ This appliance is not intended for use by persons (including children) with reduced physical, sensory or mental capabilities, or lack of experience and knowledge, unless they have been given supervision or instruction concerning use of the appliance by a person responsible for their safety.
- ◆ Children should be supervised to ensure that they do not play with the appliance.
- ◆ If the supply cord is damaged, it must be replaced by the manufacturer or an authorised Black & Decker Service Centre in order to avoid a hazard.

Symbols



Read the manual prior to operation.



Do not use in the rain or leave outdoors while it is raining.



Switch off: remove plug from mains before cleaning or maintenance.



Wear safety glasses or goggles and ear protection when operating this tool.



Keep bystanders away.

Electrical safety



This tool is double insulated; therefore no earth wire is required. Always check that the power supply corresponds to the voltage on the rating plate.

- ◆ If the supply cord is damaged, it must be replaced by the manufacturer or an authorised Black & Decker Service Centre in order to avoid a hazard
- ◆ Electric safety can be further improved by using a high-sensitivity 30 mA Residual Current Device (RCD).

Extension cables

- ◆ When using the appliance outdoors, only use weather proof extension cables fitted with couplers according to IEC 603320-2-3.
- ◆ Up to 25 m of Black & Decker 1.5 mm HO5WF 3-core extension cable can be used without loss of power.
- ◆ If the supply cord is damaged, it must be replaced by the manufacturer or an authorised Black & Decker Service Centre in order to avoid a hazard.

Features

1. Carrying strap
2. Speed control knob
3. On/off switch
4. Collection bag handle
5. Collection bag
6. Blow clamshell
7. Blow tube
8. Scraper
9. Vacuum tube - lower
10. Vacuum tube - upper
11. Locking ring
12. Release button
13. Powerhead

Assembly

Warning! Before assembly, make sure that the appliance is switched off and unplugged.

Vacuum tube assembly (fig. A)

The vacuum tubes must be assembled together before use.

Warning! Do not operate the appliance with the vacuum tubes separated.

- ◆ To ease assembly, apply a soapy water solution to the joint area.
- ◆ Align the notches (15) and the triangles (14) on the upper (10) and lower (9) vacuum tubes.
- ◆ Push the lower vacuum tube (9) firmly into the upper vacuum tube (10) until the triangles click into place.

Warning! Do not separate the tubes once assembled.

Blow tube assembly (fig. B)

The blow tube must be assembled to the blow clamshell before use.

- ◆ Align the circles (16) on the blow clamshell (6) and the blow tube (7).
- ◆ Push the blow tube (7) firmly onto the blow clamshell (6) until the circles click into place.

Warning! Do not separate the tubes once assembled.

Carrying strap assembly (fig. C - D)

Fit the carrying strap (1) to the appliance and adjust to suit the user.

- ◆ Clip the hook (17) through the eyelet (18).
- ◆ Adjust the length of the loop with the buckle (19).

Use

Switching on and off (fig. E)

Warning! Use both hands to grip the product firmly when switching on.

- ◆ To switch the appliance on, slide the on/off switch (3) forward.
- ◆ To switch the appliance off, slide the on/off switch (3) back.

2-speed control (fig. E)

- ◆ For extra control, your blowvac is fitted with a speed control knob (2) located on the handle of the powerhead.
- ◆ Set the speed control knob (2) to the required speed range. Position I for low-speed, position II for high-speed.

Cable restraint (fig. F)

- ◆ A cable restraint (21) is incorporated into the rear of the powerhead.
- ◆ Loop the cable (20) through the cable restraint (21).

Using your product (fig. G)

Warning! When using as a blower or vacuum, always wear safety glasses. If using in dusty conditions, wear a filter mask as well.

Warning! Switch off your product, allow the fan to stop and remove the plug from the socket before carrying out any adjustment, servicing or maintenance.

Blow mode (fig. G H and I)

Note: Make sure that the locking ring is in the unlocked position (fig. I).

- ◆ Attach the blow clamshell (6) and tube (7) to the powerhead (13) (Fig. G) by locating the blower as indicated by the arrow, then pivot about this point and press the locking/release catch (12) until catch (22) is fully engaged.
- ◆ Turn the locking ring (11) clockwise to the locked position.
- ◆ Hold the blow tube approximately 180mm above the ground, switch on the appliance and using a sweeping motion from side to side, advance slowly keeping the accumulated debris/leaves in front of you (fig. H).
- ◆ Once you have blown the debris/leaves into a pile, you can convert to vacuum mode to collect the debris.

Removing the blow/vacuum tube (fig. I)

- ◆ To disconnect the blow clamshell (6) or vacuum tube (10) from the powerhead (13), turn the locking ring (11) counter-clockwise to the unlock position, then press the release button (12), making sure that the tube does not fall to the ground.
- ◆ The release button (12) will not operate if the locking ring (11) is in the locked position.

Vacuum mode (fig. J - N)

Fit the bag assembly to the blowvac (figs. J, K, L)

- ◆ For vacuuming/shredding, the collection bag (5) must be fitted.
- ◆ Locate the bag rim (23) into the bag holder channel (25) making sure that the front of the bag is placed over the vacuum outlet (24) (fig. J).
- ◆ Slide the bag fully into the channel and press the latch (26) to lock the handle into the bag top (fig. K and L).
- ◆ Position the tube slightly above the debris/leaves. Switch your blowvac on, and use a sweeping motion; the debris/leaves will be sucked up the tube, shredded and thrown into the collection bag (fig. M).
- ◆ For stubborn debris/leaves your vacuum tube is incorporated with a scraper (8). Use the scraper to loosen the debris and continue to vacuum as normal.
- ◆ As the bag fills, the power of the suction will decrease, switch off the blowvac and unplug from the mains power supply.
- ◆ To remove the bag, press the latch (26) to disengage from the bag holder and slide the bag out.
- ◆ To empty, hold the plastic collection bag handle (4) and grab the nylon handle (27) on the underside of the bag. Turn the bag upside down and shake out any debris and leaves.

Troubleshooting

Failure to operate	1	Check the connection to the power supply.
	2	Check the fuse in the plug, if blown, replace (UK only).
	3	Check that the blow/vacuum tube assembly is correctly fitted to the powerhead
	4	If the fuse continues to blow - immediately disconnect from the mains power supply and consult your local Black & Decker authorised repair agent.
	5	Check the locking ring position.
Poor vacuum/high pitched whine	1	Switch off - disconnect from the mains power supply, debris should fall clear of the tube.
	2	Remove and empty the collection bag.
	3	Check that both the inlet and exit ports on the vacuum tube are clear.
	4	Remove any debris from the fan area.
	5	If poor vacuuming continues - immediately disconnect from the mains power supply and consult your local Black & Decker authorised repair agent.
Poor shredding	1	Switch off - disconnect from the mains power supply and remove the collection bag.
	2	Remove the vacuum tube and inspect the fan.
	3	Clean any debris from the fan blades.
	4	If the fan is cracked or damaged, do not use - consult your local Black & Decker authorised repair agent.

Maintenance

Your Black & Decker appliance has been designed to operate over a long period of time with a minimum of maintenance. Continuous satisfactory operation depends upon proper appliance care and regular cleaning.

- ◆ Keep the appliance clean and dry.
- ◆ Remove any leaves stuck to the inside of the vacuum tube.
- ◆ Regularly clean the ventilation slots with a clean, dry paint brush.

- ◆ To clean the appliance, use only mild soap and a damp cloth. Never let any liquid get inside the tool and never immerse any part of the tool into liquid. Do not use any abrasive or solvent-based cleaner.
- ◆ Self lubricating bearings are used in your product, therefore lubrication is not required.

Mains plug replacement (U.K. & Ireland only)

If a new mains plug needs to be fitted:

- ◆ Safely dispose of the old plug.
- ◆ Connect the brown lead to the live terminal in the new plug.
- ◆ Connect the blue lead to the neutral terminal.

Warning! No connection is to be made to the earth terminal. Follow the fitting instructions supplied with good quality plugs. Recommended fuse: 13 A.

Protecting the environment



Separate collection. This product must not be disposed of with normal household waste.

Should you find one day that your Black & Decker product needs replacement, or if it is of no further use to you, do not dispose of it with household waste. Make this product available for separate collection.



Separate collection of used products and packaging allows materials to be recycled and used again. Re-use of recycled materials helps prevent environmental pollution and reduces the demand for raw materials.

Local regulations may provide for separate collection of electrical products from the household, at municipal waste sites or by the retailer when you purchase a new product.

Black & Decker provides a facility for the collection and recycling of Black & Decker products once they have reached the end of their working life. To take advantage of this service please return your product to any authorised repair agent who will collect them on our behalf.

You can check the location of your nearest authorised repair agent by contacting your local Black & Decker office at the address indicated in this manual. Alternatively, a list of authorised Black & Decker repair agents and full details of our after-sales service and contacts are available on the Internet at: www.2helpU.com.

Technical data

GW3010	
Voltage	Vac 230
Power input	W 3000
Capacity	l 35
Weight (blower)	kg 3.4
Weight (vacuum)	kg 4.76

EC declaration of conformity

GW3010

Black & Decker declares that these products conform to: 98/37/EC, 2006/95/EEC, 2000/14/EC, EN55014, EN55104, EN60335

Leaf blower/collector = 11m³/min, Annex V

Hand/arm weighted vibration value according to EN ISO 5329: 12m/s²

Level of sound pressure measured according to 2000/14/EC:

Sound pressure (L_{pA}) 92 dB(A)

Acoustic power (L_{WA}) 105 dB(A)

Guaranteed (L_{WA}) 107 dB(A)

The undersigned is responsible for compilation of the technical file and makes this declaration on behalf of
Black & Decker

Kevin Hewitt
Director of Consumer Engineering
Spennymore, County Durham DL16 6JG,
United Kingdom
08-08-2008

Design and Patent information

European patent numbers: EP 0 723 758 B, EP 0 723 759 B and EP 1 430 825 B

European patent application number: EP 1 442 653 A

EC design registration numbers: 69750-0002, 69760-0003 and 712922-0001

US patent numbers: 5673457, 5604954 and 7266860

US patent application number: 2005/0177973

US design patent number: D498885

Guarantee

Black & Decker is confident of the quality of its products and offers an outstanding guarantee. This guarantee statement is in addition to and in no way prejudices your statutory rights. The guarantee is valid within the territories of the Member States of the European Union and the European Free Trade Area.

If a Black & Decker product becomes defective due to faulty materials, workmanship or lack of conformity, within 24 months from the date of purchase, Black & Decker guarantees to replace defective parts, repair products subjected to fair wear and tear or replace such products to make sure of the minimum inconvenience to the customer unless:

- ◆ The product has been used for trade, professional or hire purposes.
- ◆ The product has been subjected to misuse or neglect.
- ◆ The product has sustained damage through foreign objects, substances or accidents.
- ◆ Repairs have been attempted by persons other than authorised repair agents or Black & Decker service staff.

To claim on the guarantee, you will need to submit proof of purchase to the seller or an authorised repair agent. You can check the location of your nearest authorised repair agent by contacting your local Black & Decker office at the address indicated in this manual. Alternatively, a list of authorised Black & Decker repair agents and full details of our after-sales service and contacts are available on the Internet at:

www.2helpU.com

Please visit our website **www.blackanddecker.co.uk** to register your new Black & Decker product and to be kept up to date on new products and special offers. Further information on the Black & Decker brand and our range of products is available at **www.blackanddecker.co.uk**.

Australia

Black & Decker (Australia) Pty. Ltd.
20 Fletcher Road, Mooroolbark,
Victoria, 3138

Tel. 03-8720 5100
Fax 03-9727 5940

New Zealand

Black & Decker
5 Te Apunga Place
Mt Wellington
Auckland 1060

Tel. +64 9 259 1133
Fax +64 9 259 1122

United Kingdom

Black & Decker
210 Bath Road
Slough, Berkshire SL1 3YD

Tel. 01753 511234
Fax 01753 551155
Helpline 01753 574277