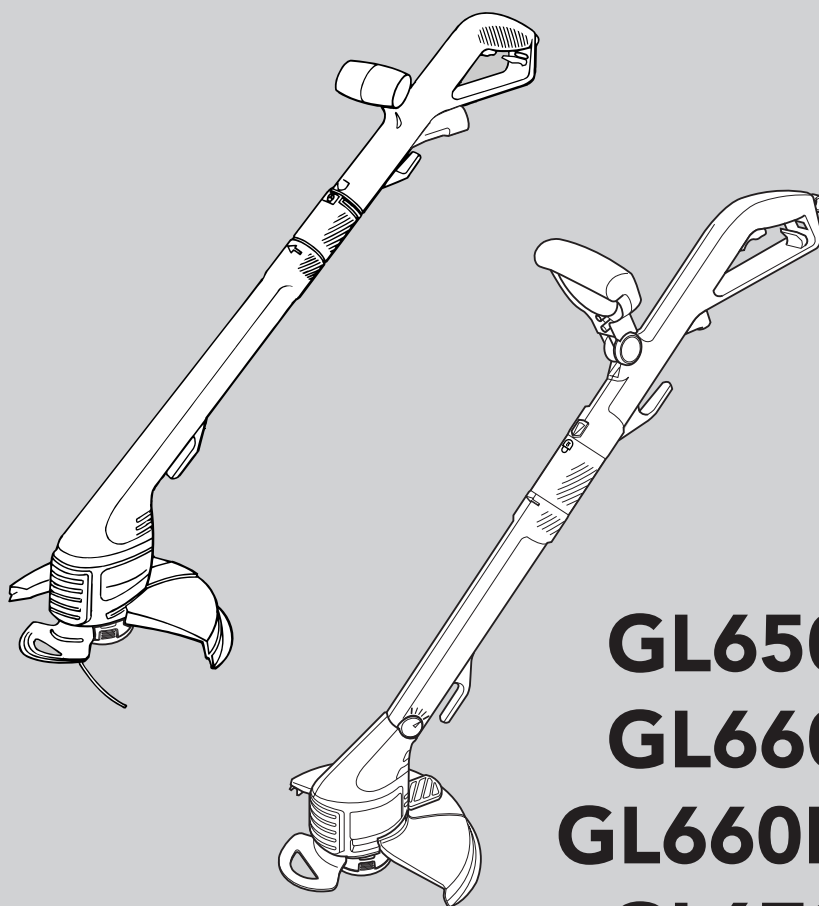




 **BLACK &
DECKER**®

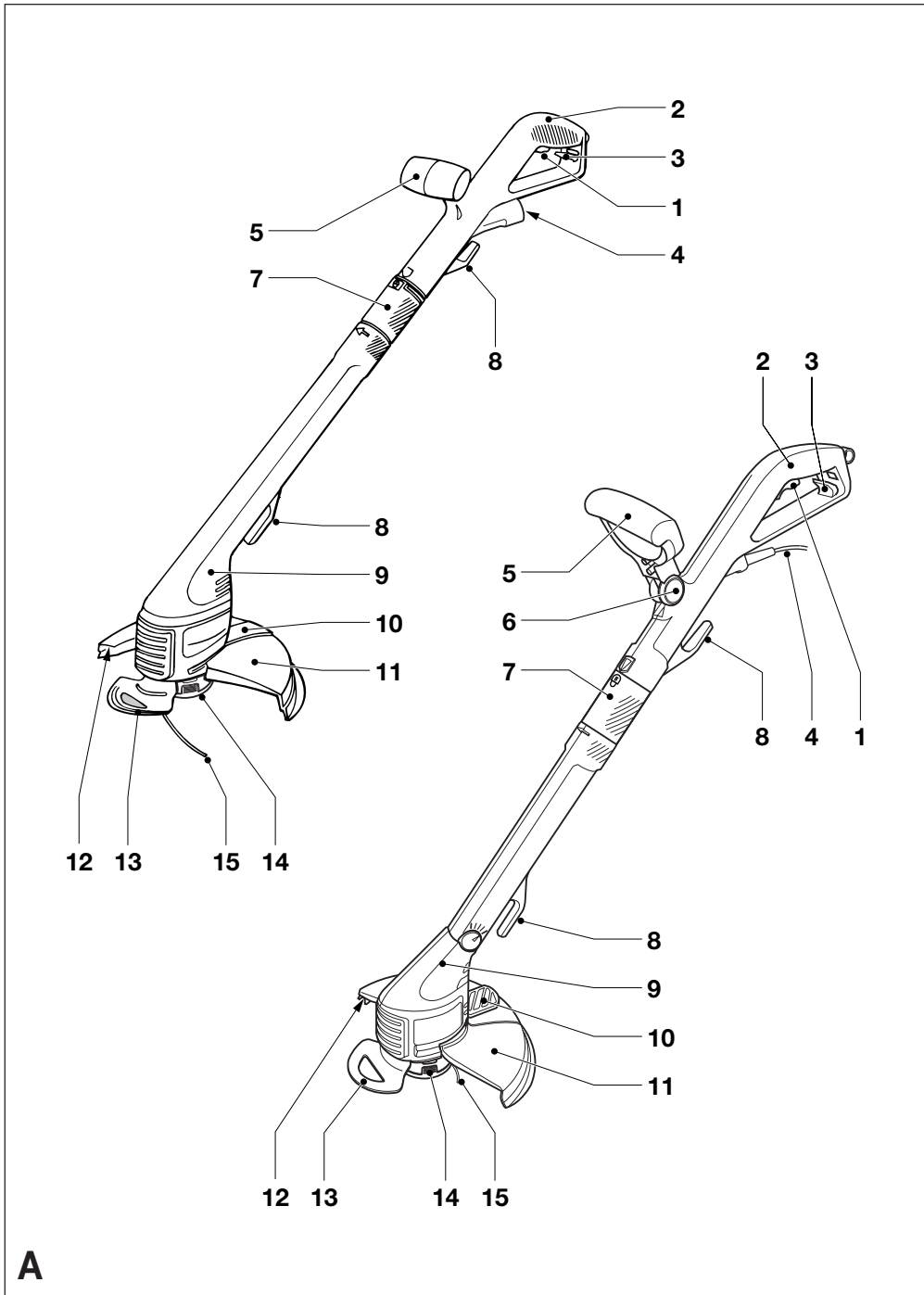


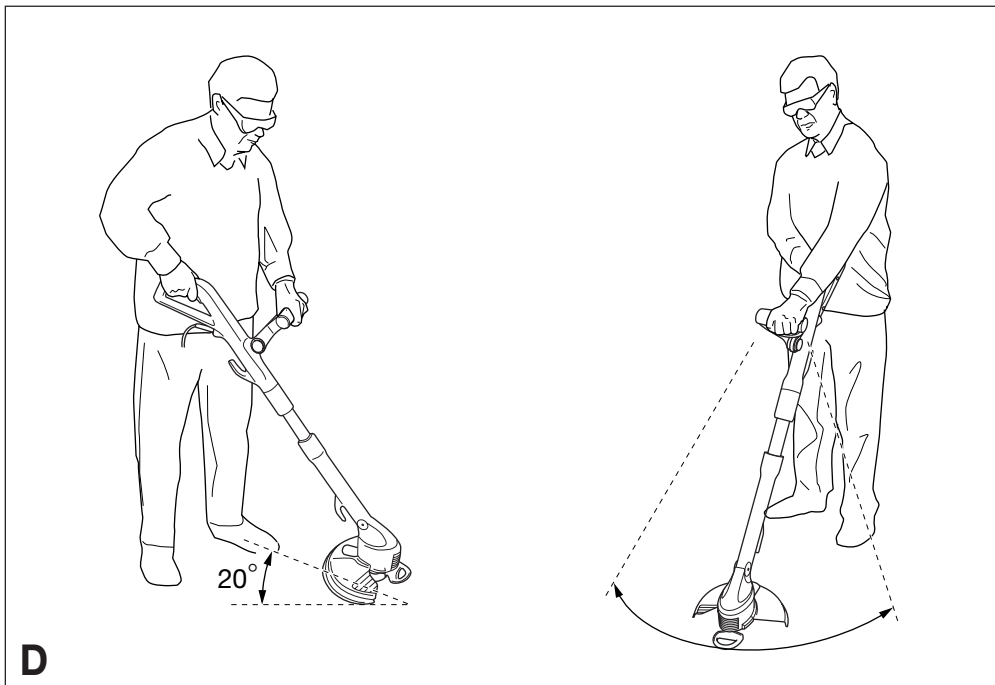
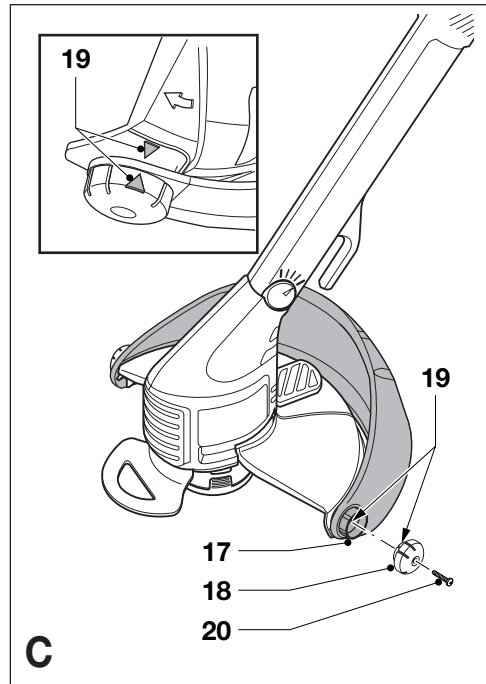
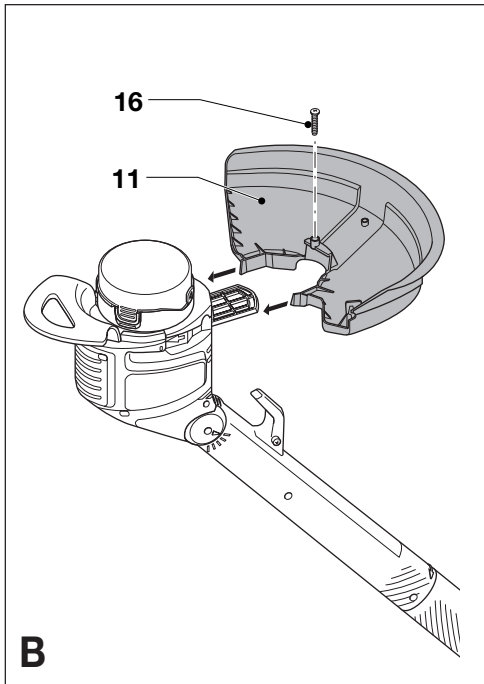
GL650
GL660
GL660P
GL670
GL670P



Copyright Black & Decker

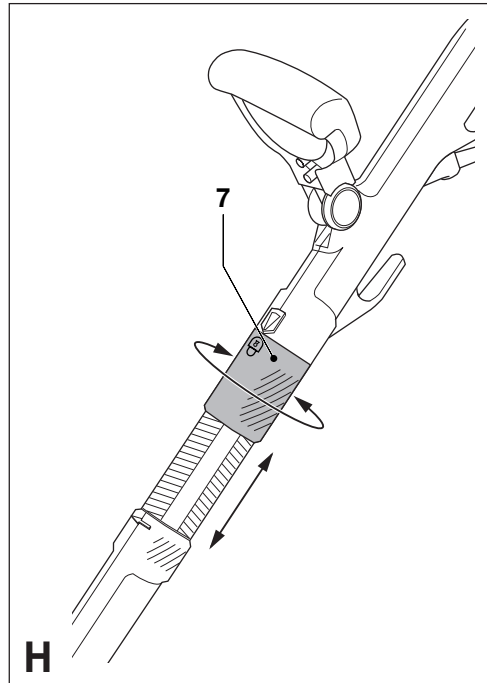
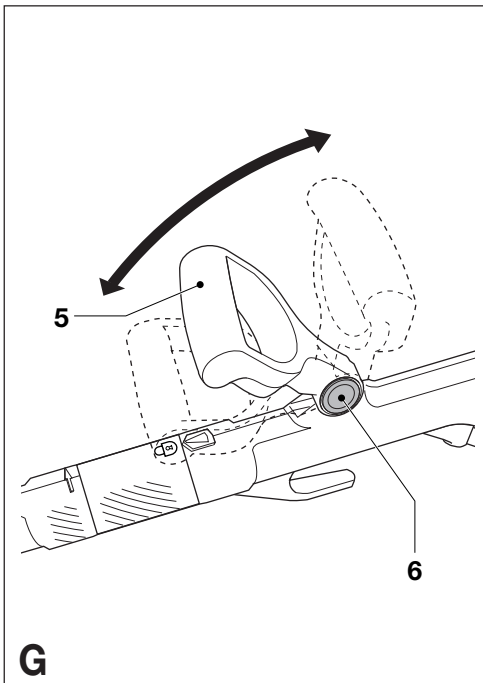
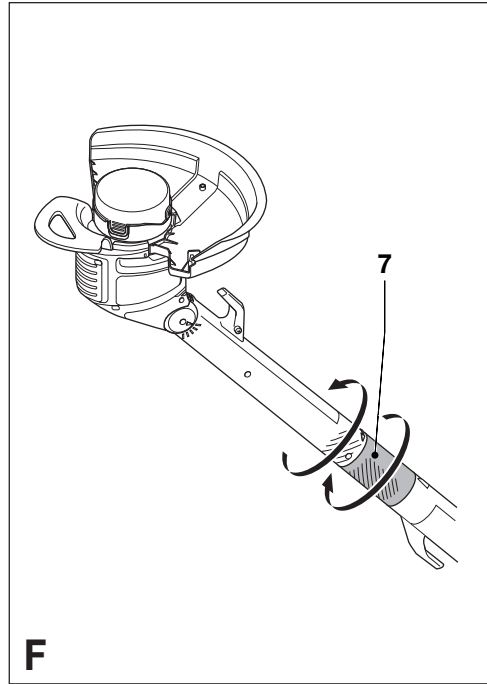


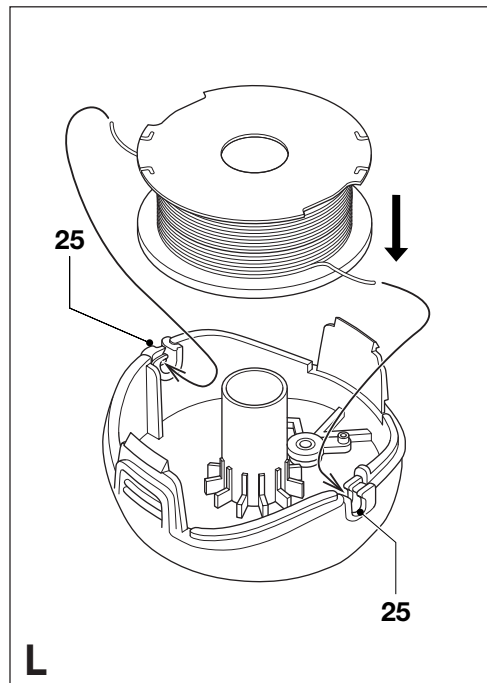
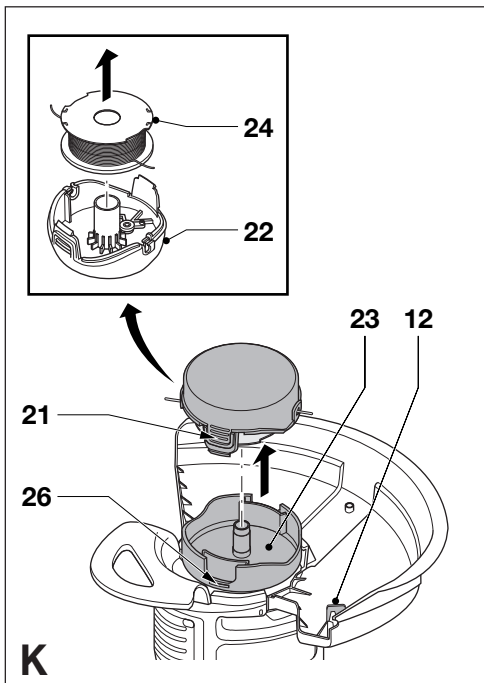
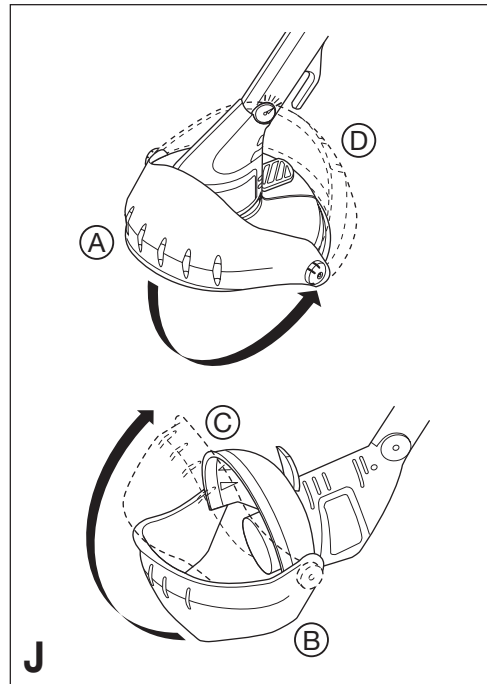
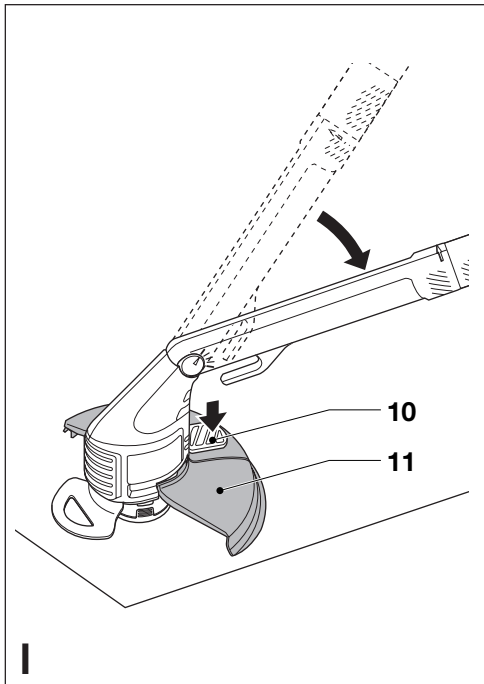




4

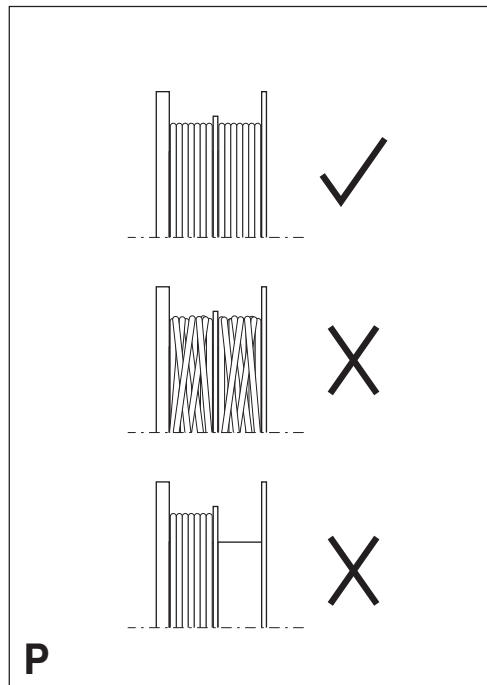
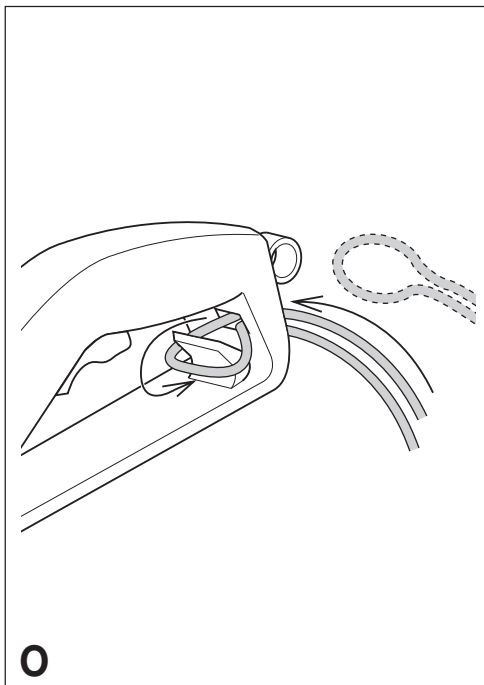
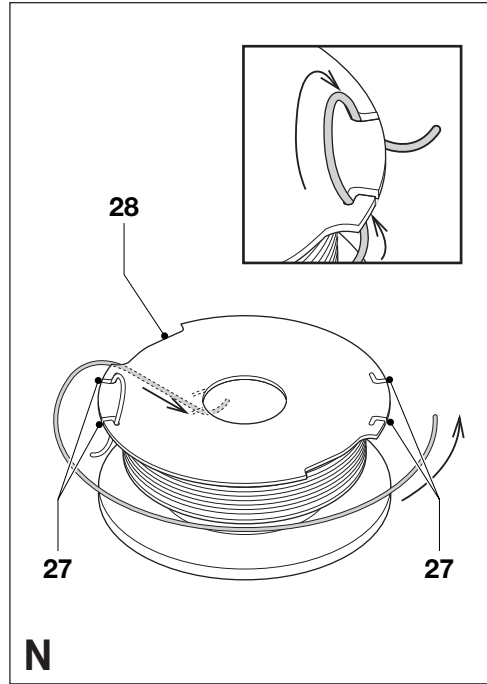
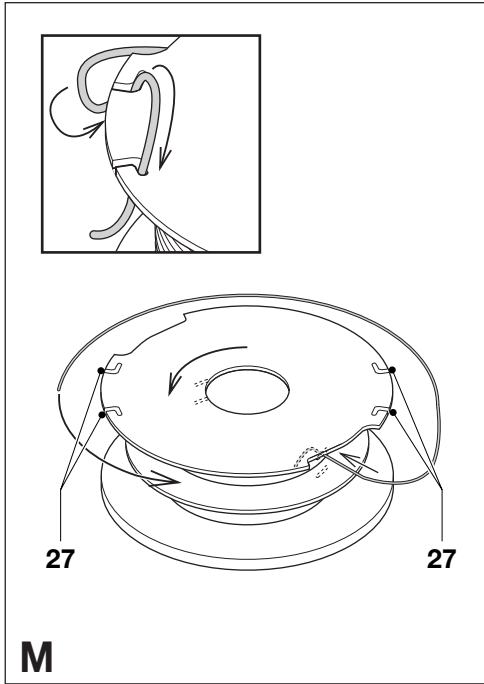






6








ENGLISH

GRASS TRIMMER GL650/GL660/GL660P/GL670/GL670P

CONGRATULATIONS!


You have chosen a Black & Decker tool. Our aim is to provide quality tools at an affordable price. We hope that you will enjoy using this tool for many years.

EC DECLARATION OF CONFORMITY

 GL650/GL660/GL660P/GL670/GL670P
Black & Decker declares that these products conform to: 98/37/EC, 89/336/EEC, 73/23/EEC, EN 60335, EN 55014, EN 61000

Level of sound pressure, measured according to 84/538/EEC:

		GL650	GL660	GL670
			GL660P	GL670P
L_{pA} (sound pressure)	dB(A)	83	83	83
L_{WA} (acoustic power)	dB(A)	96	96	96

 Always wear ear protection if the sound pressure exceeds 85 dB(A).

Hand/arm weighted vibration value according to 98/37/EC:

GL650	GL660	GL660P	GL670	GL670P
< 2.5 m/s ²	< 2.5 m/s ²	< 2.5 m/s ²	< 2.5 m/s ²	< 2.5 m/s ²

Brian Cooke
Director of Engineering
Spennymoor, County Durham DL16 6JG,
United Kingdom

INTENDED USE

Your Black & Decker grass trimmer GL650/GL660/GL660P/GL670/GL670P has been designed for trimming and finishing lawn edges and to cut grass in confined spaces.

This tool is intended for consumer use only.

SAFETY INSTRUCTIONS

Warning symbols

The following symbols are used in this manual:



Denotes risk of personal injury, loss of life or damage to the tool in case of non-observance of the instructions in this manual.



Denotes risk of electric shock.



Read the manual prior to operation.

Know your appliance



- ◆ **Warning!** When using mains-powered appliances, basic safety precautions, including the following, should always be followed to reduce the risk of fire, electric shock and personal injury.
- ◆ Read all of this manual carefully before operating the appliance.
- ◆ Before operating the appliance, make sure that you know how to switch it off in an emergency.
- ◆ The intended use is described in this manual. The use of any accessory or attachment or performance of any operation with this appliance other than those recommended in this instruction manual may present a risk of personal injury.



ENGLISH

- ◆ Retain this manual for future reference.

Work area

- ◆ Do not expose the appliance to rain. Do not use the appliance in damp or wet conditions.
- ◆ Only use the appliance in daylight or good artificial light.

Personal protection

- ◆ Wear stout shoes or boots to protect your feet. Do not operate the appliance wearing open-toed sandals or when barefoot.
- ◆ Wear long trousers to protect your legs.

Using your appliance

- ◆ Be sure that the appliance is switched off when plugging in.
- ◆ Stay alert. Watch what you are doing. Use common sense.
- ◆ Do not operate the appliance when you are tired.
- ◆ If the appliance begins to vibrate abnormally, switch it off and remove the plug from the socket. Allow rotating parts to stop and inspect the appliance for damage and loose parts.
- ◆ Never pull the cord to disconnect the plug from the socket. Keep the cord away from heat, oil and sharp edges.
- ◆ If the mains cable is damaged during use, switch the appliance off and disconnect the plug from the mains immediately. **Do not touch the mains cable before disconnecting from the mains.**

Safety of others

- ◆ Do not allow children or any person unfamiliar with these instructions to operate the appliance.
- ◆ Do not allow children, visitors or animals to come near the work area or to touch the appliance or mains cable.
- ◆ Remember that the operator may be held responsible for accidents or hazards occurring to other people or their property.

After use

- ◆ Switch off, remove the plug from the socket and ensure that moving parts have stopped rotating before leaving the appliance unattended and before changing, cleaning or inspecting any parts of the appliance.
- ◆ When not in use, the appliance should be stored in a dry place. Children should not have access to stored appliances.

Inspection and repairs

- ◆ Before use, check the appliance for damaged or defective parts. Check for misalignment and seizure of moving parts, breakage of parts, damage to guards and switches and any other conditions that may affect its operation.
- ◆ Do not use the appliance if any part is damaged or defective. Do not use the appliance if the switch does not turn it on and off.
- ◆ Never use the appliance when any guard or enclosure is damaged or not in place.
- ◆ Ensure that the appliance will operate properly and perform its intended function.
- ◆ Have any damaged or defective parts repaired or replaced by an authorised repair agent.
- ◆ Before use, check the mains cable for signs of damage, ageing and wear.
- ◆ Do not use the appliance if the mains cable is damaged or defective.
- ◆ If the mains cable is damaged or defective it must be repaired by an authorised repair agent to avoid a hazard.
- ◆ Never attempt to remove or replace any parts other than those specified in this manual.

Additional safety instructions for grass trimmers

The following warning symbols are found on the appliance:



Wear safety glasses or goggles when operating this tool.



The cutting line will continue to run for a few seconds after switching the appliance off. Never attempt to force the line to come to a standstill.





ENGLISH



Keep people and animals at least 6 m away from the cutting area.



Do not expose the appliance to rain or high humidity.



Switch off, remove the plug from the socket and ensure that moving parts have stopped rotating before leaving the appliance unattended and before changing, cleaning or inspecting any parts of the appliance.

- ◆ Before using the appliance, check that your cutting path is free from sticks, stones, wire and any other objects.
- ◆ Only use the appliance in the correct position, with the cutting line near the ground, as shown in the illustrations. Never switch the appliance on in any other position.
- ◆ Switch on the appliance only when hands and feet are away from the cutting line.
- ◆ Avoid body contact with the cutting line while the appliance is running.
- ◆ Do not work on steep slopes. Be sure of your footing. Be aware that freshly cut grass is damp and slippery.
- ◆ Take care when trimming near borders and gravel paths or roads, as stones and soil may be moved by the cutting line.
- ◆ Do not put the appliance down until the cutting line has come to a complete standstill.
- ◆ Use only the appropriate type of Black & Decker cutting line. Never use metal cutting line or fishing line.
- ◆ Take care to avoid injury from the line trimming blade. Do not touch the blade. After extending new cutting line, always return the appliance to its normal operating position before switching on.
- ◆ Take care to keep the mains cable away from the cutting line. Always be aware of the position of the cable.

ELECTRICAL SAFETY

The appliance has been designed for one voltage only. Always check that the power supply corresponds to the voltage on the rating plate.



This appliance is designed for use on AC (mains) power supplies only. Do not attempt to use on any other supply.



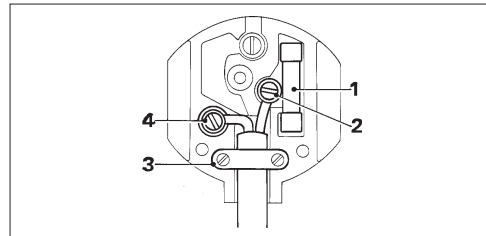
This appliance is double insulated in accordance with EN 60335; therefore no earth wire is required.

- ◆ Prevent body contact with earthed or grounded surfaces (e.g. metal railings, lamp-posts etc.).
- ◆ Electric safety can be further improved by using a high-sensitivity (30 mA / 30 mS) residual current device (RCD).

Replacement of the supply cord (Australia & New Zealand)

If the supply cord is damaged, it must be replaced by the manufacturer or an authorised Black & Decker Service Centre in order to avoid a hazard.

Mains plug replacement (U.K. & Ireland only)



- ◆ Should your mains plug need replacing and you are competent to do this, proceed as instructed below. If you are in doubt, contact an authorised repair agent or a qualified electrician.
- ◆ Disconnect the plug from the supply and remove the fuse from the plug.
- ◆ Cut off the plug and dispose of it safely; a plug with bared copper conductors is dangerous if engaged in a live socket outlet.
- ◆ Only fit 13 Amperes BS1363A approved plugs fitted with the correctly rated fuse (1). Use 5 Amperes fuses.





ENGLISH

- ◆ The cable wire colours, or a letter, will be marked at the connection points of most good quality plugs. Attach the wires to their respective points in the plug (see above). Brown is for Live (L) (2), blue is for Neutral (N) (4).
- ◆ Before replacing the top cover of the mains plug ensure that the cable restraint (3) is holding the outer sheath of the cable firmly and that the leads are correctly fixed at the terminal screws.
- ◆ If the plug has a fuse cover, make sure that the fuse cover is fitted. Do not use the plug if the fuse cover is missing or damaged.



Never use a light socket.

Using an extension cable

Always use an approved extension cable suitable for the power input of this appliance (see rating plate). The extension cable must be suitable for outdoor use.

- ◆ Before use, inspect the cable for signs of damage, wear and ageing. Replace the extension cable if damaged or defective.
- ◆ When using a cable reel, always unwind the cable completely.
- ◆ Take care to keep the cable away from the cutting line. Always be aware of the position of the cable.

CARTON CONTENTS

The carton contains:

- 1 Grass trimmer
 - 1 Guard with mounting screw
 - 1 Plant protector incl. parts pack (GL660P/GL670P only)
 - 1 Instruction manual
- ◆ Carefully unpack all parts.

OVERVIEW (fig. A)

1. On/off switch
2. Handle
3. Cable restraint
4. Power inlet (not for UK)
5. Secondary handle
6. Handle button (GL670/GL670P)

7. Locking ring
8. Cable storage hooks
9. Motor housing
10. Pedal (GL670/GL670P)
11. Guard
12. Line trimming blade
13. Edge guide
14. Spool housing
15. Cutting line

ASSEMBLY



Before assembly, make sure that the tool is switched off and unplugged.

Fitting the guard (fig. B)

- ◆ Unplug the tool.
- ◆ Remove the screw (16) from the housing.
- ◆ Place the guard (11) onto the tool as shown.
- ◆ Firmly press the guard until it snaps into place.
- ◆ Secure the guard with the screw (16).



Never use the tool unless the guard is properly fitted.

Releasing the cutting line (fig. A)

In transit, the cutting line is taped to the spool housing.

- ◆ Remove the tape holding the cutting line (15) to the spool housing (14).

Fitting the plant protector (fig. C)

The plant protector is supplied as a standard accessory with the GL660P & GL670P. For other models, it is available as an optional accessory.

- ◆ Place the plant protector (17) over the guard as shown. Make sure that the orientation is correct.
- ◆ Place the two plastic caps (18) onto the plant protector, aligning any of the marks (19) on the caps with those on the guard (11).
- ◆ Secure the caps using the screws (20). Do not overtighten the screws.



Wait until the cutting line has come to a standstill before adjusting the plant protector.





ENGLISH

USE



Let the tool work at its own pace. Do not overload.

Setting the tool to trimming or edging mode (fig. D, E & F)

The tool can be used in trimming mode as shown in fig. D or in edging mode to trim overhanging grass along lawn edges and flower beds as shown in fig. E.

Trimming mode (fig. D & F)

For trimming, the trimmer head should be in the position shown in fig. D. If it is not:

- ◆ Turn the locking ring (7) counterclockwise.
- ◆ Rotate the trimmer body counterclockwise until the trimmer head engages in the trimming position.
- ◆ Tighten the locking ring by turning it clockwise.

Edging mode (fig. E & F)

For edging, the trimmer head should be in the position shown in fig. E. If it is not:

- ◆ Turn the locking ring (7) counterclockwise.
- ◆ Rotate the trimmer body clockwise until the trimmer head engages in the edging position.
- ◆ Tighten the locking ring by turning it clockwise.

GL670/GL670P - Adjusting the position of the secondary handle (fig. A & G)

The secondary handle can be adjusted to provide optimum balance and comfort.

- ◆ Let the guard (11) rest on the ground.
- ◆ While keeping the handle button (6) depressed, move the handle (5) into the desired position.
- ◆ Release the handle button.

GL660/GL660P/GL670/GL670P - Adjusting the height of the tool (fig. A & H)

This tool has a telescopic body, allowing you to set it to a comfortable height.

- ◆ Let the guard (11) rest on the ground.
- ◆ Turn the locking ring (7) counterclockwise.
- ◆ Move the switch handle up or down to the desired height.
- ◆ Tighten the locking ring by turning it clockwise.

GL670/GL670P - Adjusting the trimmer head angle (fig. I)

The adjustable trimmer head angle allows you to set the optimum trimming angle regardless of your length. It also allows you to trim under benches and shrubs.

- ◆ Let the guard (11) rest on the ground.
- ◆ Keeping the pedal (10) depressed with your foot, move the switch handle up or down as required.
- ◆ Release the pedal.

Switching on and off (fig. A)

- ◆ To switch the tool on, push the on/off switch (1).
- ◆ To switch the tool off, release the on/off switch.



Never attempt to lock a switch in the on position.

Hints for optimum use

Trimming

- ◆ Hold the tool as shown in fig. D.
- ◆ Gently swing the trimmer from side to side as shown in fig. D.
- ◆ When cutting long grass, work in stages from the top. Take small cuts.
- ◆ Keep the tool away from hard objects and delicate plants.
- ◆ If the tool starts running slowly, reduce the load.

Edging

Optimum cutting results are achieved on edges deeper than 50 mm.

- ◆ Do not use the tool to create edges. To create edges, use an edging spade.
- ◆ Guide the tool as shown in fig. E. Keep the edge guide against the lawn edge.
- ◆ To make a closer cut, slightly tilt the tool.

General

- ◆ In order to achieve optimum cutting results, only cut dry grass.

GL660P/GL670P - Using the plant protector (fig. J)

The plant protector will help you to protect plants while trimming along lawn edges.





ENGLISH

- ◆ In trimming mode, set the plant protector to position A.
- ◆ In edging mode, set the plant protector to position B or C.
- ◆ When there are no plants near the cutting area, set the plant protector to position D.

MAINTENANCE

Your Black & Decker tool has been designed to operate over a long period of time with a minimum of maintenance. Continuous satisfactory operation depends upon proper tool care and regular cleaning.



Before performing any maintenance, switch off and unplug the tool.

- ◆ Regularly clean the ventilation slots in your tool using a soft brush or dry cloth.
- ◆ Regularly clean the cutting line and spool using a soft brush or dry cloth.
- ◆ Regularly use a blunt scraper to remove grass and dirt from the underneath of the guard.

Fitting a new spool of cutting line (fig. K & L)

Replacement spools of cutting line are available from your Black & Decker dealer (cat. no. A6441). Complete cassettes containing a spool of cutting line are also available (cat. no. A6442).

- ◆ Unplug the tool.
- ◆ Keep the tabs (21) depressed and remove the spool cover (22) from the housing (23) (fig. K).
- ◆ Remove the empty spool (24) from the spool cover.
- ◆ Remove any dirt and grass from the spool cover and housing.
- ◆ Take the new spool and push it onto the boss in the spool cover. Rotate the spool slightly until it is seated.
- ◆ Unclip the end of one of the cutting lines and guide the line into one of the eyelets (25) (fig. L). The line should protrude approx. 9 cm from the spool cover.
- ◆ Unclip the end of the other cutting line and guide the line into the other eyelet. The line should protrude approx. 9 cm from the spool cover.

- ◆ Align the tabs (21) on the spool cover with the holes (26) in the housing (fig. K).
- ◆ Push the cover onto the housing until it snaps securely into place.



If the cutting lines protrude beyond the trimming blade (12), cut them off so that they just reach the blade.



Your Black & Decker grass trimmer uses a specific grade of cutting line to ensure correct auto-feed operation and optimum performance. The use of incorrect Black & Decker line or the use of other than Black & Decker line may damage the auto-feed mechanism and will void the warranty.

Winding new line onto an empty spool (fig. M, N & P)

You may wind new cutting line onto an empty spool. Replacement packs of cutting line are available from your Black & Decker dealer (cat. no. A6440).

- ◆ Remove the empty spool from the tool as described above.
- ◆ Remove any remaining cutting line from the spool.
- ◆ First wind new line onto the uppermost part of the spool:
 - Feed 2 cm of cutting line into one of the slots in the upper section of the spool as shown.
 - Wind the cutting line onto the spool in the direction of the arrow. Make sure to wind the line on neatly and in layers. Do not criss-cross.
 - When the wound cutting line reaches the recesses (28), cut the line.
 - Temporarily park the line in the slots (27) on one side of the spool as shown.
- ◆ Repeat the above procedure for the second cutting line on the lower section of the spool. Park the line in the unused slots (27).
- ◆ Proceed as described above to fit the spool on the tool. Do not forget to release the cutting line from the parking slots (27).





ENGLISH



Only use the appropriate type of Black & Decker cutting line. Ensure that cutting line is present in both sections of the spool (fig. P).

TROUBLESHOOTING

If your tool seems not to operate properly, follow the instructions below. If this does not solve the problem, please contact your local Black & Decker repair agent.



Before proceeding, unplug the tool.

Tool runs slowly

- ◆ Check that the spool housing can rotate freely. Carefully clean it if necessary.
- ◆ Check that the cutting line does not protrude more than 9 cm from the spool housing. If it does, cut it off so that it just reaches the line trimming blade.

Automatic line feed does not work

- ◆ Keep the tabs depressed and remove the spool cover from the housing.
- ◆ Pull the cutting line until it protrudes 9 cm from the housing. If insufficient cutting line is left on the spool, install a new spool of cutting line as instructed above.
- ◆ Align the tabs on the spool cover with the holes in the housing.
- ◆ Push the cover onto the housing until it snaps securely into place.
- ◆ If the cutting line protrudes beyond the trimming blade, cut it off so that it just reaches the blade.

If the automatic line feed still does not work or the spool is jammed, try the following suggestions:

- ◆ Carefully clean the spool cover and housing.
- ◆ Remove the spool and check if the lever can move freely.
- ◆ Remove the spool and unwind the cutting line, then wind it on neatly again as described above. Replace the spool as instructed.

PROTECTING THE ENVIRONMENT



Should you find one day that your tool needs replacement, or if it is of no further use to you, think of the protection of the environment. Black & Decker repair agents will accept old Black & Decker tools and ensure that they are disposed of in an environmentally safe way.

GUARANTEE

The Black & Decker lawn and garden guarantee provides: 36 months parts and 12 months labour cover in the UK, 24 months parts and labour cover in South Africa, Australia and New Zealand. Proof of purchase will be required.

Should your Black & Decker product become defective within the guarantee period due to faulty materials or workmanship, we guarantee to either replace all defective parts or -at our discretion- to replace the unit free of charge, provided that:

- ◆ The product is returned to us or one of our authorised repair agents with proof of purchase.
- ◆ The product has been used within the parameters of its consumer classification.
- ◆ The product has not been used for hire purposes.
- ◆ Repairs have not been attempted by anyone other than our authorised repair agents.
- ◆ The failure represents normal wear and tear.

This guarantee is offered as an extra benefit and does not affect your statutory rights.

The guarantee policy

The following failures are not covered by the above guarantee:

- ◆ Replacing worn or damaged blades, nylon lines, chains and power cables. These items are regarded as replacement items which wear during normal usage.
- ◆ Failures as a result of sudden impact or obvious abuse.
- ◆ Failures due to usage not in accordance with instructions and recommendations contained in this manual.





ENGLISH

The use of other than genuine Black & Decker accessories and parts may cause decreased performance or damage to the product and will render the guarantee void.

AFTER SALES SERVICE

Full details on our after-sales service are available on the Internet at www.2helpU.com. Alternatively, contact our Service and Information Centre at the address towards the back of this manual.

It is our aim that all Black & Decker customers should be totally satisfied with their Black & Decker product and our after sales service. If any help or advice is needed, please contact your local Black & Decker repair agent.

If your product needs repair, please take or send it to an authorised repair agent, providing proof of purchase if claiming a guarantee repair. Black & Decker offers a nationwide network of authorised repair agents.

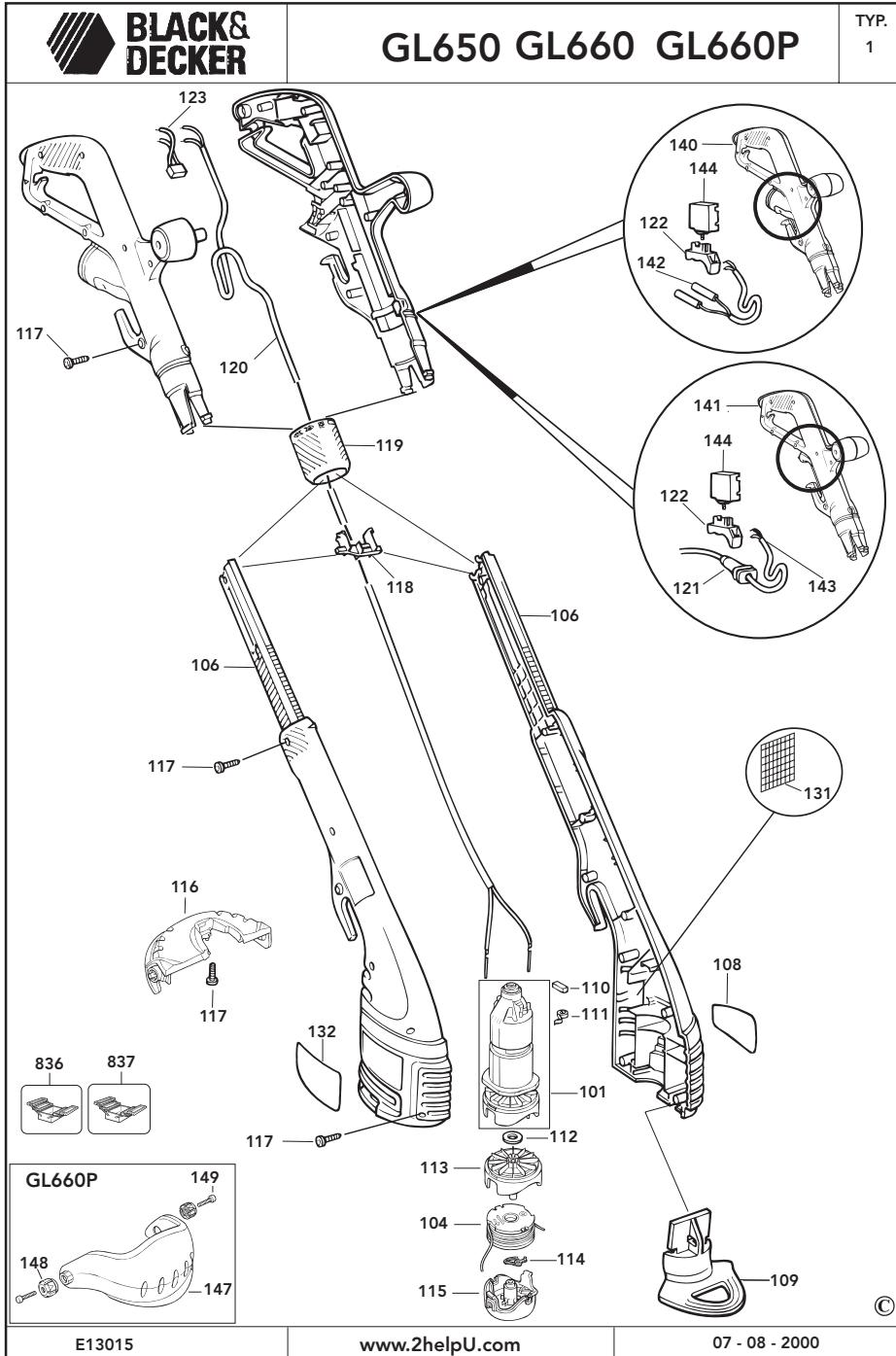
Full details on our after sales service can be obtained from any of our authorised repair agents.

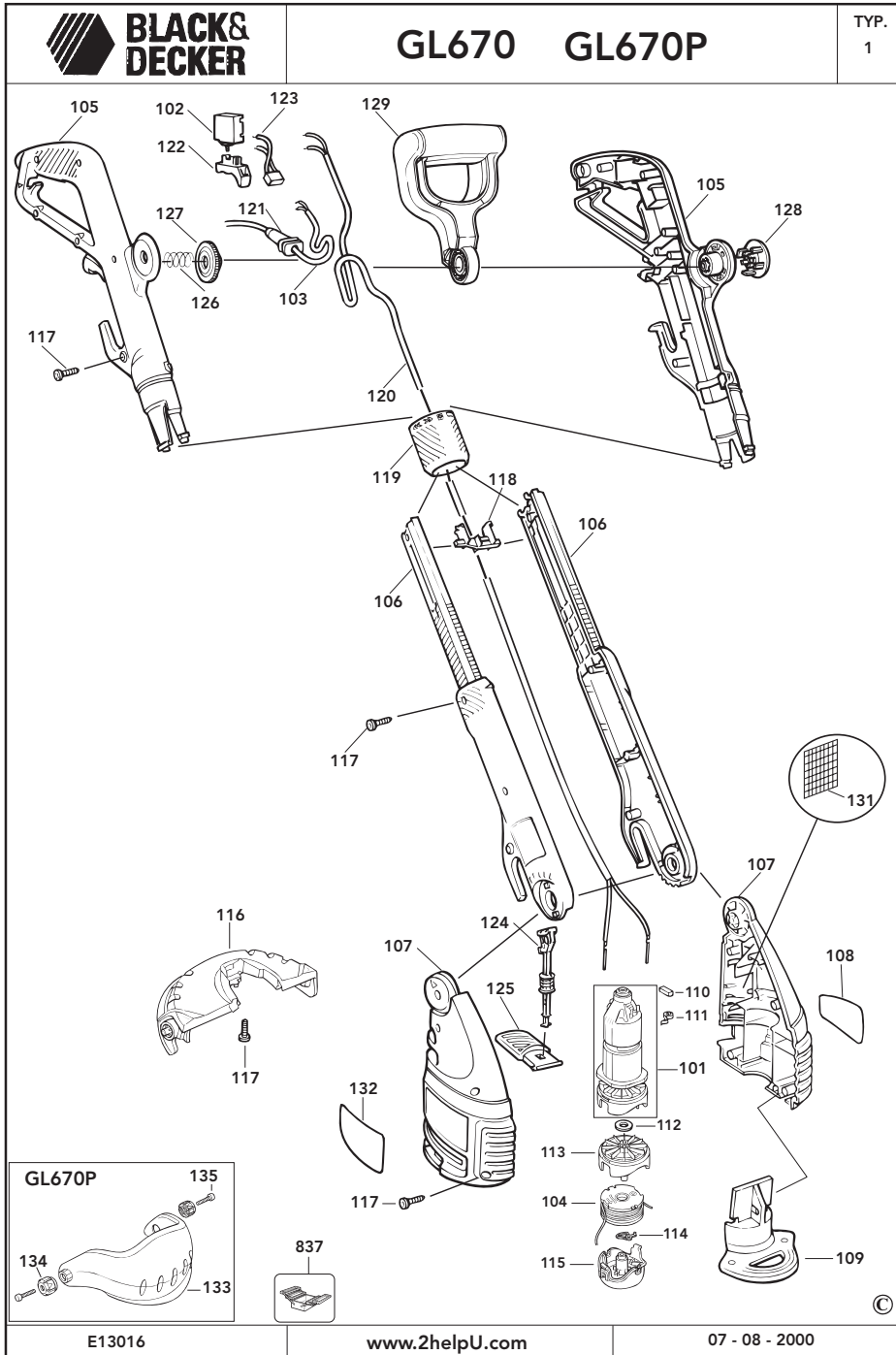
OTHER OUTDOOR TOOLS

Black & Decker has a full range of outdoor power tools that make life in the garden easy. If you would like further information on the following products, please contact our Service and Information Centre (see the address page towards the end of this manual) or your local Black & Decker retailer.

String trimmers	Chainsaws
Cordless shear	Hedgetrimmers
Lawnmowers	Lawnrakers
Leafbusters	Shredders

Not all products are available in all countries.







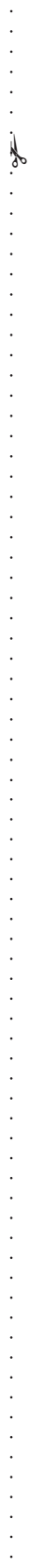
Australia	DeWALT Industrial Power Tool Company 7 Clarice Road Box Hill, Victoria 3128	Tel. 03 9895 9200 Fax 03 9899 7465
New Zealand	Black & Decker 81 Hugo Johnson Drive Penrose, Auckland, New Zealand	Tel. 09 579 7600 Fax 09 579 8200
South Africa	Black & Decker South Africa (Pty) Ltd Physical address: 146 Lechwe Street Corporate park Randjiesfontein, Midrand Postal address: Postnet Suite 107, Private Bag X65 Halfway House 1685	Tel. (011) 653-1400 Fax (011) 653-1499
United Kingdom	Black & Decker 210 Bath Road Slough, Berkshire SL1 3YD	Tel. 01753 511234 Fax 01753 551155 Helpline 01753 574277





Dealer address

Date of purchase



Name:

Address:

Town:

Postal code:

Was this tool bought as a replacement?

Yes
 No

Was this tool a gift?

Yes
 No

Was this tool your first purchase?

Yes
 No

Dealer address:

Data protection act:
 Tick the box if you prefer not to receive further information.





GUARANTEE CARD



Please complete this section immediately after the purchase of your tool and send it to Black & Decker in your country. If you live in Australia or New Zealand, please register by using the alternative guarantee card supplied.



806620-09

GL650_UK.PM5